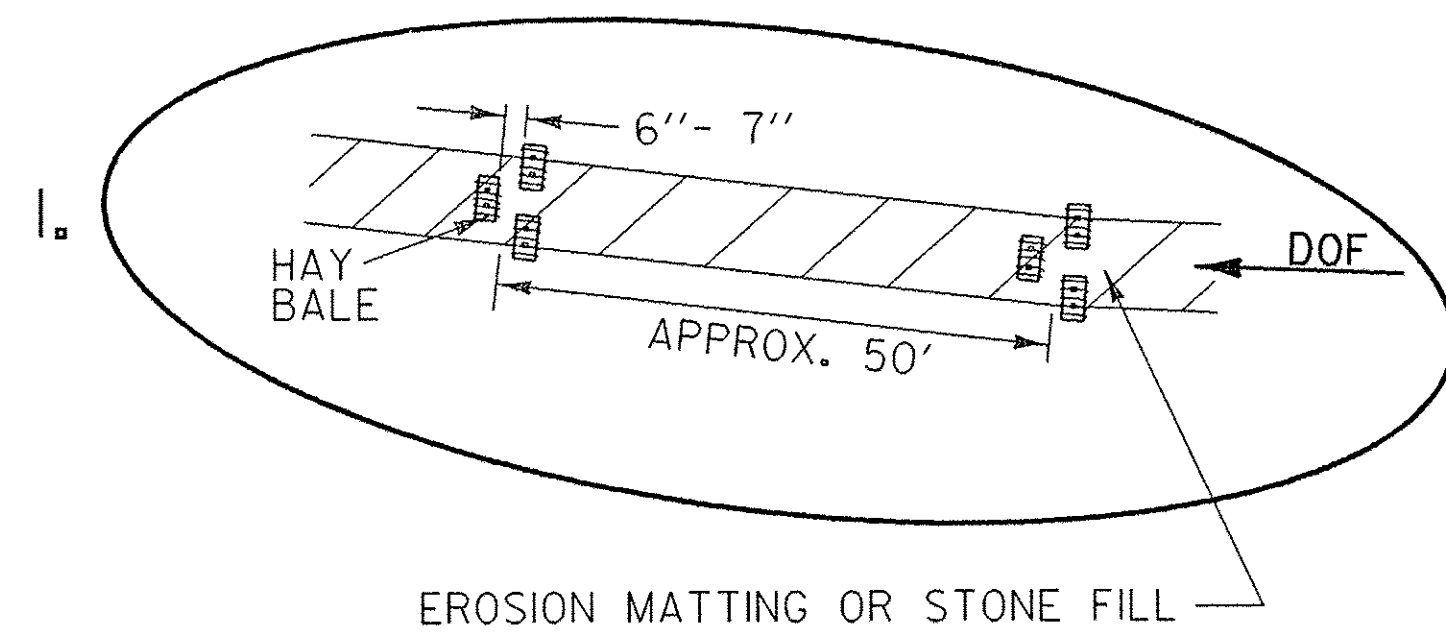


# TEMPORARY EROSION CONTROL PLANS TYPICAL SHEET

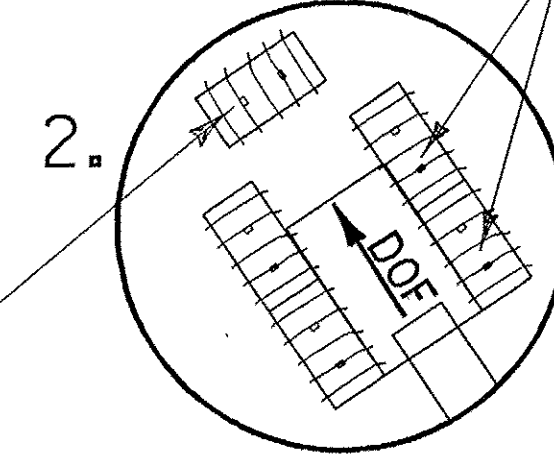
HAY BALE CHECK DAMS FOR LINED DITCHES



EROSION MATTING OR STONE FILL

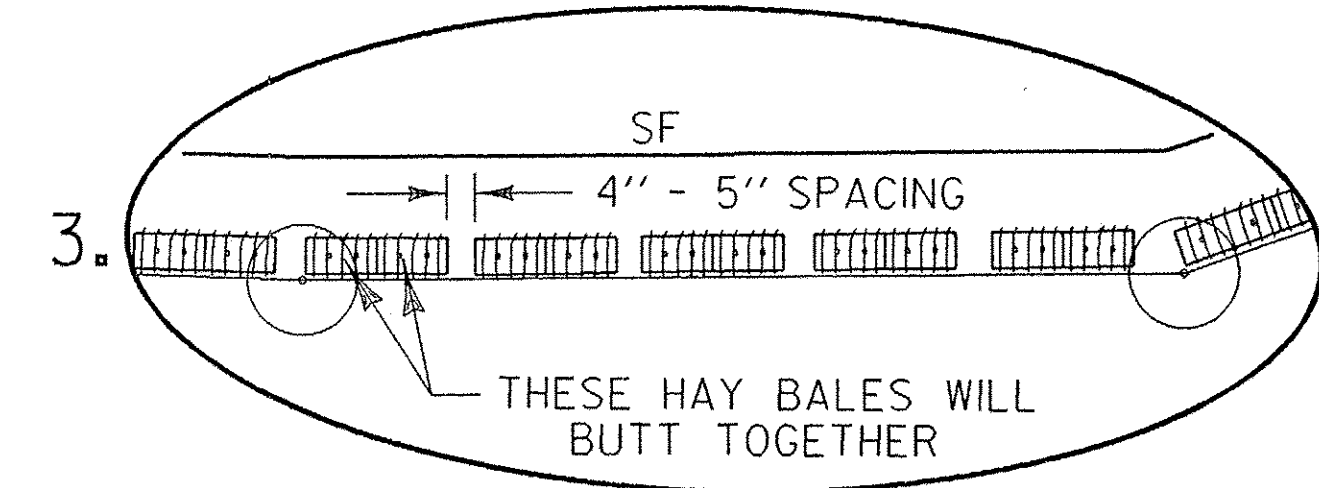
CULVERT OUTLET PROTECTION BEYOND CONSTRUCTION LIMIT OR IN DITCH

THESE HAY BALES WILL BUTT TOGETHER



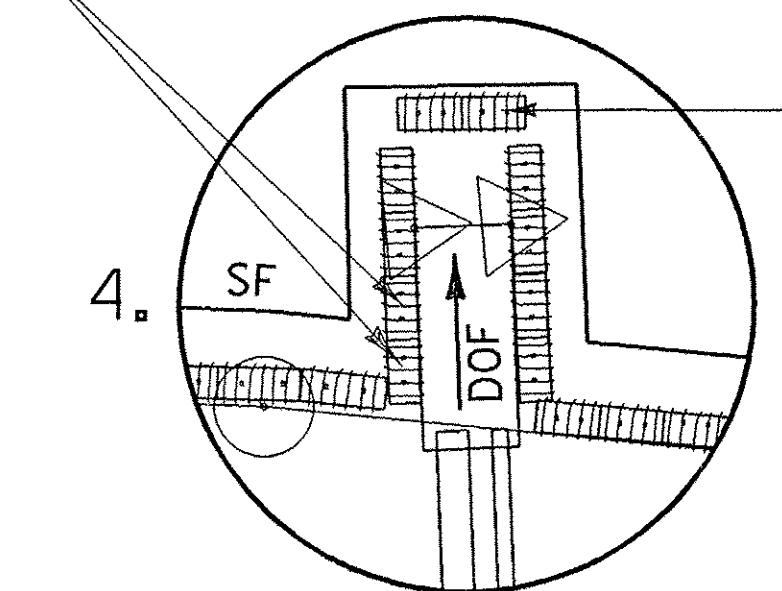
THIS HAY BALE WILL BE PLACED 3'-4' FROM END OF STONE PAD OR END OF CULVERT

SILT FENCE & HAY BALE EROSION CHECK @ FILL TOE/DAYLIGHT SECTION



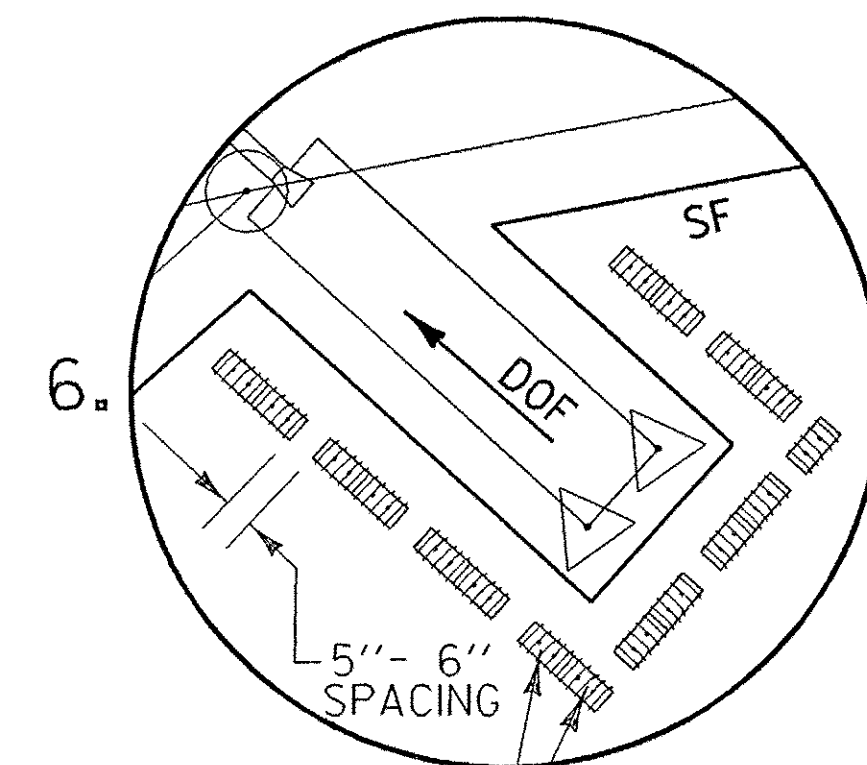
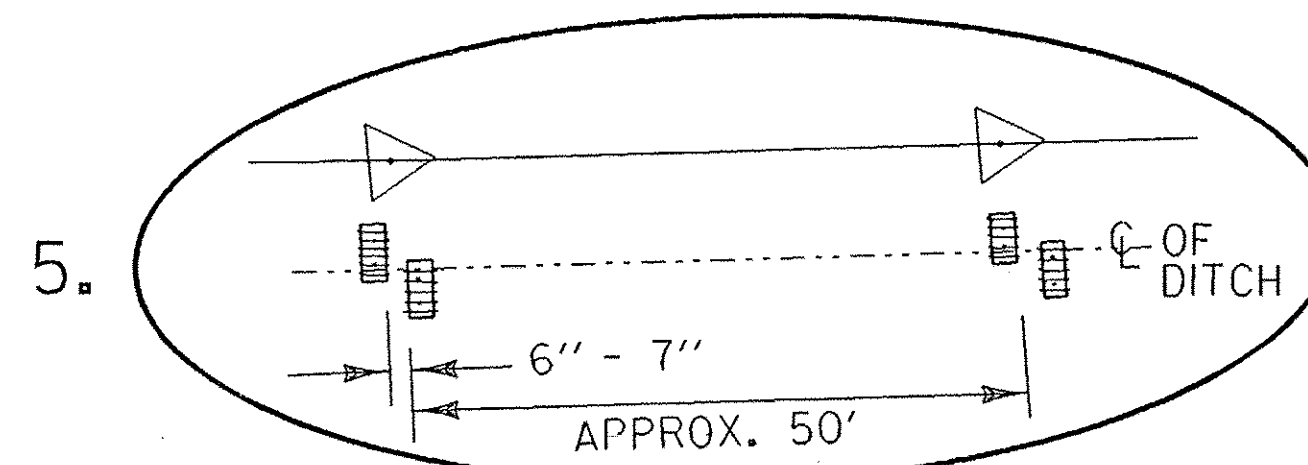
CULVERT OUTLET PROTECTION AT TOE OF SLOPE

THESE HAY BALES WILL BUTT TOGETHER



THESE HAY BALES WILL BE PLACED 6'-7' FROM END OF STONE PAD OR END OF CULVERT AND WILL BUTT TOGETHER

HAY BALE DITCH CHECK DAMS



THESE HAY BALES WILL BUTT TOGETHER

EXPOSED CULVERT INLET PROTECTION

## GENERAL NOTES

1. EROSION CONTROL MATERIALS WILL BE PLACED AS ILLUSTRATED ON NEWLY CONSTRUCTED AREAS AS SOON AS POSSIBLE.
2. DURING CONSTRUCTION, EVERY EFFORT WILL BE MADE TO KEEP DEBRIS AND SEDIMENT OUT OF THE DITCH. HAY BALES WILL BE USED AS ILLUSTRATED TO INSURE BANK STABILITY.
3. HAY BALES SHALL BE INSPECTED AND CLEANED AS NEEDED.

DOF → DIRECTION OF FLOW

(SF) DENOTES GEOTEXTILE FOR SILT FENCE

NOT TO SCALE

DATUM  
VERTICAL NGVD 1929  
HORIZONTAL N/A

SURVEYED BY C. REED DATE 9/87  
DRAWN BY SQUAD D DATE 7/96  
SQUAD LEADER BOHL  
DESIGN FILE NO. /SODD/87E055/DE055.DGN  
IPARM DE055ERO DATE 7-JUL-1997  
FILE PLOTTED  
PROJ. NAME BERLIN  
PROJ. NO. MEGC-M6200(2)S  
SHEET 37 OF 73 SHEETS