

**SEEDING FORMULA
URBAN AREAS**

% WT.	LBS./A.	NAME	PUR %	GERM %
42.5	34.0	CREeping RED FESCUE	98	85
10.0	8.0	PERENNIAL RYE GRASS	95	90
42.5	34.0	KENTUCKY BLUE GRASS	85	85
5.0	4.0	ANNUAL RYE GRASS	95	85
100.00	80.0			

GENERAL NOTES

SEED MIXTURE: SHALL NOT HAVE A WEED CONTENT EXCEEDING 0.40% BY WEIGHT AND SHALL BE FREE OF ALL NOXIOUS SEED.

SEED: TO BE APPLIED PER SEEDING FORMULAS OR AS DIRECTED BY THE ENGINEER.

FERTILIZER: FORMULA 10-20-10, TO BE USED WITH SEED, APPLIED AT THE RATE OF 500 LBS./ACRE. (HYDRO SEEDERS MAY USE 19-19-19 FORMULA).

AGRICULTURAL LIMESTONE: TO BE APPLIED AT THE RATE OF 2 TONS/ACRE, OR AS DIRECTED BY THE ENGINEER.

HAY MULCH: TO BE PLACED ON EARTH SLOPES AT THE RATE OF 2 TONS/ACRE, OR AS DIRECTED BY THE ENGINEER.

TOPSOIL: TO BE USED WITH SEED AS INDICATED ON THE PLANS, OR AS DIRECTED BY THE ENGINEER.

MARKER POSTS: TO BE PLACED AS INDICATED OR AS DIRECTED BY THE ENGINEER.

SLOPE ROUNDING: ALL CUT SLOPES TO BE ROUNDED IN ACCORDANCE WITH STANDARD SHEET B-5.

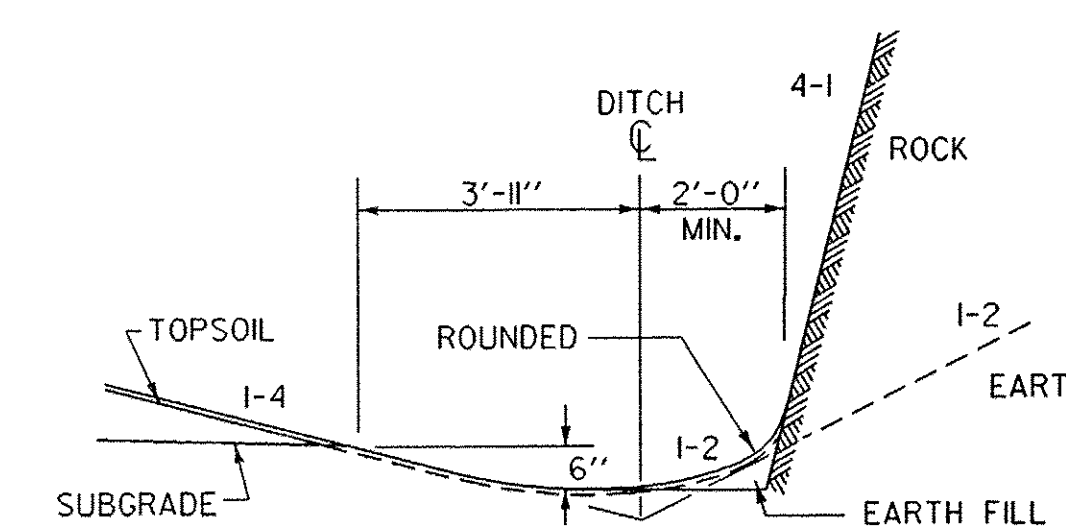
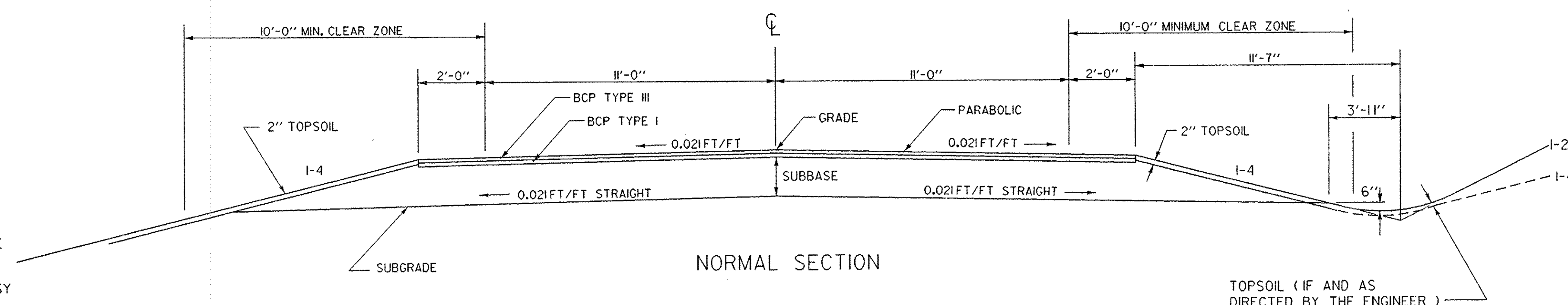
PAY LIMITS OF SAND BORROW: WHEN USED IN CONJUNCTION WITH UNDERDRAIN - SEE STANDARD SHEET D - 2.

TACK COAT: EMULSIFIED ASPHALT IS TO BE APPLIED AT THE RATE OF 0.015 GAL/SY BETWEEN SUCCESSIVE COURSES OF PAVEMENT AS DIRECTED BY THE ENGINEER.

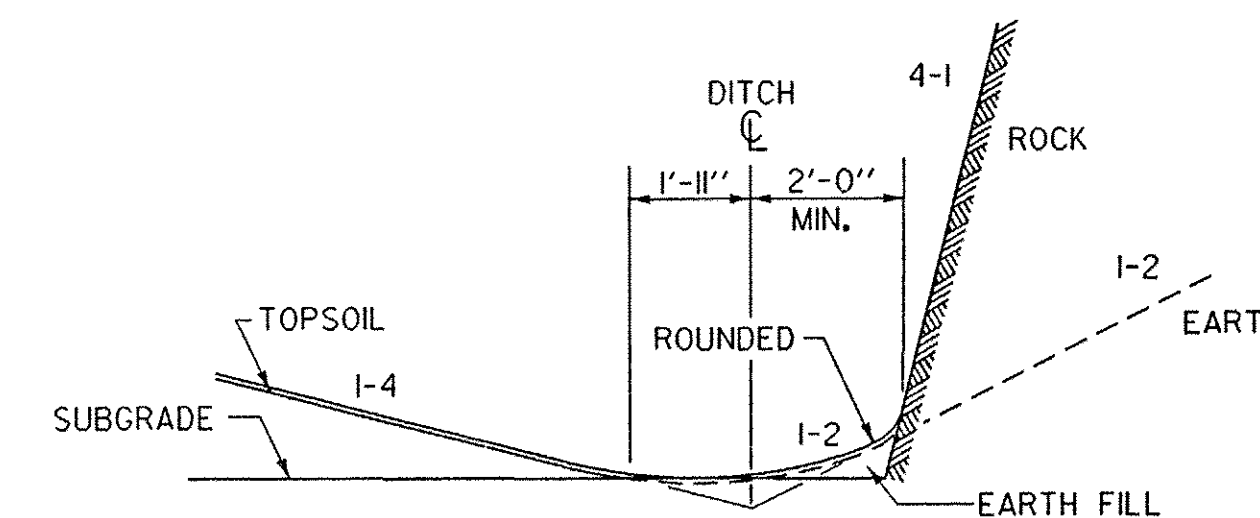
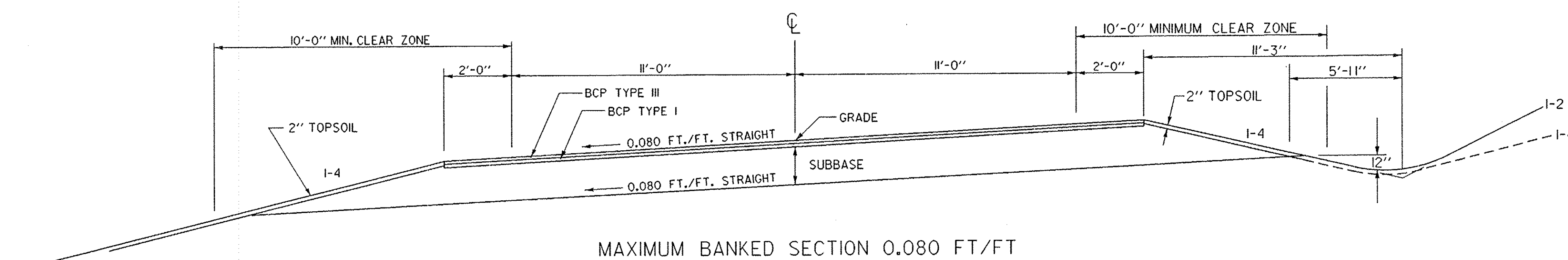
TYPICAL SECTIONS

1 1/2" BITUMINOUS CONCRETE PAVEMENT TYPE III
 2 1/2" BITUMINOUS CONCRETE PAVEMENT TYPE I
 18" SUBBASE OF DENSE GRADED CRUSHED STONE
 SAND BORROW - AN ESTIMATED QUANTITY HAS BEEN INCLUDED IN THE PROJECT TO BE USED AT THE DISCRETION OF THE RESIDENT ENGINEER.

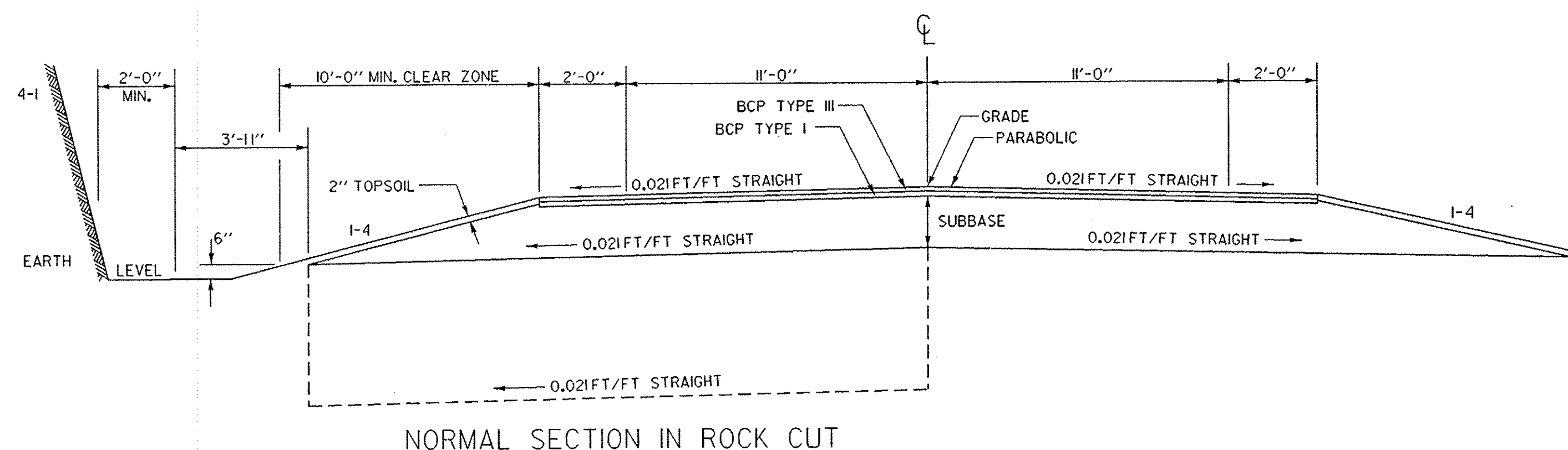
REV 83+00 ~ REV 89+00
 REV 92+50 ~ REV 100+00



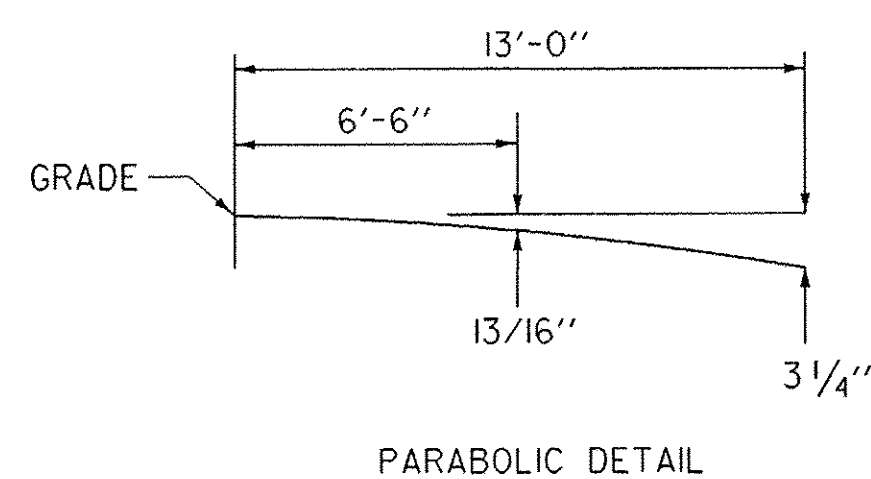
DETAILS OF DITCH AND BACKSLOPE FOR LOW SIDE OF BANK < 0.042 FT/FT



DETAILS OF DITCH AND BACKSLOPE FOR LOW SIDE OF BANK >= 0.042 FT/FT



FOR SLOPES IN SOLID ROCK EXCAVATION AND DRILLING AND BLASTING OF SOLID ROCK SUBGRADE, SEE STANDARD SHEET A-6L.



MATERIAL ITEM	THICKNESS TOLERANCE
PAVEMENT	± 1/4"
SUBBASE	± 1"

DATUM	_____
VERTICAL	_____
HORIZONTAL	_____

PROJECT: BERLIN	PROJECT NO.: MEGC-M6200(2)S
DESIGN FILE NAME: sqdd/87e055/de055.dgn	PLOT DATE: 17-JUL-1997
IPARM FILE NAME: de055+y2.1	SURVEY DATE:
SURVEYED BY:	DRAWN BY:
SQUAD LEADER: BOHL	SHEET: 4 OF 73