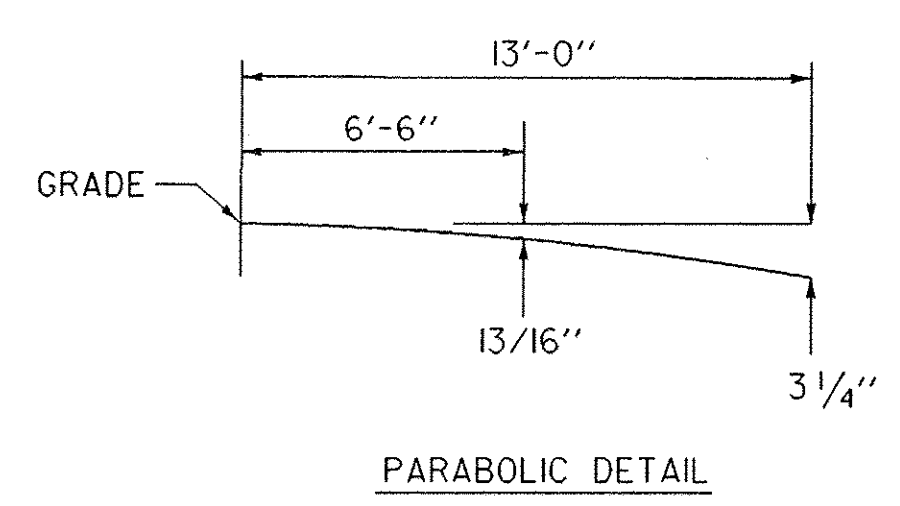


# TYPICAL SECTIONS

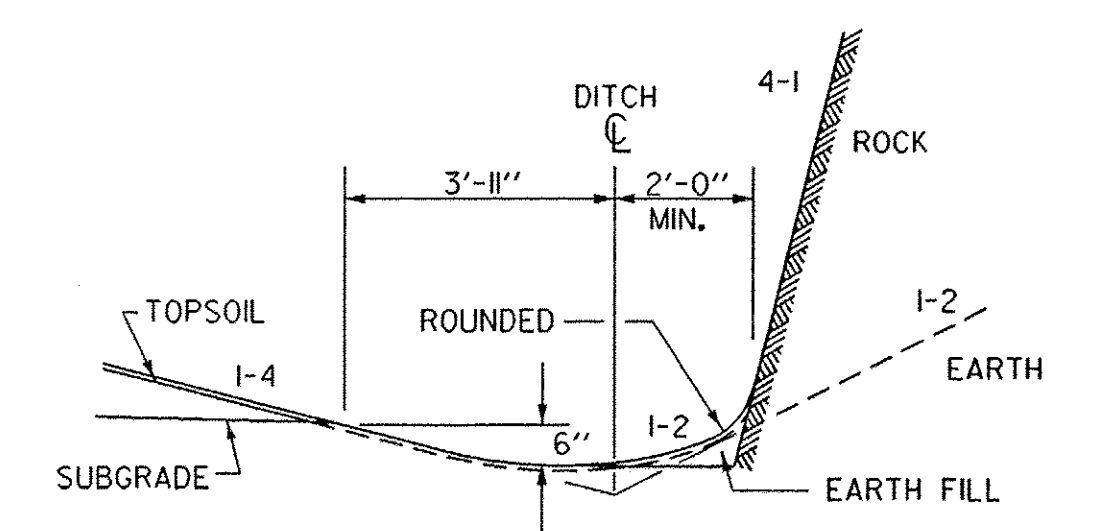
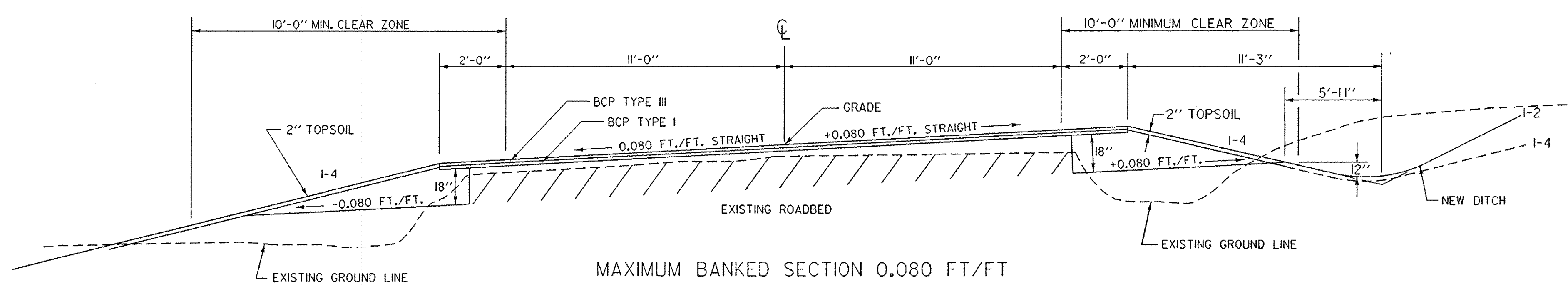
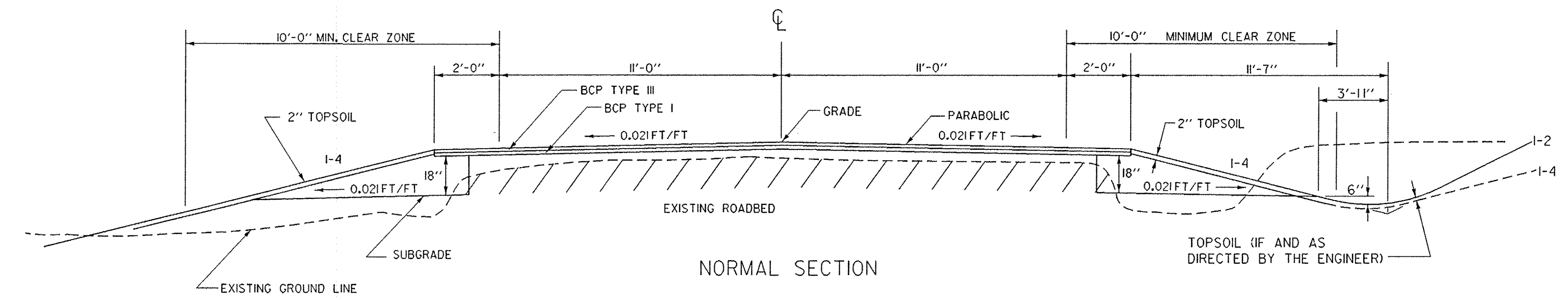
1 1/2" BITUMINOUS CONCRETE PAVEMENT TYPE III  
 2 1/2" BITUMINOUS CONCRETE PAVEMENT TYPE I  
 6"± SUBBASE OF DENSE GRADED CRUSHED STONE SHIM COURSE  
 SAND BORROW - AN ESTIMATED QUANTITY HAS BEEN INCLUDED IN THE PROJECT TO BE USED AT THE DISCRETION OF THE RESIDENT ENGINEER.

76+00 ~ REV 83+00  
 REV 89+00 ~ REV 92+50

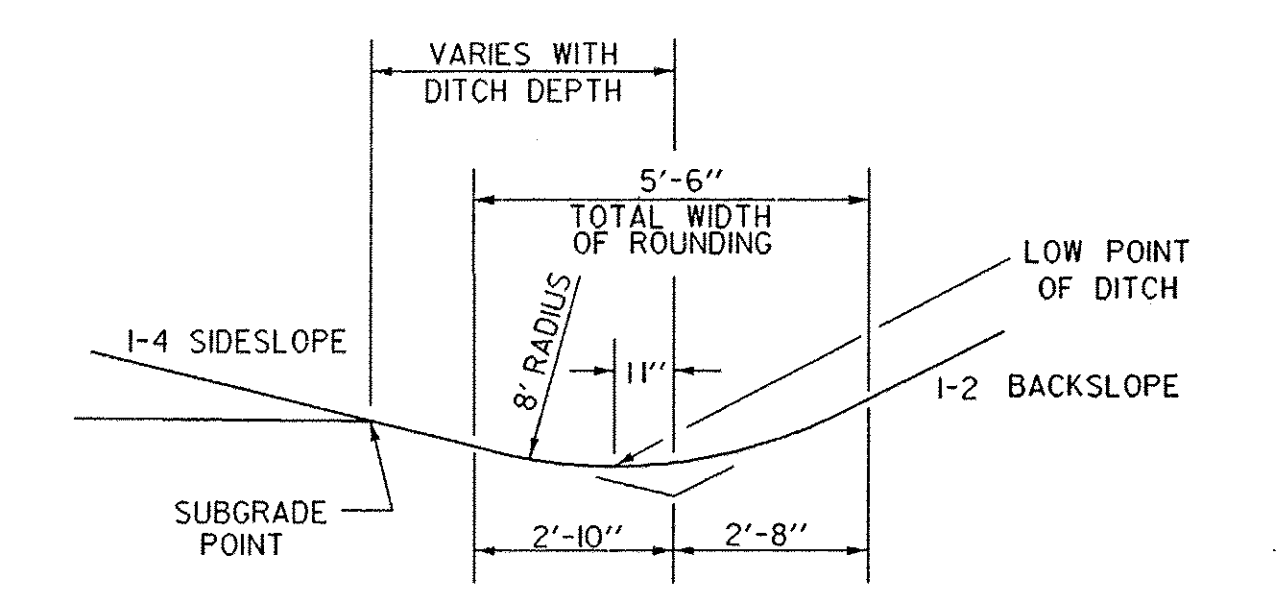
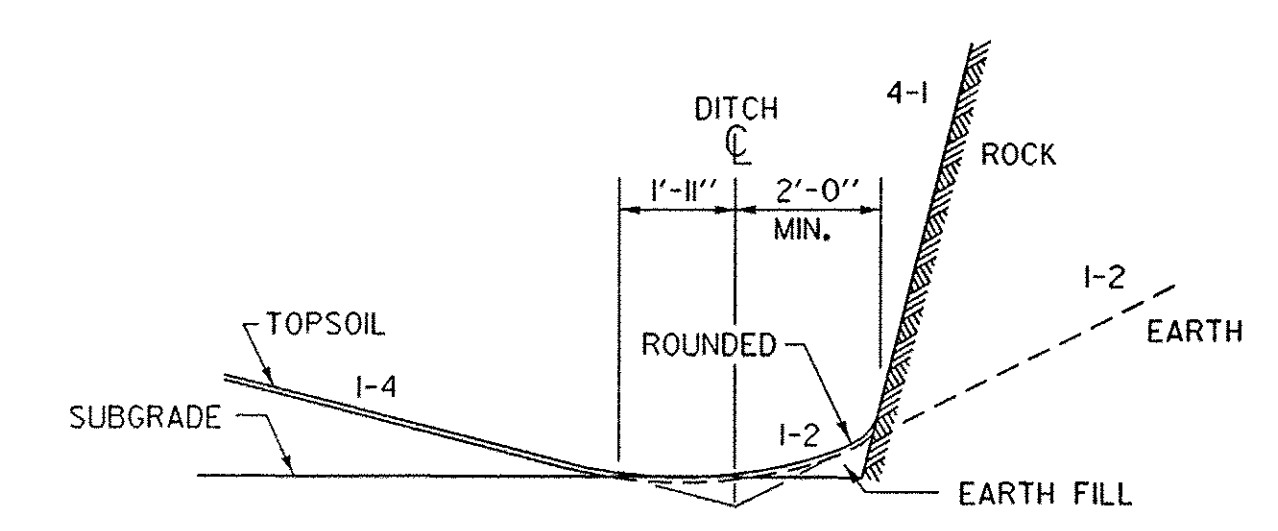
NOTE: SEE SHEET 4 FOR SEEDING FORMULA AND GENERAL NOTES.



MATERIAL ITEM	THICKNESS TOLERANCE
PAVEMENT	± 1/4"
SUBBASE	± 1"



FOR SLOPES IN SOLID ROCK EXCAVATION AND DRILLING AND BLASTING OF SOLID ROCK SUBGRADE, SEE STANDARD SHEET A-61.



DATUM

VERTICAL	_____
HORIZONTAL	_____

PROJECT: BERLIN	PROJECT NO.: MEGC-M6200(2)S
DESIGN FILE NAME: sqdd/87e055/de055.dgn	PLOT DATE: 17-JUL-1997
IPARM FILE NAME: de055+yl.l	SURVEY DATE:
SURVEYED BY:	DRAWN BY:
SQUAD LEADER: BOHL	SHEET: 3 OF 73