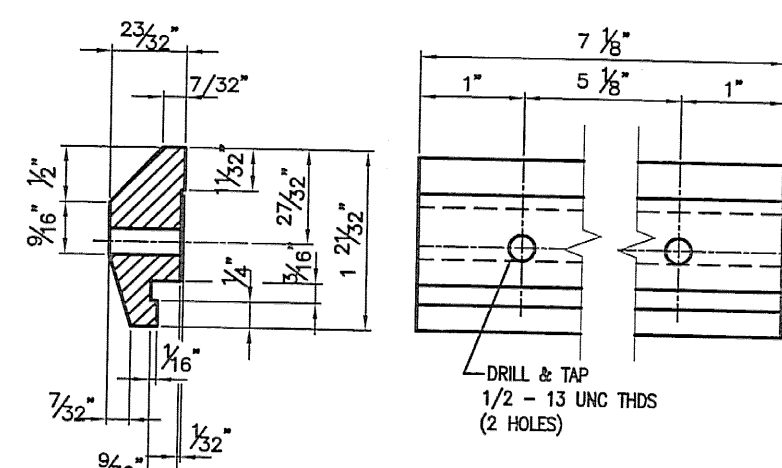
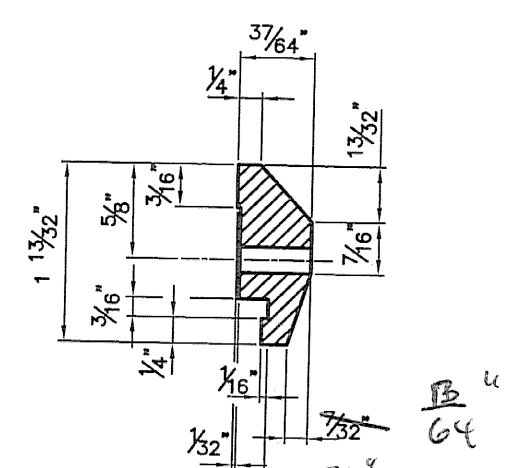


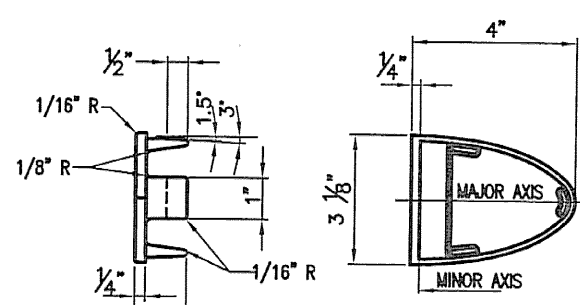
8 ~ REQ'D. ALUM
END CAPS 'EC2'
#19346



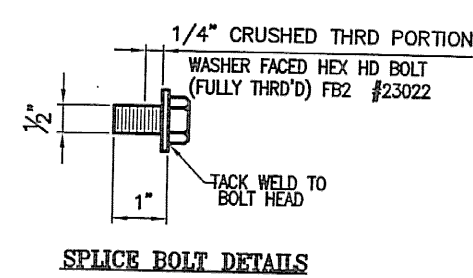
164 ~ REQ'D. CLAMP
BAR CB-05-A
(BARBER PILE - 4 PER POST)
#19447



32 ~ REQ'D. CLAMP
BAR CB-01-H
(HURON - 2 PER POST)
#28596



4 ~ REQ'D. END CAPS (3 1/8" x 4") 'EC1'
#19344



SPlice BOLT DETAILS

RECEIVED
CHKD BY: *OC*
JUL 09 2008
RESUBMIT APPROVED *AS NOTED*
BY: _____ DATE: _____

ANODIZED
(SEE LB1 or LB5 FOR NOTES)

PROJECT No. BRZ 1441(19) C/2	ITEM No. 900.640
APPROVED: _____	REQ'D APPROVAL _____
L.B. FOSTER COMPANY 1016 GREENHURST ROAD PITTSBURGH, PENNSYLVANIA 15280	
FOR: A. D. ROSS CORPORATION VERMONT AGENCY OF TRANSPORTATION TOWN OF POWNALL, COUNTY OF BENNINGTON BRIDGE RAILING FOR BRIDGE #11, IN 24' C&D (LOCAL) 31 ALUMINUM APPROACH RAIL - WEST DETAILS	
DATE: 08/08/08	REV. No. 100495
CHKD: RLJ	DATE: 08/19/08
REV. _____	BY: _____
DESCRIPTION _____	DATE _____