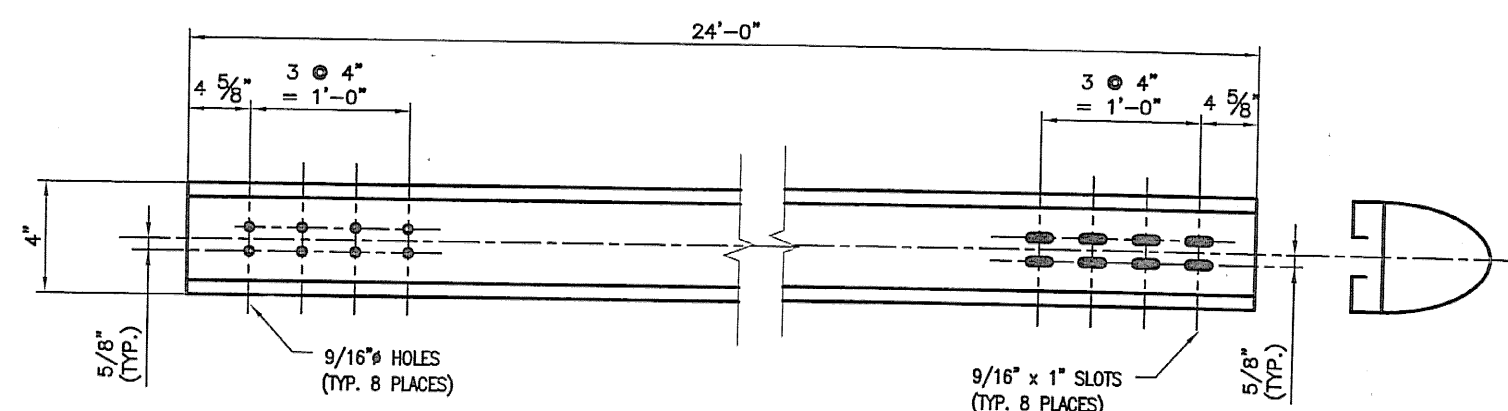
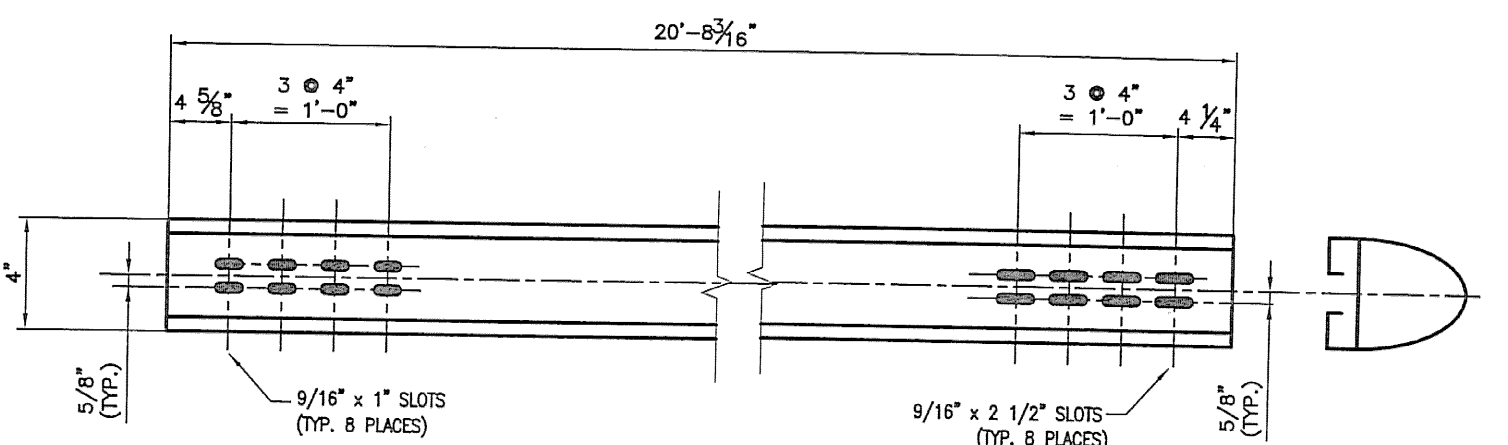


4 REQ'D. ~ RAIL 'BA3'
(BACK ELEVATION VIEW)



32 REQ'D. ~ RAIL 'BA1'
(BACK ELEVATION VIEW)



4 REQ'D. ~ RAIL 'BA2'
(BACK ELEVATION VIEW)

PRELIMINARY
06/20/08

ANODIZED
(SEE NOTES ON LBI, LBS)

RECEIVED
OK'D BY *MA* OK'D BY *CML*
JUL 09 2008
RESUBMIT _____ APPROVED _____
BY _____ DATE _____

| | |
|---|----------------------|
| PROJECT No. BRZ 1441(19) C/2 | ITEM No. 900.640 |
| APPROVED: _____ | REC'D APPROVAL _____ |
| DRAWING | |
| L.B. FOSTER COMPANY | |
| 1010 GREENVIEW ROAD | |
| PITTSBURGH, PENNSYLVANIA 15220 | |
| FOR: A. D. ROSSI CORPORATION | |
| VERMONT AGENCY OF TRANSPORTATION | |
| TOWN OF CORNELL, COUNTY OF BENNINGTON | |
| BRIDGE RAILING FOR BRIDGE #41, TH 24, CL3 (LOCAL) | |
| 3L ALUM BRIDGE RAILING ~ RAIL DETAILS | |
| MADE CMS DATE 05/29/08 JOB No. AR0495 | CUST. No. _____ |
| CHECK_BLI DATE 06/18/08 DRAWING LB7 | REV. No. _____ |

| REV. | DESCRIPTION | BY | DATE |
|------|-------------|----|------|
| | | | |
| | | | |