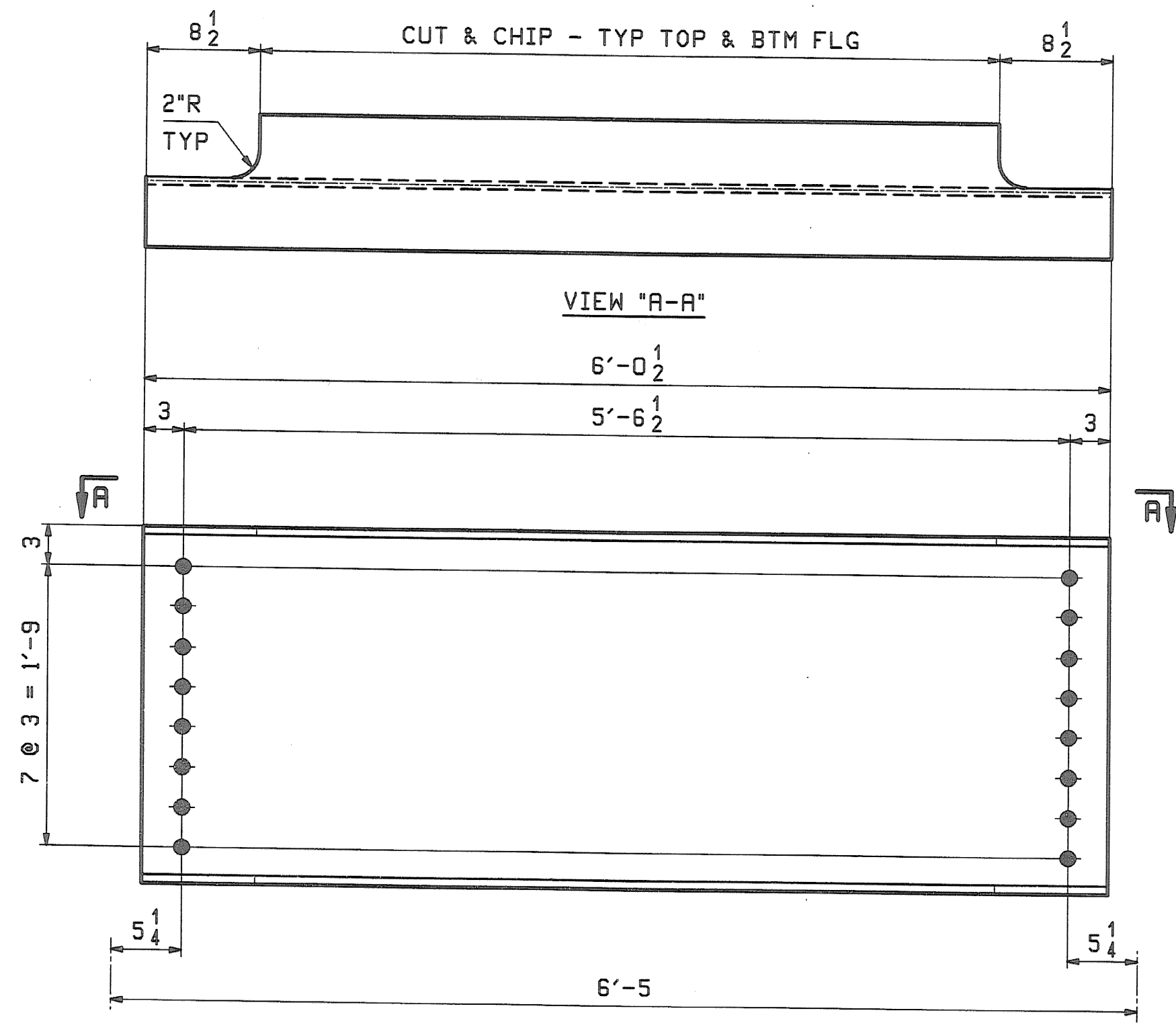
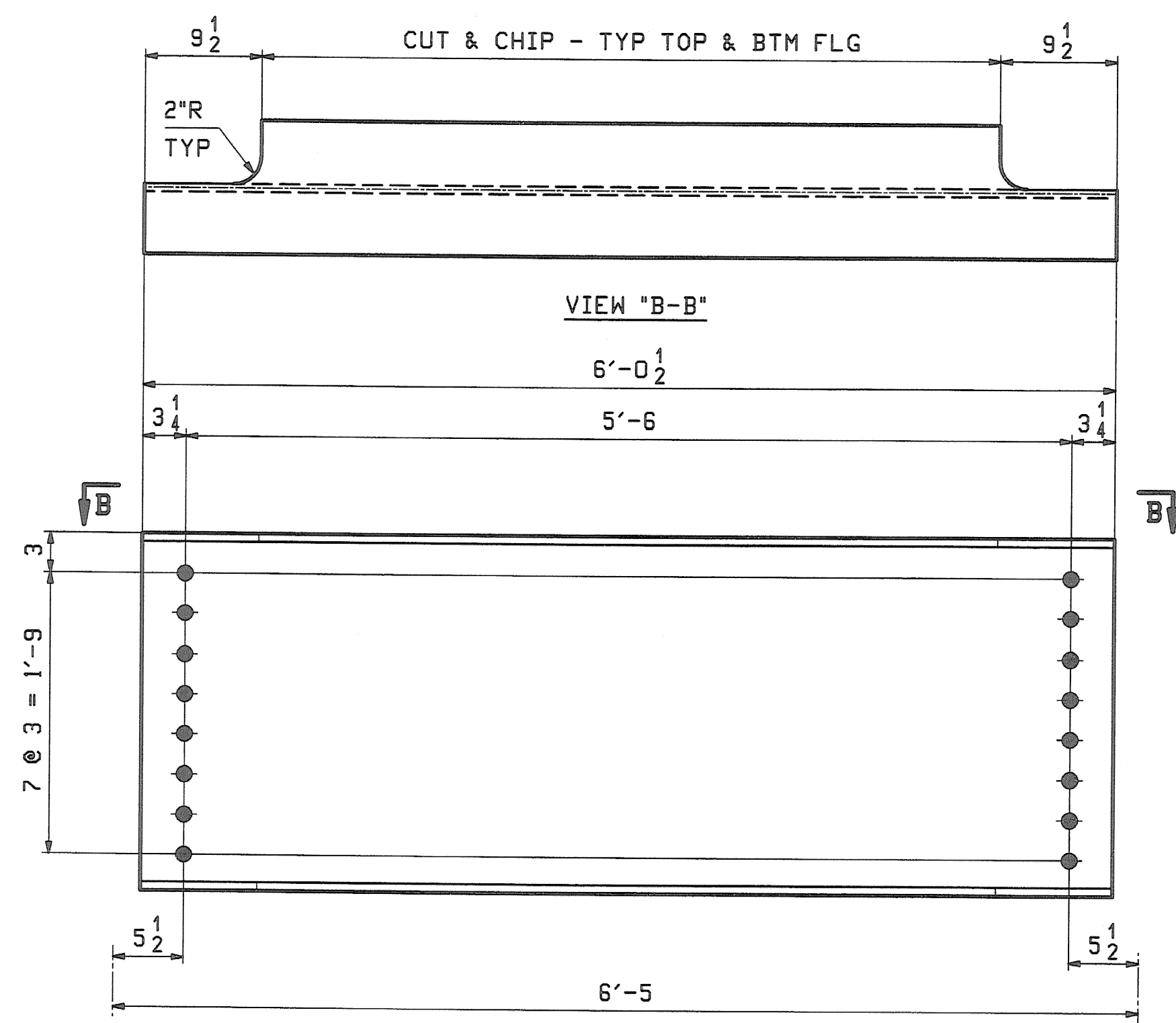


ABM INFO		BILL OF MATERIAL				JOB NO.	DRAWING NO.	REV.	
						367	16		
PAGE	LINE	MARK	QTY	MARK	MATERIAL	LENGTH FT INCHES	REMARKS	WT	PROCUREMENT NOTES
					DIAPHRAGMS				
2	U	16D1	40		W 27x84	6 0 1/2			508
2	U	16D2	8		W 27x84	6 0 1/2			508
2	U	16D3P	4		W 27x84	6 0 1/2	PAINTED		508



40 ~ INT. DIAPHRAGMS - 16D1



8 ~ BRG DIAPHRAGMS - 16D2  
4 ~ BRG DIAPHRAGMS - 16D3P (PAINTED - SEE DWG GNI)

NOTE:  
FOR GENERAL NOTES SEE DRAWING GNI.

REV.	DATE	REMARKS	DWN	CHK	APVL	SHOP
0						5-12-08
MATERIAL:		SURFACE PREP. & PAINT:		HOLES:		SHOP BOLTS:
A709-50W		AS NOTED ON GNI		15 16		NONE
DESCRIPTION: DIAPHRAGMS						
CASCO BAY STEEL STRUCTURES, INC. 75 SPRING HILL ROAD SACO, MAINE 04072 PHONE (207) 282-7360 FAX (207) 282-1179						
STRUCTURE: TH24 over Hoosic River BRIDGE NO. 41 POWNA, VERMONT COUNTY OF BENNINGTON				DRAWN:	DATE:	
				JTB	04/25	
				CHKD:	DATE:	
				TM	05/05	
LOCATION: TOWN OF POWNA				JOB NO.	DWG NO.	
PROJ NO. BRZ 1441 (13) C/2				367	16	
CUSTOMER: VERMONT AGENCY OF TRANSPORTATION					REV. $\Delta$	

RECEIVED  
MAY 15 2008  
APPROVED

JTB - Twp. No. 6 133802 EDT 2008 - 000000/000/000/000 1 Rev. 0