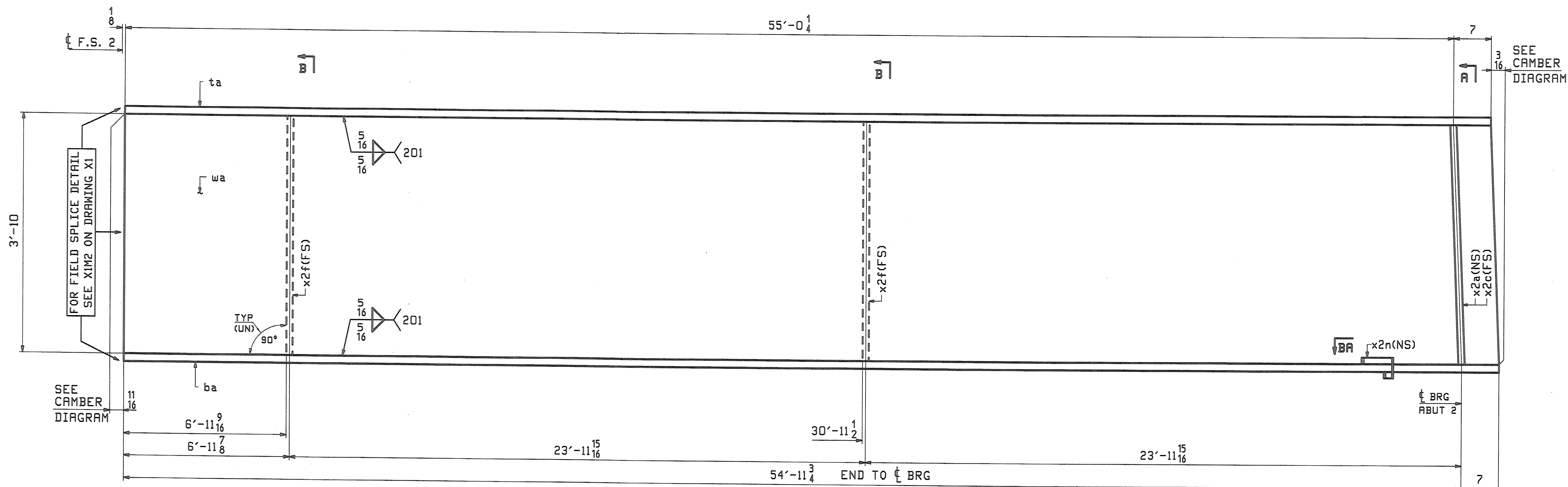
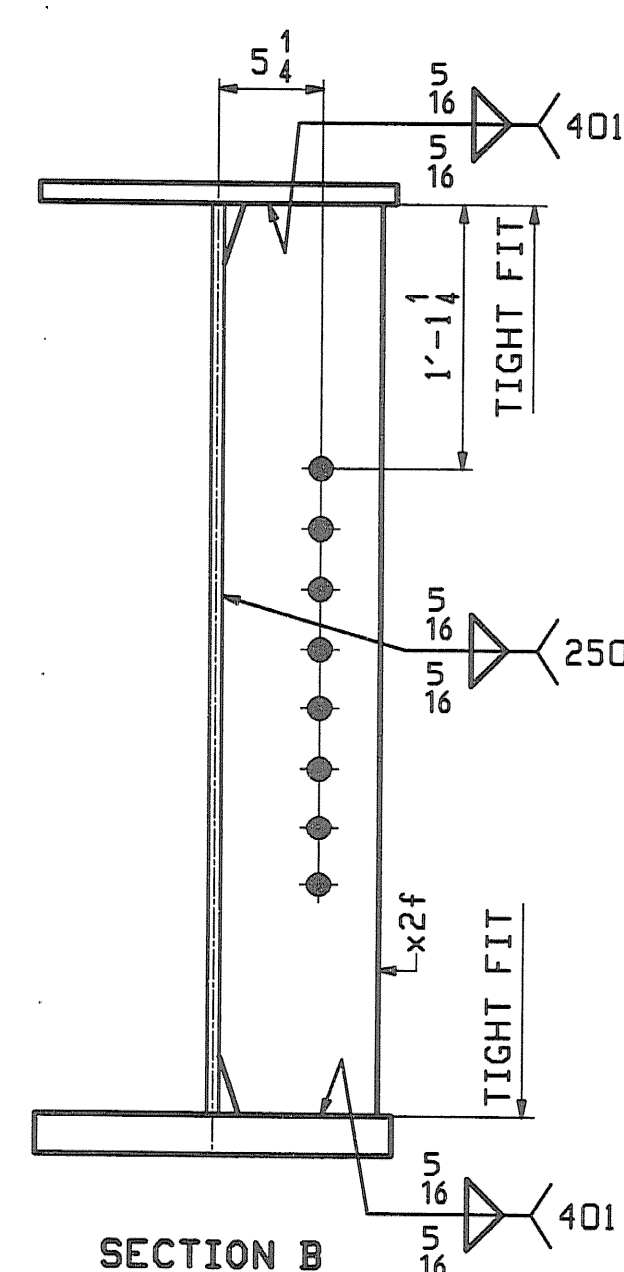
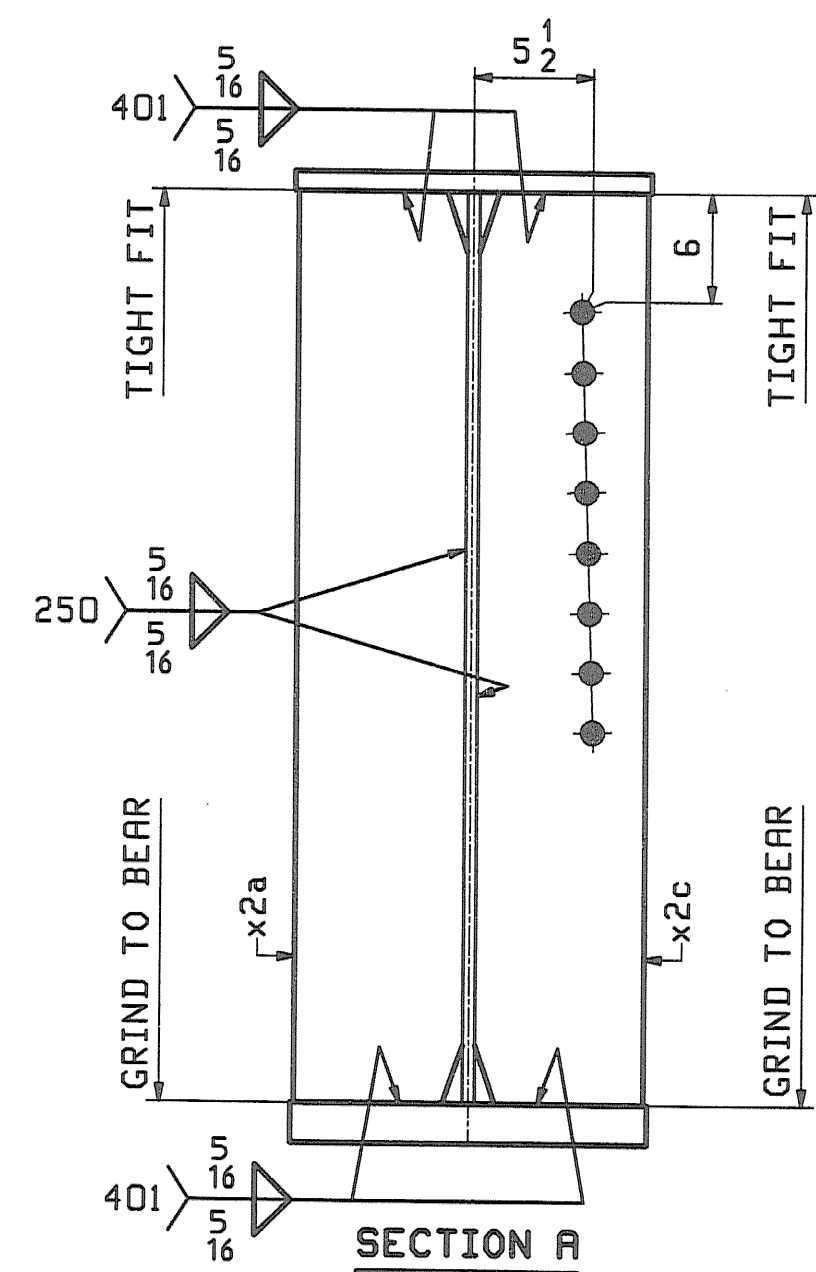
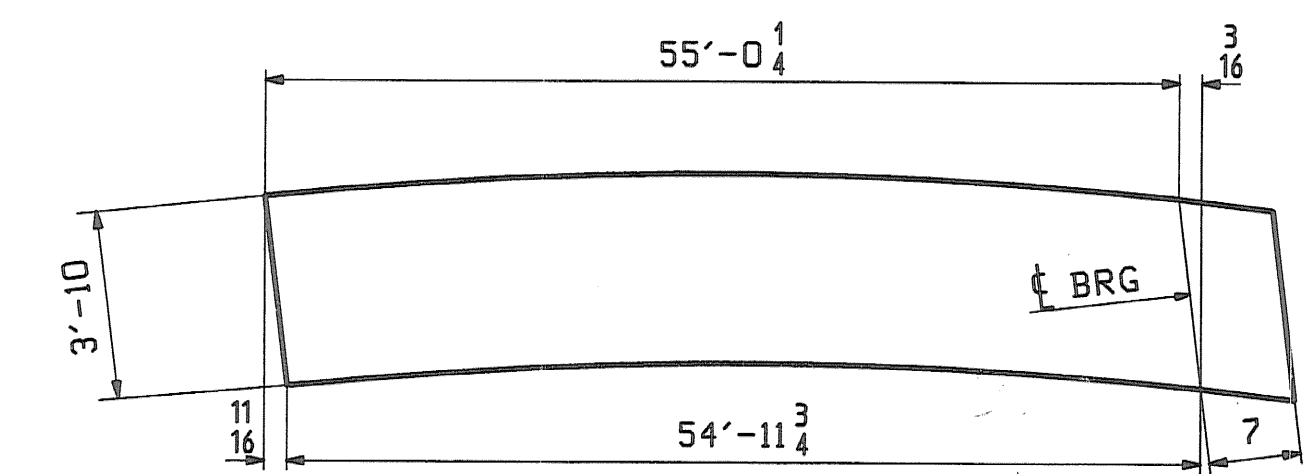
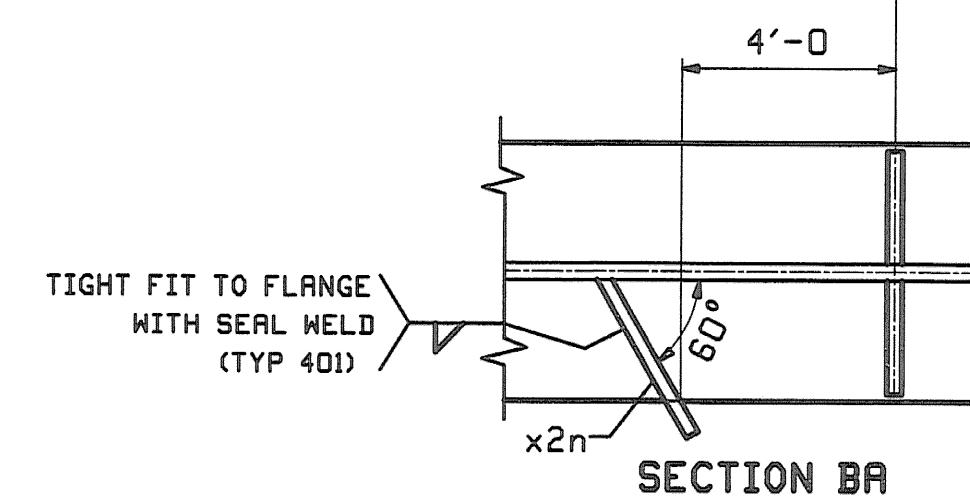


JOB NO.		DRAWING NO.		REV.			
367		15					
ABM INFO	SHIP	BILL OF MATERIAL		REMARKS	PROCUREMENT NOTES		
PAGE	LINE	MARK	QTY	MARK	MATERIAL	LENGTH FT INCHES	WT
		15G5C	1		GIRDER		12577
1	Q	1	wa		PL $\frac{5}{8}$ x 46	55' 7 $\frac{1}{16}$ "	(A709-50WT2) (H2-3)
1	G	1	ta		PL 1x18	55' 7 $\frac{1}{16}$ "	(A709-50WT2) (H2-3)
1	G	1	ba		PL 1x18	55' 6 $\frac{1}{16}$ "	(A709-50WT2) (H2-3)
2	N	1	x2a		PL $\frac{7}{8}$ x 8 $\frac{1}{2}$	3' 10"	MIF
2	N	1	x2c		PL $\frac{7}{8}$ x 8 $\frac{1}{2}$	3' 10"	MIF
2	P	2	x2f		PL $\frac{5}{8}$ x 8	3' 10"	
2	R	1	x2n		PL $\frac{1}{4}$ x 3	1' 0 $\frac{3}{16}$ "	



ONE - GIRDER - 15G5C

FOR GIRDER STANDARDS SEE DRAWINGS X1 & X2.
 FOR CAMBER & FLANGE DIAGRAMS SEE DRAWING C2.
 FOR GENERAL NOTES & WELD PROCEDURES SEE DRAWING GNI.
 H2-3 DENOTES MATERIAL SUBJECT TO CHARPY V-NOTCH TESTING.



RECEIVED
 CK'D BY *WDL* OK'D BY *CSC*
 MAY 15 2008
 RESUBMIT _____ APPROVED _____
 BY _____ DATE _____

REV.	DATE	REMARKS	DWN	CHK	APVL	SHOP
0						5-12-08
MATERIAL:		SURFACE PREP. & PAINT:		HOLES:		SHOP BOLTS:
A709-50W (UN)		SEE DWG GNI		15/16" Ø		NONE
DESCRIPTION: GIRDER - 15G5C						
CASCO BAY STEEL STRUCTURES, INC. 75 SPRING HILL ROAD SACO, MAINE 04072 PHONE (207) 282-7360 FAX. (207) 282-1179						
STRUCTURE: TH24 over Hoosic River BRIDGE NO. 41 POWNAL, VERMONT COUNTY OF BENNINGTON				DRAWN:	DATE:	
				JTB	04/25	
				CHKD:	DATE:	
				TM	05/05	
LOCATION: TOWN OF POWNAL			JOB NO.		DWG NO.	
PROJ NO. BRZ 1441 (19) C/2			367		15	
CUSTOMER: VERMONT AGENCY OF TRANSPORTATION					REV. Δ	