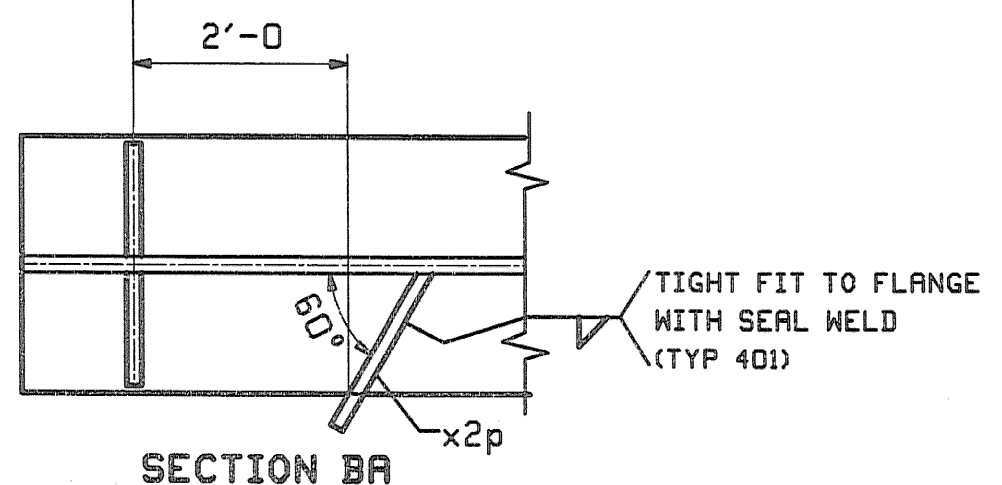
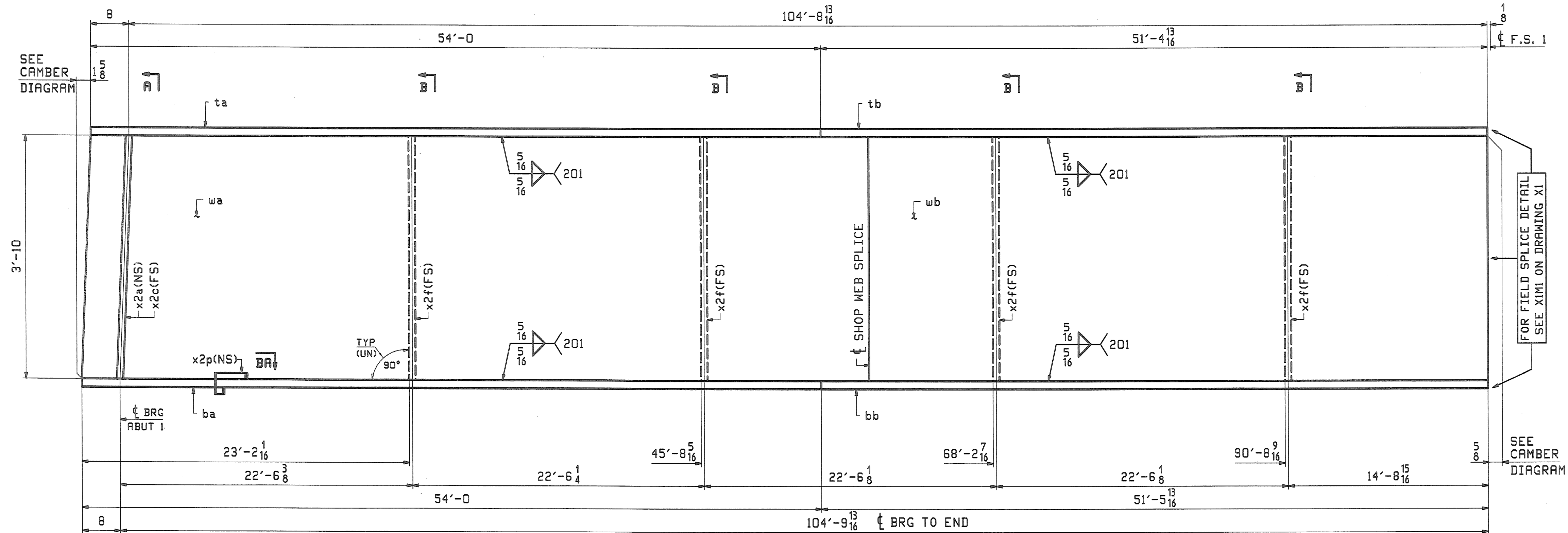
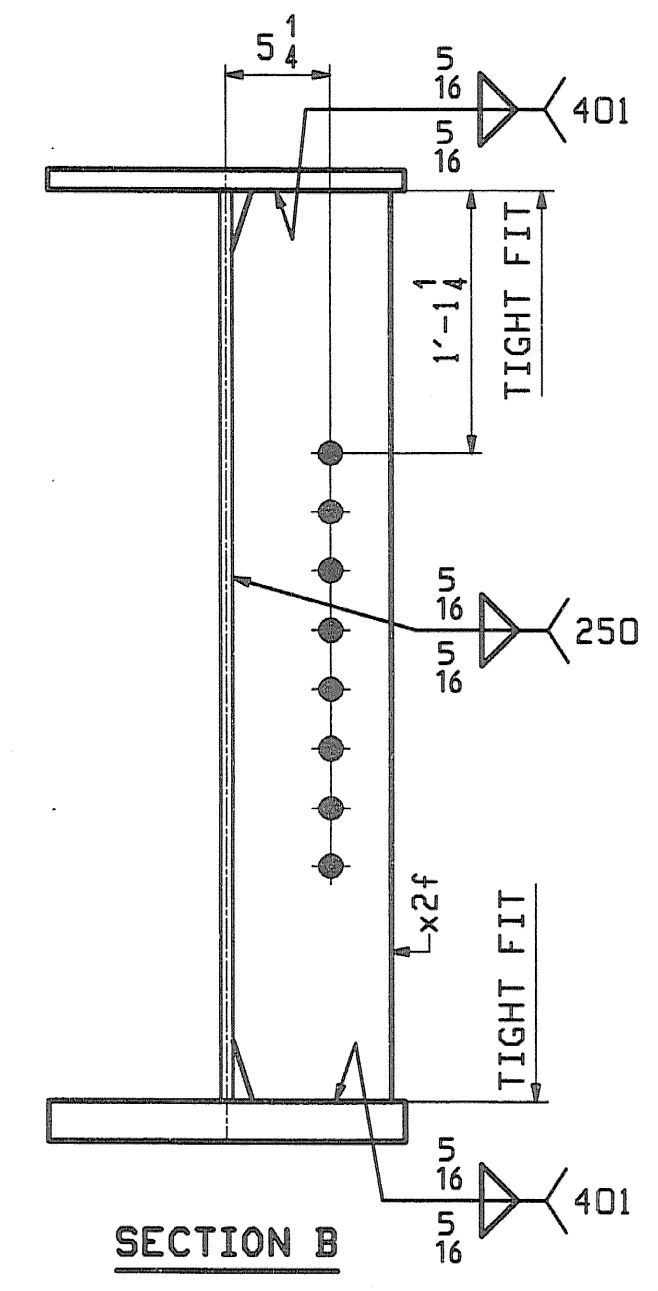
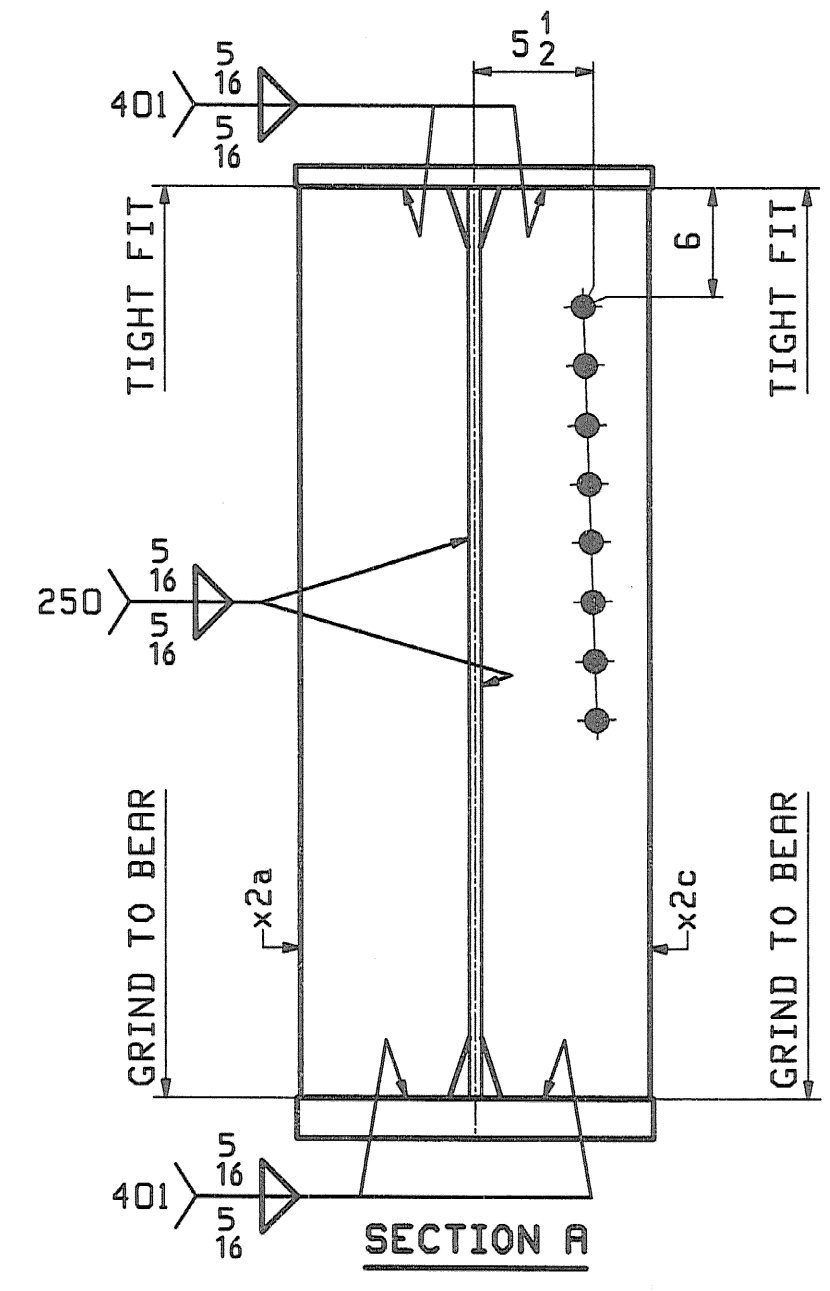
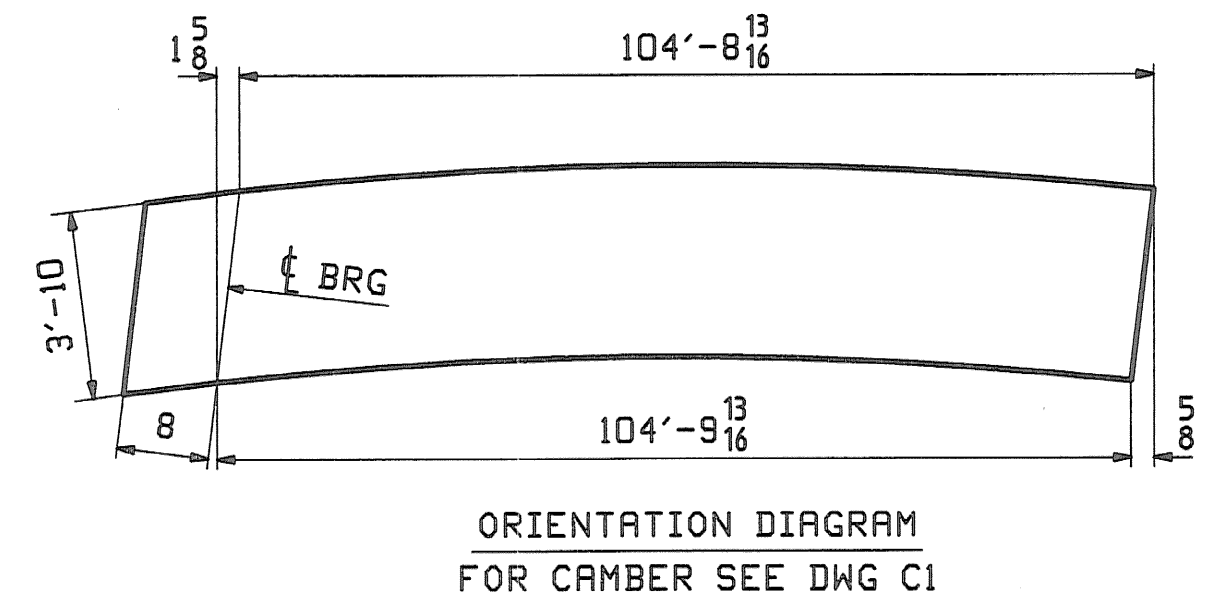


ABM INFO		SHIP	BILL OF MATERIAL		JOB NO.	DRAWING NO.	REV.	
PAGE	LINE	MARK	QTY	MARK	LENGTH	REMARKS	WT	PROCUREMENT NOTES
					FT INCHES			
		5G5A	1	GIRDER			31776	
1	S	1	wa	PL $\frac{5}{8} \times 46$	57 0 $\frac{1}{4}$	(A709-50WT2) (H2-3)		
1	U	1	wb	PL $\frac{5}{8} \times 46$	48 6 $\frac{7}{16}$	(A709-50WT2) (H2-3)		
1	J	1	ta	PL 1x18	54 0	(A709-50WT2) (H2-3)		
1	L	1	tb	PL 1x18	51 4 $\frac{13}{16}$	(A709-50WT2) (H2-3)		
1	A	1	ba	PL $2 \frac{1}{4} \times 18$	54 0	(A709-50WT2) (H2-4)		
1	C	1	bb	PL $2 \frac{1}{4} \times 18$	51 5 $\frac{13}{16}$	(A709-50WT2) (H2-4)		
2	N	1	x2a	PL $\frac{7}{8} \times 8 \frac{1}{2}$	3 10	MIF		
2	N	1	x2c	PL $\frac{7}{8} \times 8 \frac{1}{2}$	3 10	MIF		
2	P	4	x2f	PL $\frac{5}{8} \times 8$	3 10			
2	Q	1	x2p	PL $\frac{1}{4} \times 4 \frac{1}{4}$	1 0 $\frac{3}{16}$			



**ONE - GIRDER - 5G5A**

FOR GIRDER STANDARDS SEE DRAWINGS X1 & X2.  
 FOR CAMBER & FLANGE DIAGRAMS SEE DRAWING C1.  
 FOR GENERAL NOTES & WELD PROCEDURES SEE DRAWING GNI.  
 H2-3/H2-4 DENOTES MATERIAL SUBJECT TO CHARPY V-NOTCH TESTING.



RECEIVED  
 MAY 15 2008  
 APPROVED

REV.	DATE	REMARKS	DWN	CHK	APVL	SHOP
0						5-12-08
		MATERIAL: A709-50W (UN)				SHOP BOLTS: NONE
		DESCRIPTION: GIRDER - 5G5A				
		CASCO BAY STEEL STRUCTURES, INC. 75 SPRING HILL ROAD PHONE (207) 282-7360				
		STRUCTURE: TH24 over Hoosic River BRIDGE NO. 41 POWNAL, VERMONT COUNTY OF BENNINGTON				
		LOCATION: TOWN OF POWNAL				
		PROJ NO. BRZ 1441 (19) C/2				
		CUSTOMER: VERMONT AGENCY OF TRANSPORTATION				

JTB Tue May 6 10:28:00 EDT 2008