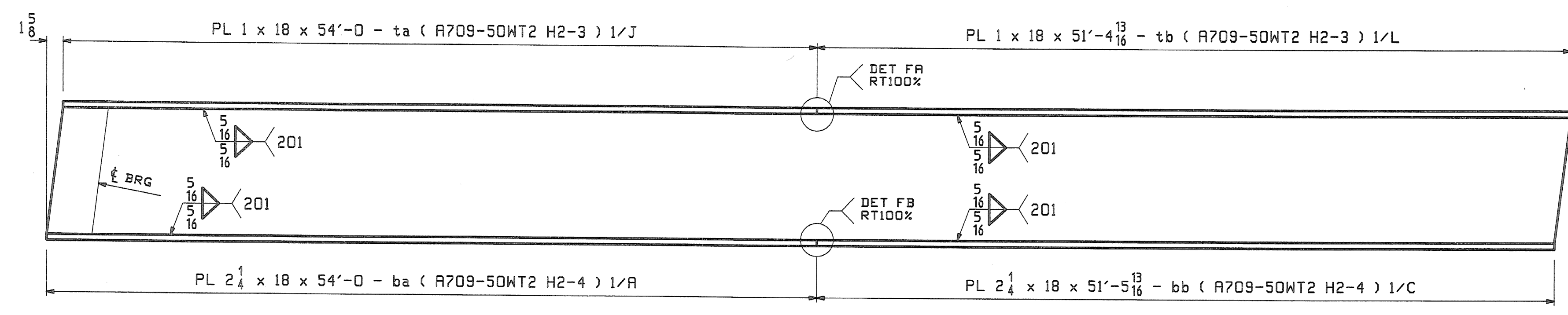
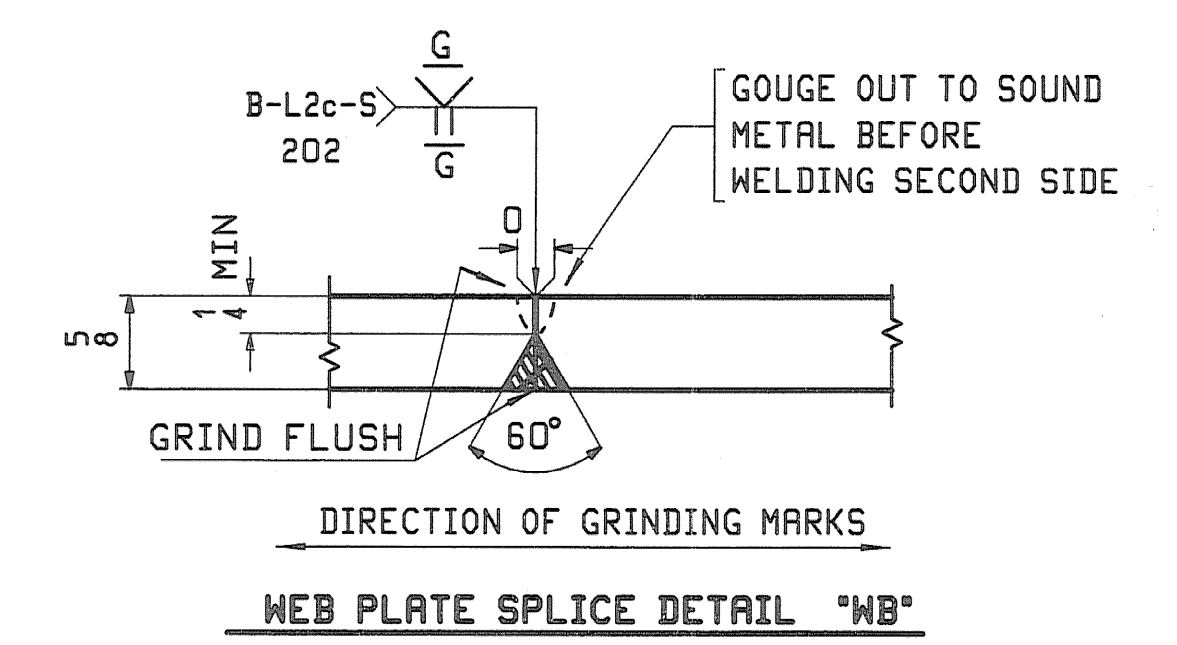


CAMBER DIAGRAM FOR 1G1A THRU 5G5A

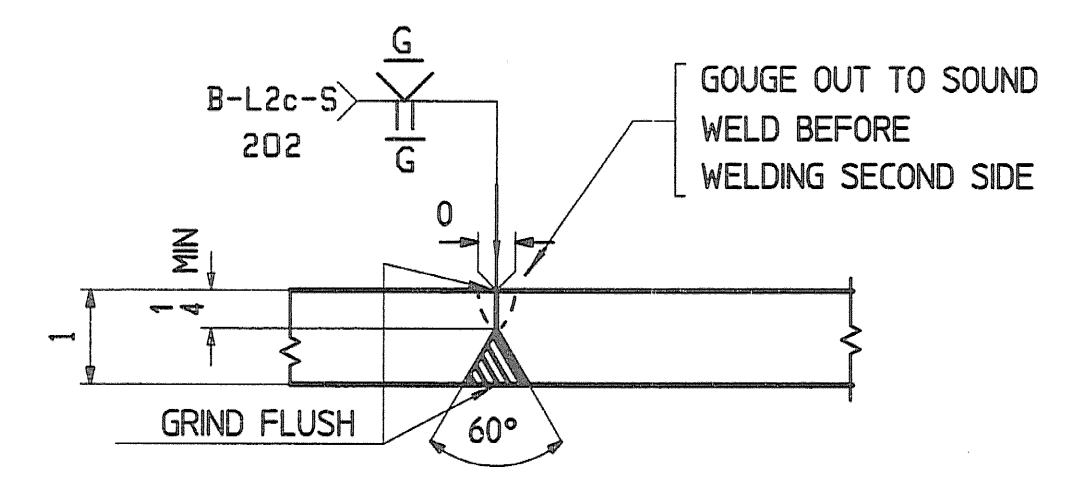


FLANGE DIAGRAM FOR 1G1A THRU 5G5A

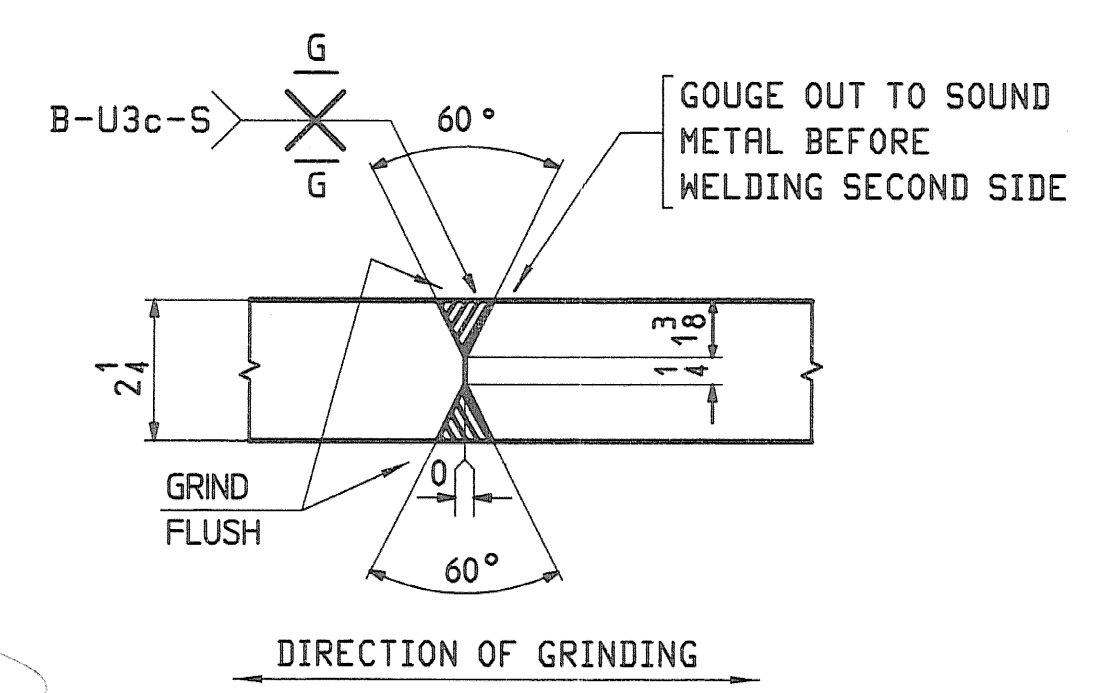
*Camber elevations
Camber base line*



WEB PLATE SPLICE DETAIL "WB"



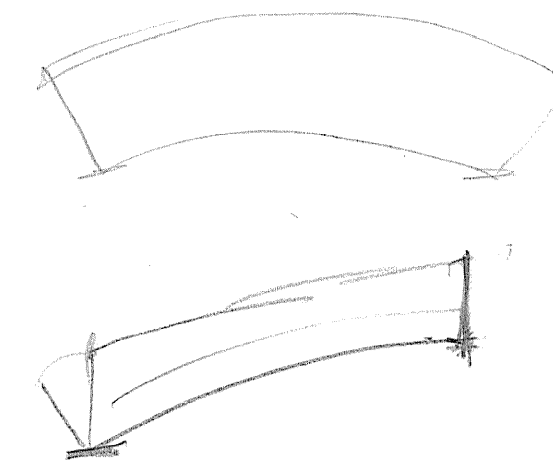
FLANGE PLATE SPLICE DETAIL "FA"



FLANGE PLATE SPLICE DETAIL "FB"

NOTES:

1. FOR GENERAL NOTES SEE DWG GNI.
2. H2-3/H2-4 DENOTES MATERIAL SUBJECT TO CHARPY V-NOTCH TEST AT H FREQ. FOR ZONE 2



RECEIVED
 CKD BY *WBL* OK'D BY *CEC*
 MAY 15 2008
 RESUBMIT APPROVED
 BY _____ DATE _____

REV.	DATE	REMARKS	DWN	CHK	APVL	SHOP
0						5-12-08
MATERIAL:		SURFACE PREP. & PAINT:	HOLES:		SHOP BOLTS:	
A709-50W (UN)		AS NOTED ON GNI				
DESCRIPTION: CAMBER & FLANGE DIAGRAM						
CASCO BAY STEEL STRUCTURES, INC. 75 SPRING HILL ROAD SACO, MAINE 04072 PHONE (207) 282-7360 FAX. (207) 282-1179						
STRUCTURE: TH24 over Hoosic River BRIDGE NO. 41 POWNAL, VERMONT COUNTY OF BENNINGTON			DRAWN: JTB	DATE: 04/21		
			CHKD: TM	DATE: 05/05		
LOCATION: TOWN OF POWNAL			JOB NO. 367	DWG NO. C1		
PROJ NO. BRZ 1441 (19) C/2						
CUSTOMER: VERMONT AGENCY OF TRANSPORTATION						