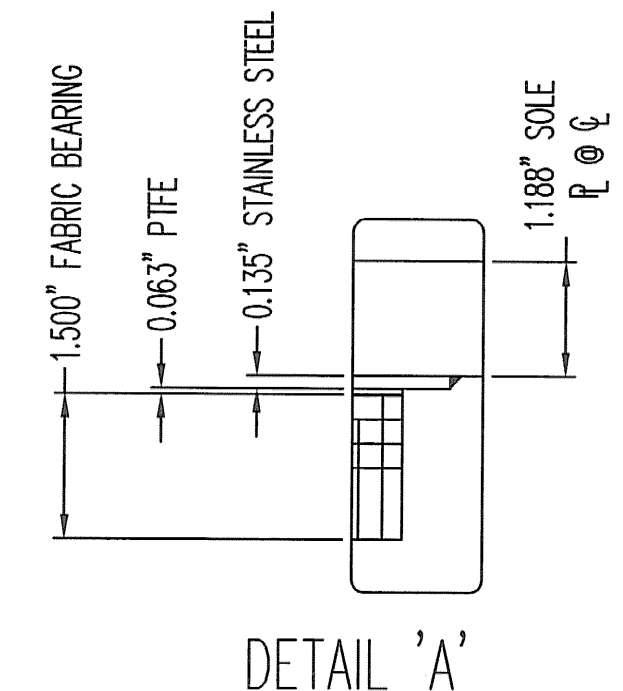
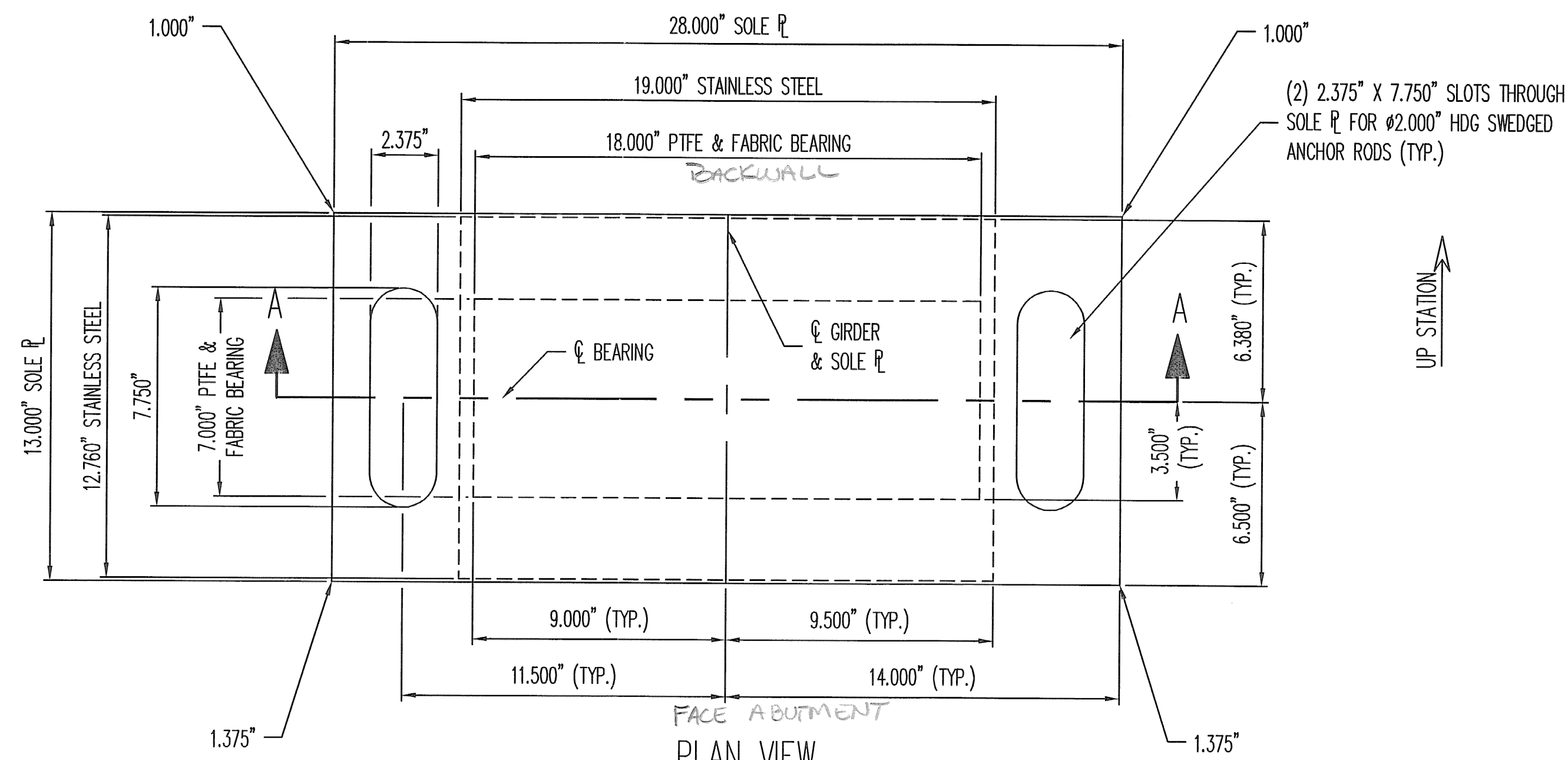


MK	QTY.	DESCRIPTION	MATERIAL	LENGTH	REMARKS	PART NO.
1A	5	FABRIC BEARING				
1a1	5	1.500" X 18.000"	VT 731.01	7.000"		
1a2	5	0.063" X 18.000"	PTFE	7.000"	PURE VIRGIN UNFILLED	
1a3	5	10 GA. X 19.000"	A240 T304, #8 & 2B	12.760"	PLAIN	
1sp1	5	1.375" X 28.000"	A709 GR 50 OR 50W	13.000"	A123-HDG, PAINT	

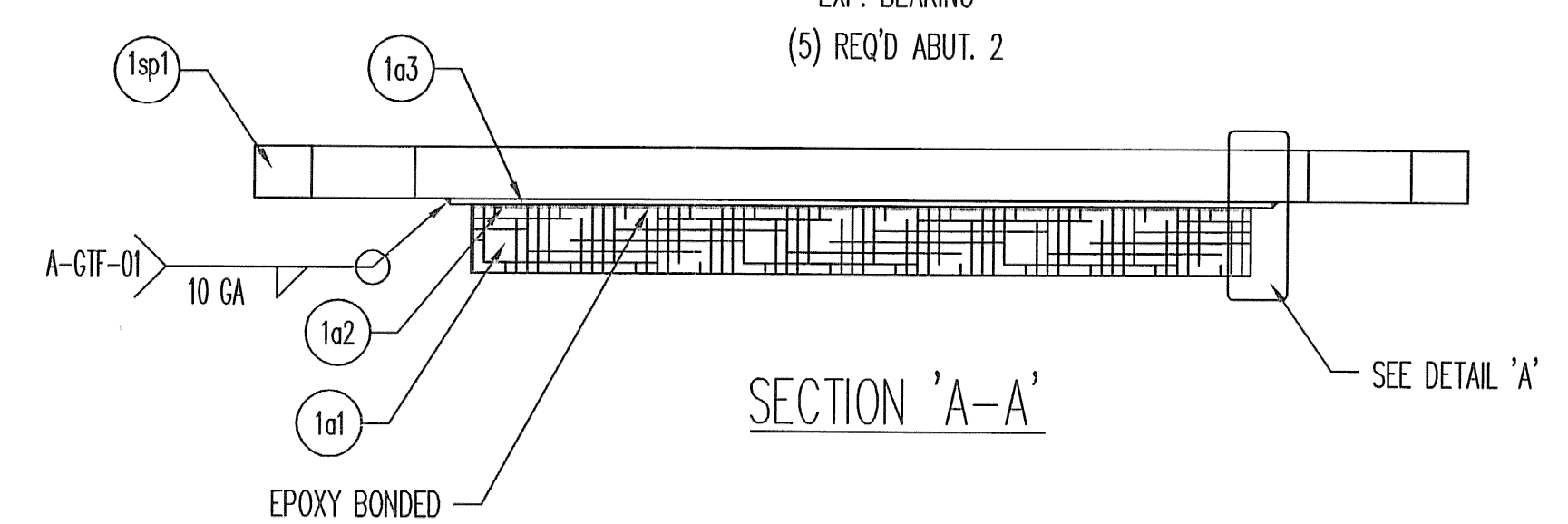
NOTE: ALL MATERIAL SPECIFICATION DESCRIPTIONS ARE ASTM, UNLESS OTHERWISE NOTED.



LOAD DATA	23215-1106-1
MAX VERTICAL DL	125.0 k
MAX HORIZONTAL DL	12.5 k

SEE SHEET 0N1 FOR GENERAL NOTES AND COATING LIMITS
SEE SHEET 3 FOR ANCHOR ROD ASSEMBLY

RECEIVED
CKD BY *WBC* OKD BY *AWC*
MAY 30 2008
RESUBMIT APPROVED
BY *RW* DATE *6-9-08*



REV.	DESCRIPTION	DATE	DET.	CKD.
	LOCATION — TH 24 OVER HOOSIC RIVER		ITEM	QUANTITY
	BRIDGE — 41		23125-1106-2	5 OF 5
	PROJECT — BRZ 1441(19) C/2			
	P.O. NO. — 84934			
	DESIGNER — VTDOT			
	CUSTOMER — FRANK W WHITCOMB CONSTRUCTION			
DESCRIPTION		SCALE	DRAWN BY	CHECKED BY
VERSIFLEX PREFORMED FABRIC BEARING		N.T.S.	SP	NRH
BENNINGTON CO., VT		PRODUCT NUMBER	PRODUCT CODE	RELEASE
		23215	1106	1
		DATE	SHEET	
		5/08	1	

D.S. BROWN

THE D.S. BROWN COMPANY
300 E. CHERRY STREET
NORTH BALTIMORE, OHIO 45872
419.257.3561
FAX: 419.257.0332
WWW.DSBROWN.COM