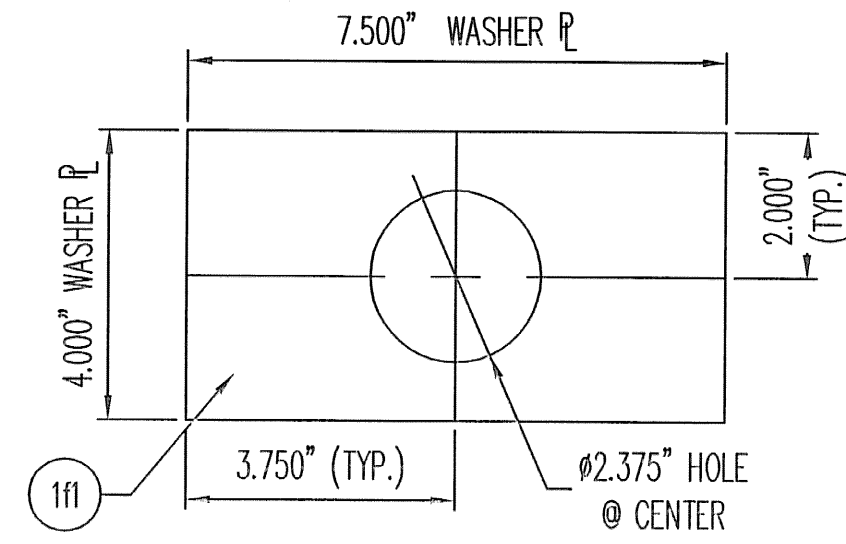


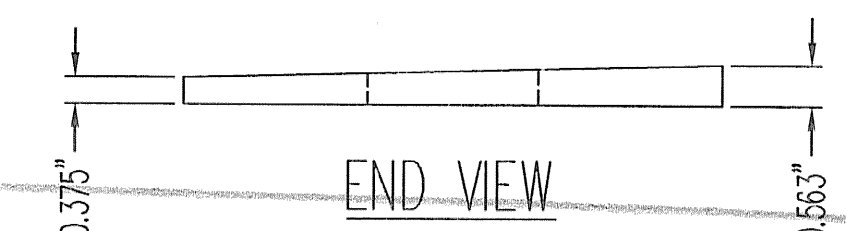
PMG-403		
CAPACITY	VERTICAL	403.0 k
	HORIZONTAL	56.6 k
MOVEMENT	LONGITUDINAL	3.500"
	TRANSVERSE	0
ROTATION	0.03	RADIANS
QUANTITY	5	
HEIGHT DESIGNED	HEIGHT IN PLANS	
	DIFFERENCE	-1.157"
UNDERLAYMENT INC IN H (Y/N) ?	Y	

LOCATION: PIER



PLAN VIEW

WASHER PLATE

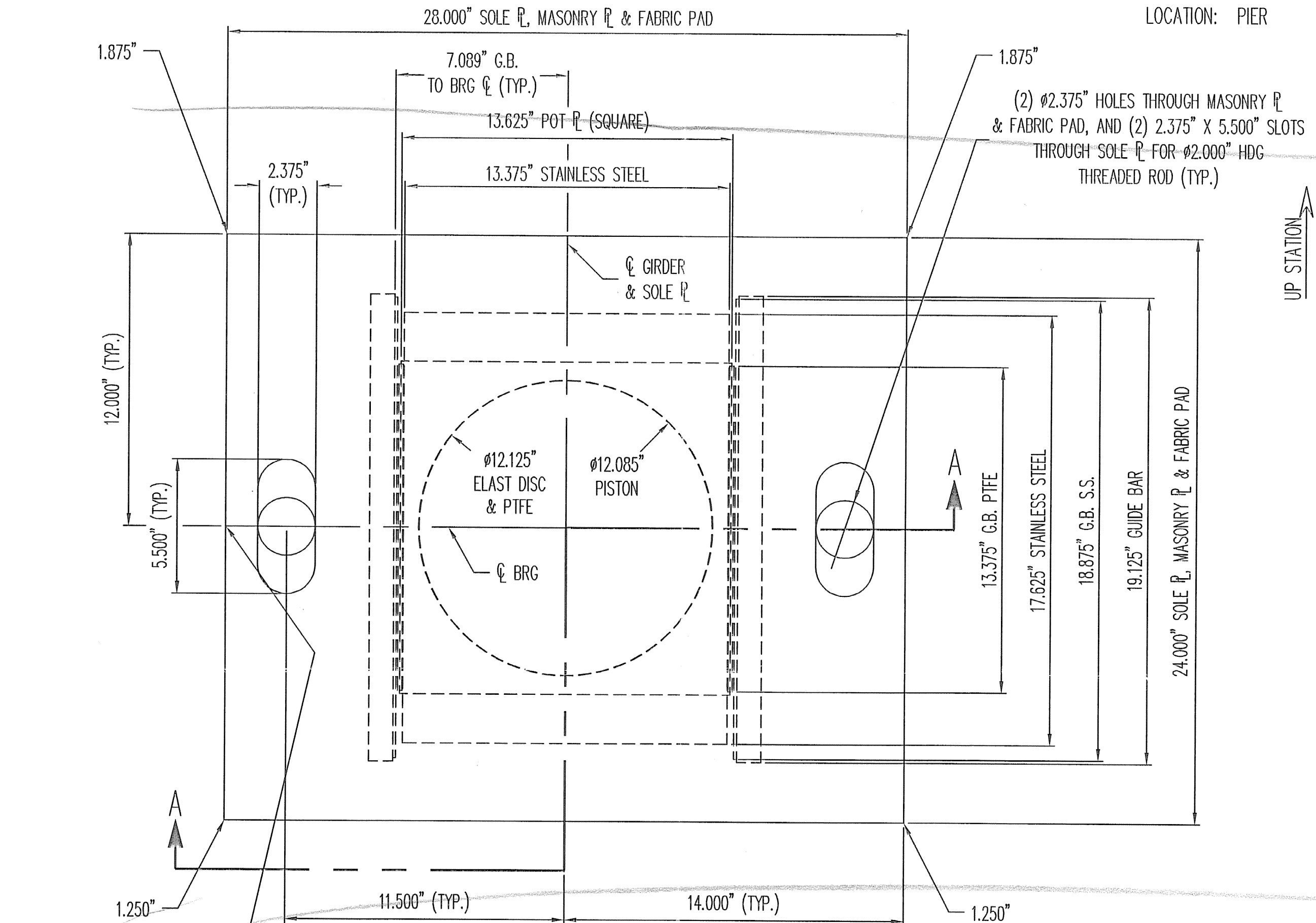


END VIEW

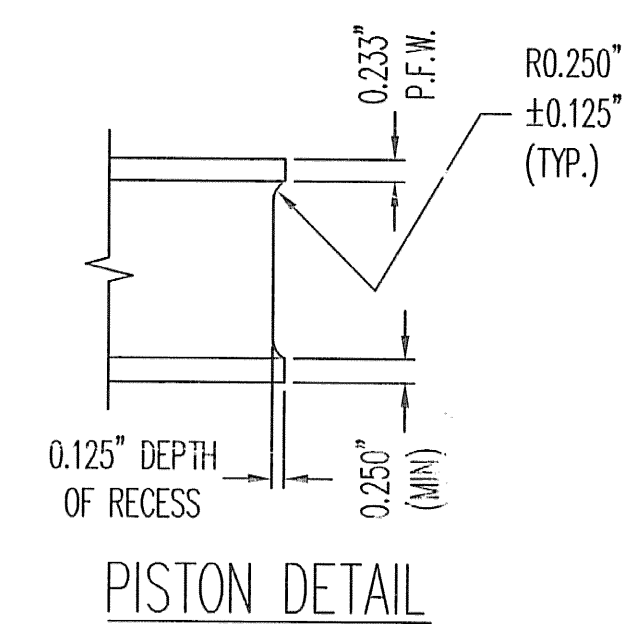
PLEASE VERIFY CONTRACT PLANS SPECIFY SECTION 731.02 WHICH IS "RESERVED". THE DS BROWN CO WILL SUPPLY AS NOTED UNLESS MARKED OTHERWISE.

MK	QTY.	DESCRIPTION	MATERIAL	LENGTH	REMARKS	PART NO.
1A	5	PMG-403				
1a1	5	1.250" X 12.125" Ø	NEOPRENE		50+/-5 DURO GR.3	
1a2	15	0.094" X 0.375" X 12.125" Ø	B36 HALF-HARD		PLAIN	
1a3	5	0.188" X 12.125" Ø	PTFE		PURE VIRGIN UNFILLED	
1a4	10	0.188" X 1.000"	GB PTFE	13.375"	PIGMENTED	
1a5	5	11 GA. X 13.375"	A240 T304, #8 & 2B	17.625"	PLAIN	
1a6	10	11 GA. X 1.250"	A240 T304, #8 & 2B	18.875"	PLAIN	
1qb1	10	1.750" X 1.000"	A709 GR 50 OR 50W	19.125"	METALIZE, SEAL	
1mp1	5	2.750" X 28.000"	A709 GR 50 OR 50W	24.000"	METALIZE, SEAL	
1ps1	5	2.320" X 12.085" Ø	A709 GR 50 OR 50W		METALIZE, SEAL	
1pl1	5	3.350" X 13.625"	A709 GR 50 OR 50W	13.625"	METALIZE, SEAL	
1sp1	5	1.875" X 28.000"	A709 GR 50 OR 50W	24.000"	METALIZE, SEAL	
1B	5	FABRIC PAD				
1b1	5	0.125" X 28.000"	VT 731.01	24.000"	HOLES	
1C	10	THREADED ROD				
1c1	10	2.000" X 28.000" THREADED ROD	A449		A153-HDG	
1D	20	HEAVY HEX NUT				
1d1	20	2.000" Ø HEX NUT	A563-DH OR A194-2H		DYE & LUBE; A153-HDG	
1F	10	BEVELED WASHER PLATE				
1f1	10	0.563" X 4.000"	A36	7.500"	2.375" Ø CENTERED; A123-HDG	
1G	10	FLAT WASHER				
1g1	10	2.000" Ø FLAT WASHER	F436		A153-HDG	

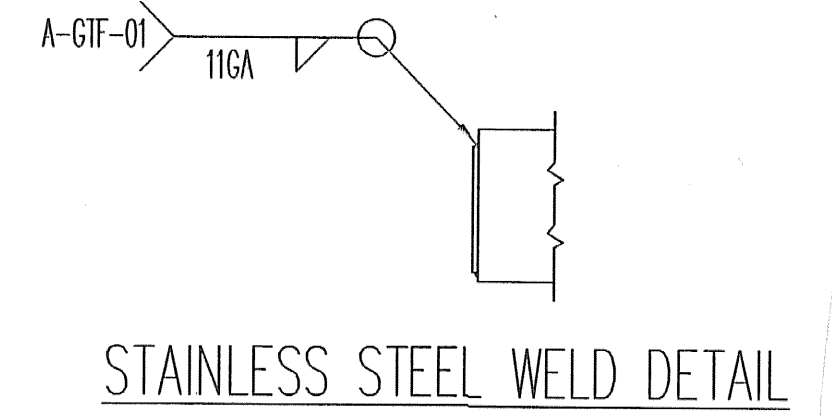
NOTE: ALL MATERIAL SPECIFICATION DESCRIPTIONS ARE ASTM, UNLESS OTHERWISE NOTED.



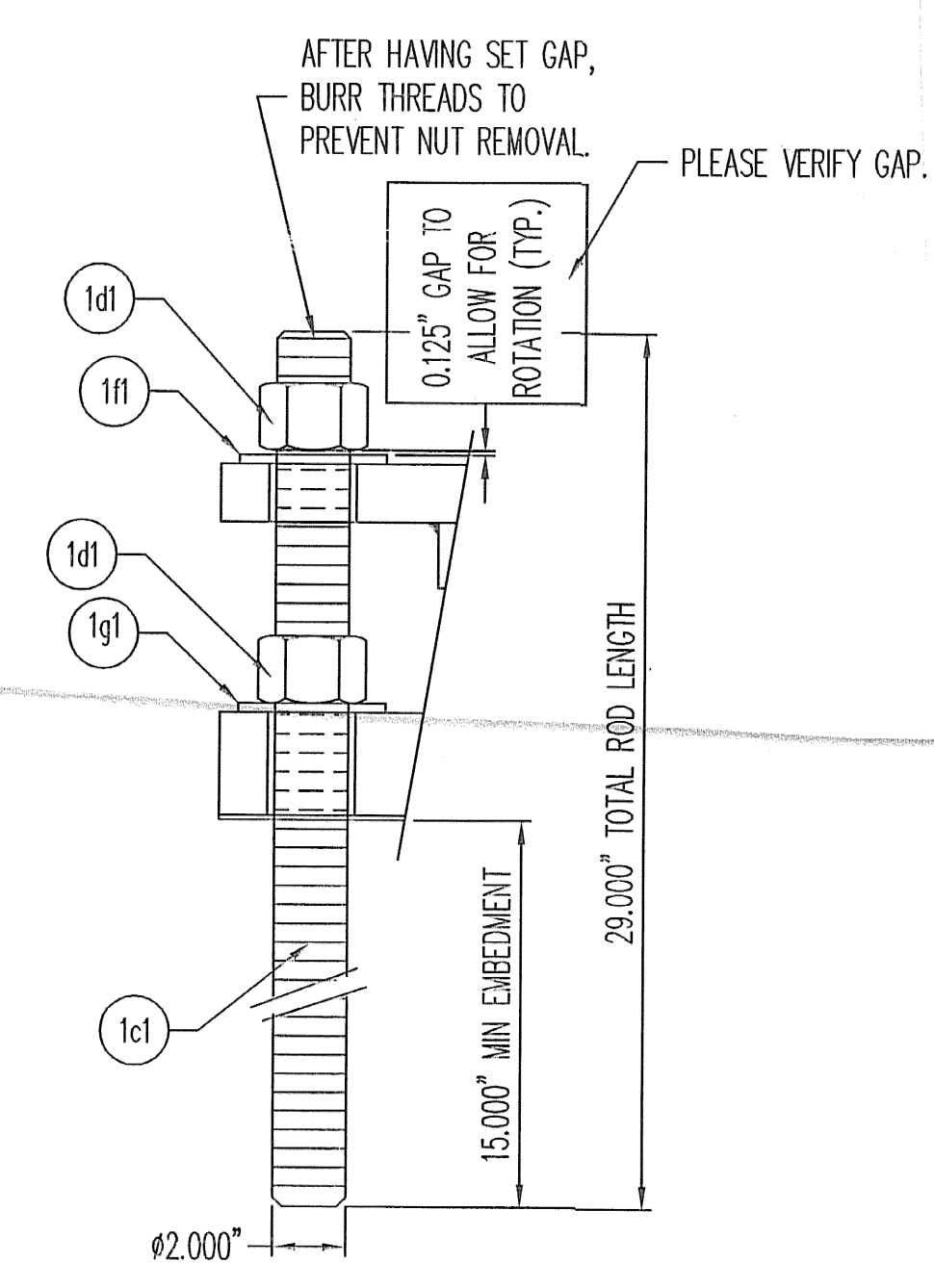
UP STATION



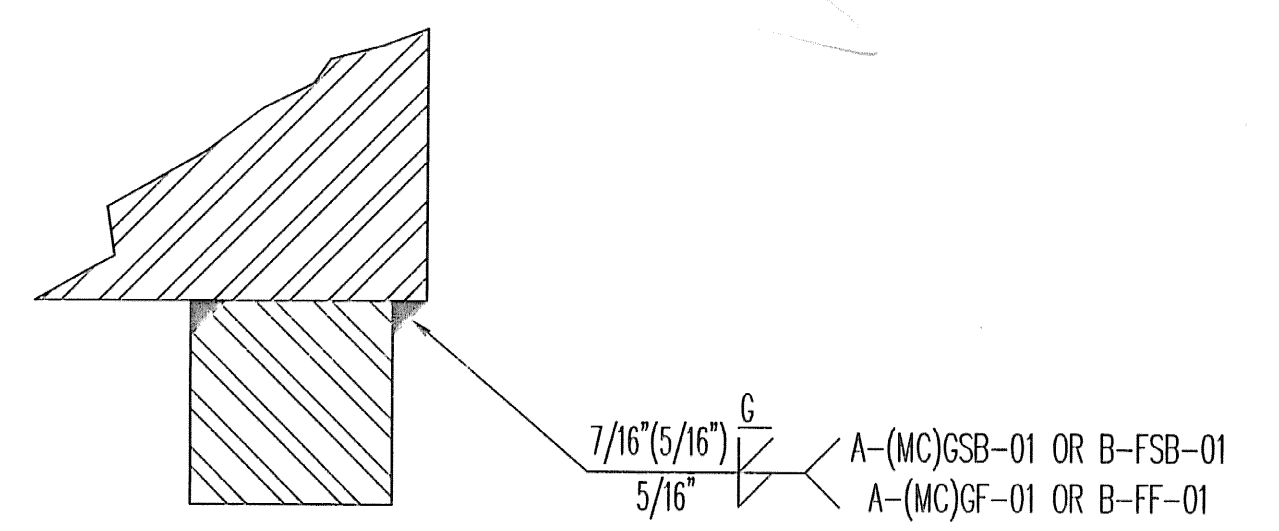
PISTON DETAIL



STAINLESS STEEL WELD DETAIL



ANCHOR ROD ASSEMBLY



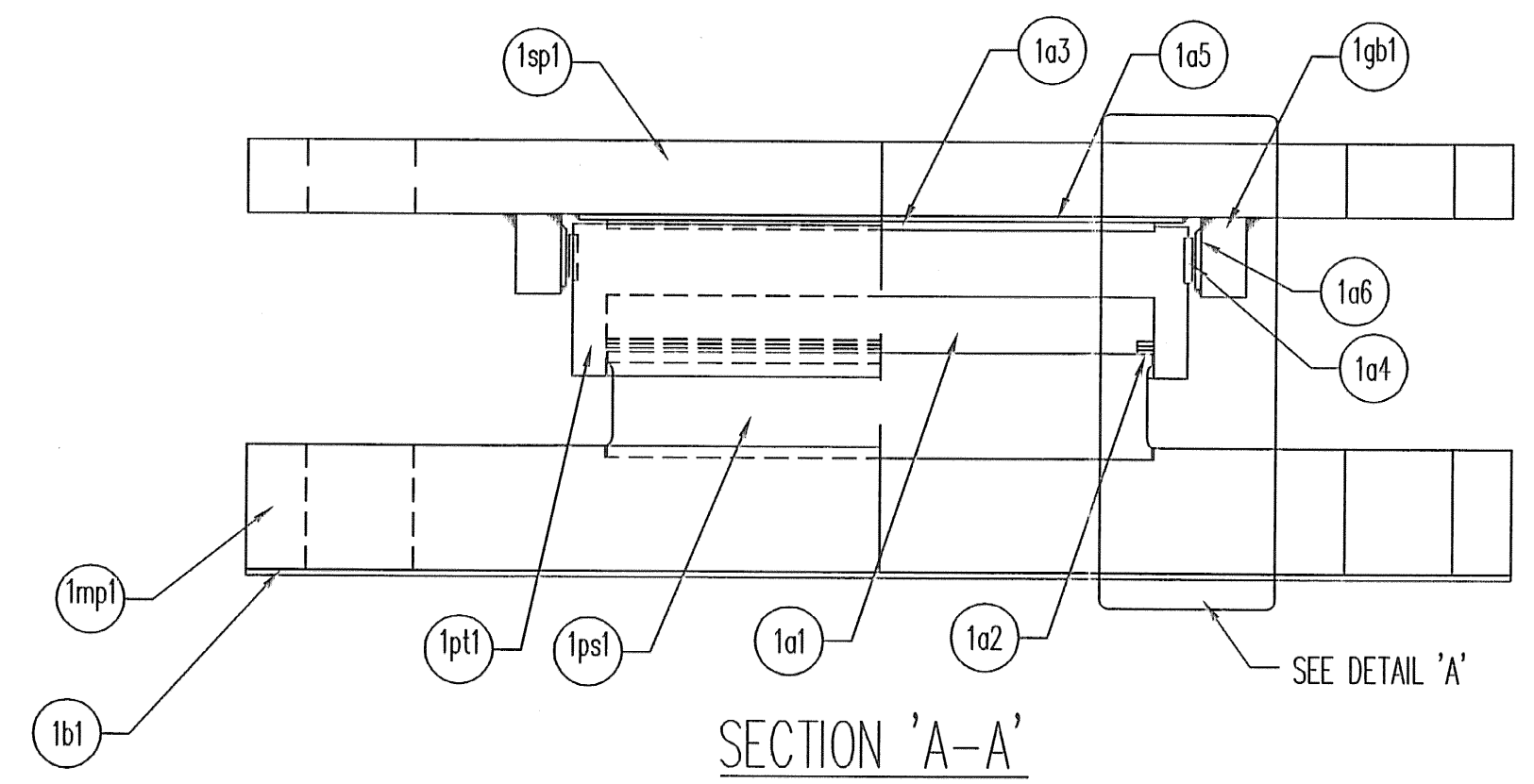
GUIDE BAR WELD DETAIL

THE DS BROWN COMPANY RESERVES THE RIGHT TO FABRICATE THE SOLE PLATE AND GUIDE BARS OUT OF A SINGLE PLATE OF STEEL. IF THE ASSEMBLY IS FABRICATED OUT OF A SINGLE PLATE OF STEEL THE SOLE PLATE OUTER DIMENSIONS WILL BE HELD; THE GUIDE BAR LENGTH MAY BE EXTENDED TO THE LENGTH OF THE SOLE PLATE, BUT THE GUIDE BAR WIDTH AND HEIGHT SHALL BE AS SHOWN.

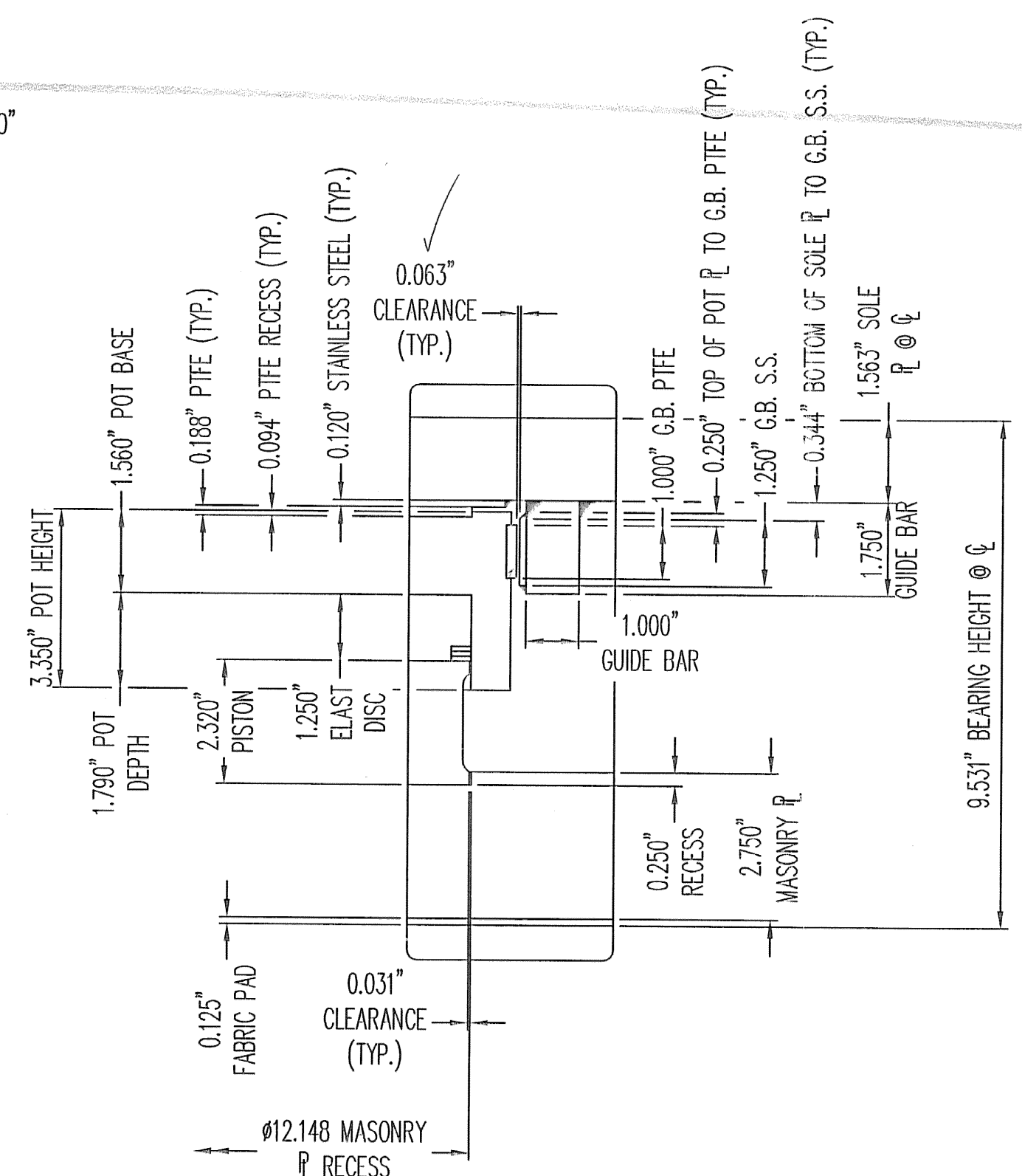
PLACE Ø MARK ON BOTH THE SOLE PLATE AND THE MASONRY PLATE VERTICAL EDGE HERE. (TYP.)

PMG-403 UNI-DIRECTIONAL VERSIFLEX HLMR BEARING

ANCHOR ASSEMBLY NOT SHOWN FOR CLARITY. SEE ANCHOR ROD ASSEMBLY DETAIL



SECTION 'A-A'



THE D.S. BROWN COMPANY
300 E. CHERRY STREET
NORTH BALTIMORE, OHIO 45872
419.257.3561
FAX: 419.257.0332
WWW.DSBROWN.COM



RECEIVED
OK'D BY *[Signature]* OK'D BY *[Signature]*
JUN 03 2008
RESUBMIT APPROVED
BY *[Signature]* DATE 6-9-08

REV.	DESCRIPTION	DATE	DET.	CKD.
	LOCATION — TH 24 OVER HOOSIC RIVER		ITEM	QUANTITY
	BRIDGE — 41		23215-1112	5 OF 5
	PROJECT — POWNAL, BRZ 1441(19) C/2			
	P.O. NO. — 84934			
	DESIGNER — VERMONT AGENCY OF TRANSPORTATION			
	CUSTOMER — FRANK W. WHITCOMB CONSTRUCTION CORP.			
DESCRIPTION		SCALE	DRAWN BY	CHECKED BY
PMG-403 VERSIFLEX HRLM BEARING		N.T.S.	SP	PMG
BENNINGTON CO., VT		PROJECT NUMBER	PRODUCT CODE	DATE
		23215	1112	5/08
				RELEASE
				1
				SHEET
				1