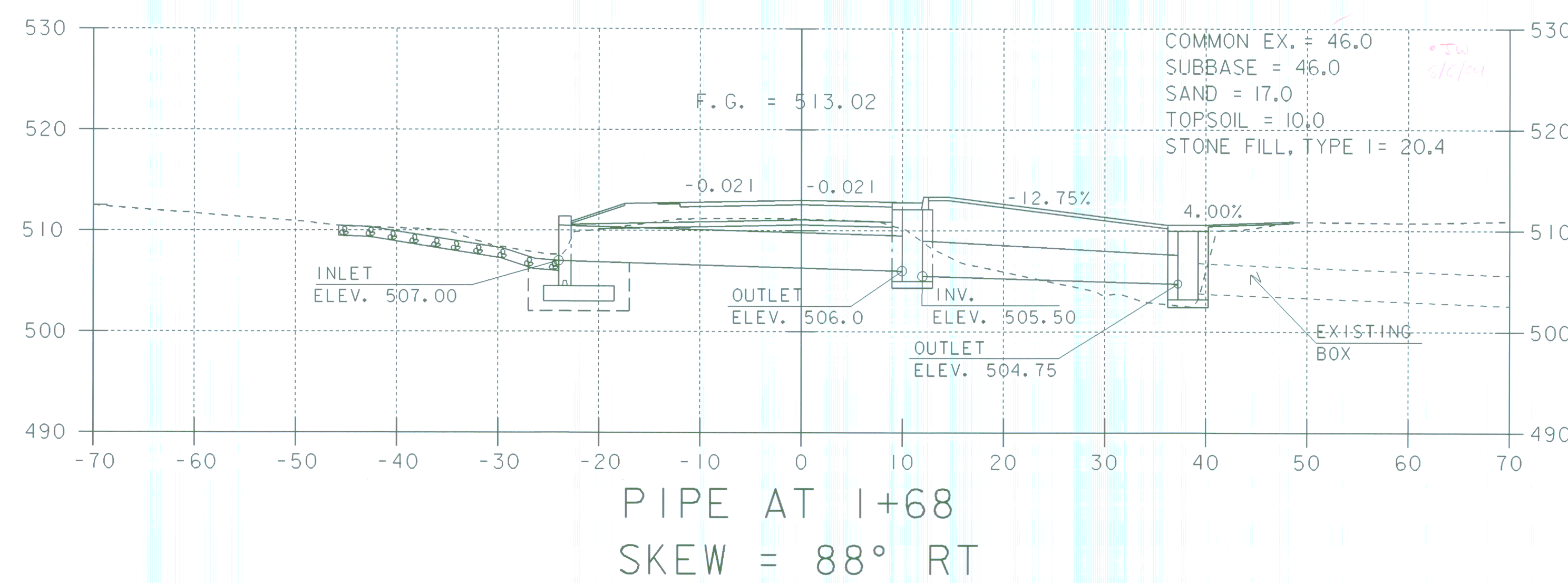
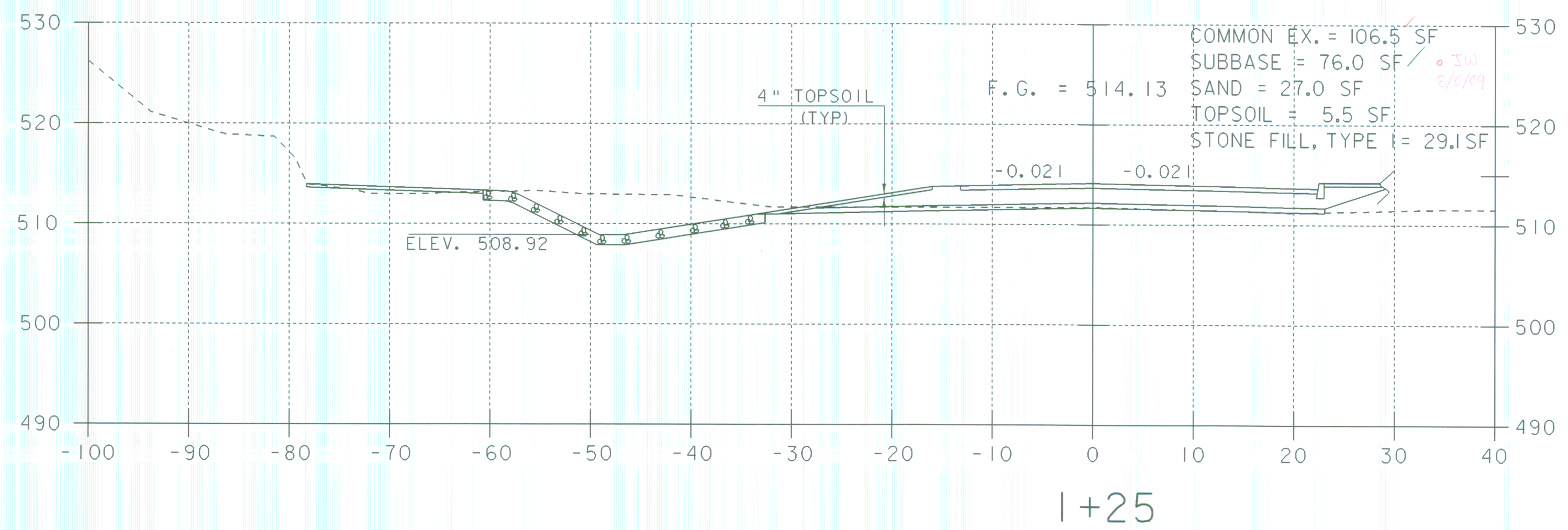
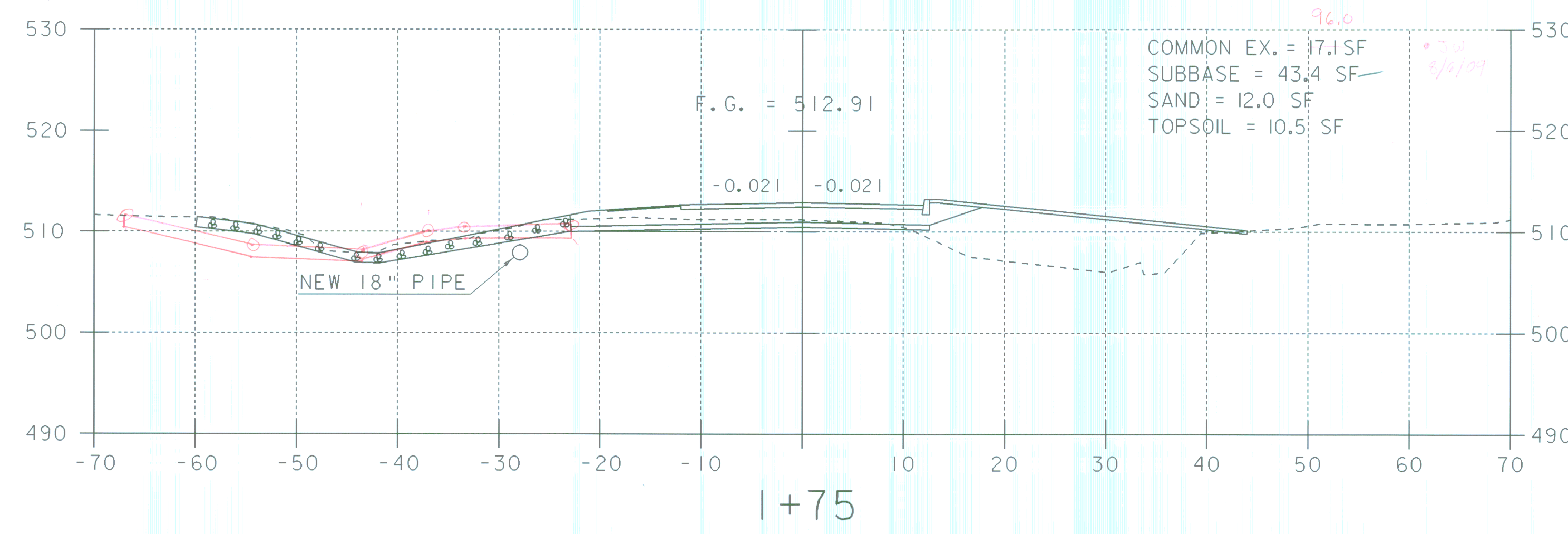
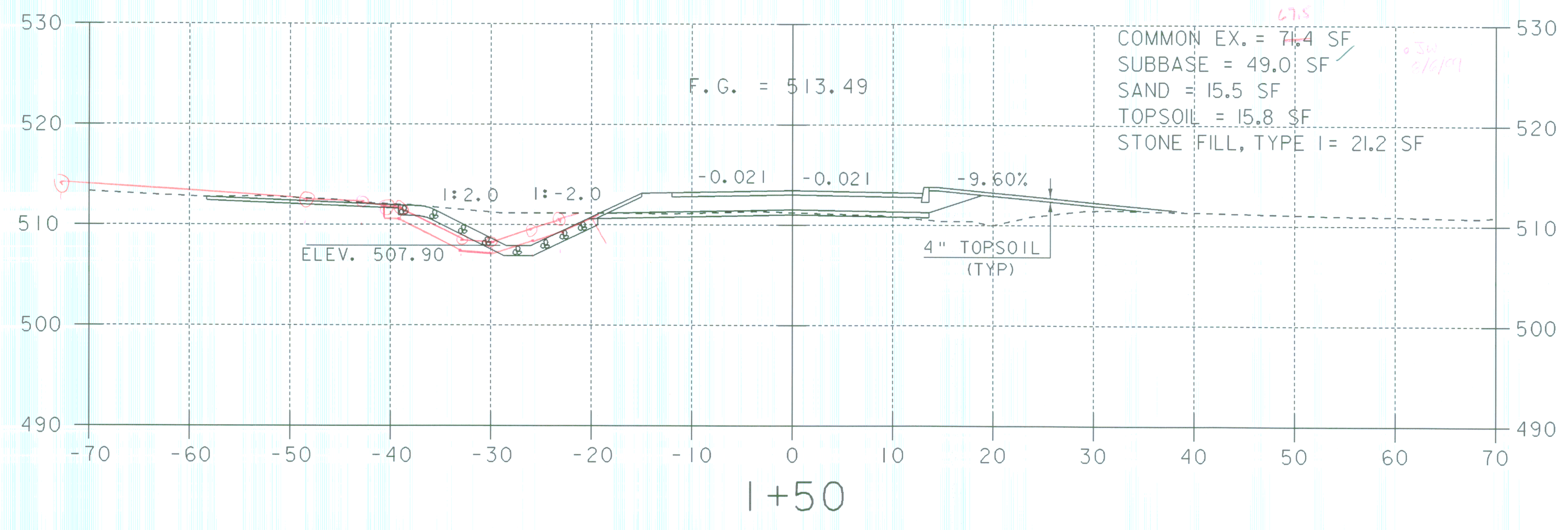
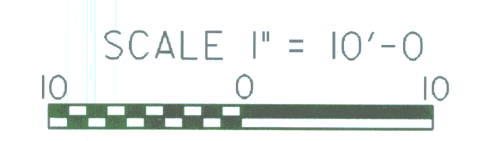


**MATERIALS TRANSITION TH 25**  
NTS



STA 1+12  
BEGIN TH 25  
SIDELINE  
CONSTRUCTION



SNAKE HILL ROAD	
SHEET NAME:	TOWN HIGHWAY 25 CROSS SECTIONS
PROJECT NAME:	POWNAI
PROJECT NUMBER:	BRZ 144(I9) C/2
FILE NAME:	87e045/str/se045xs2.dgn
PROJECT MANAGER:	R. WHITCOMB
DESIGNED BY:	C. CARLSON
HIGHWAY NO.:	TH 24
BRIDGE NO.:	41
OVER:	HOOSIC RIVER
PLOT DATE:	19-FEB-2009
DRAWN BY:	J. GILMORE
IPARM NAME:	se045sx1.1
SHEET	76 OF 108