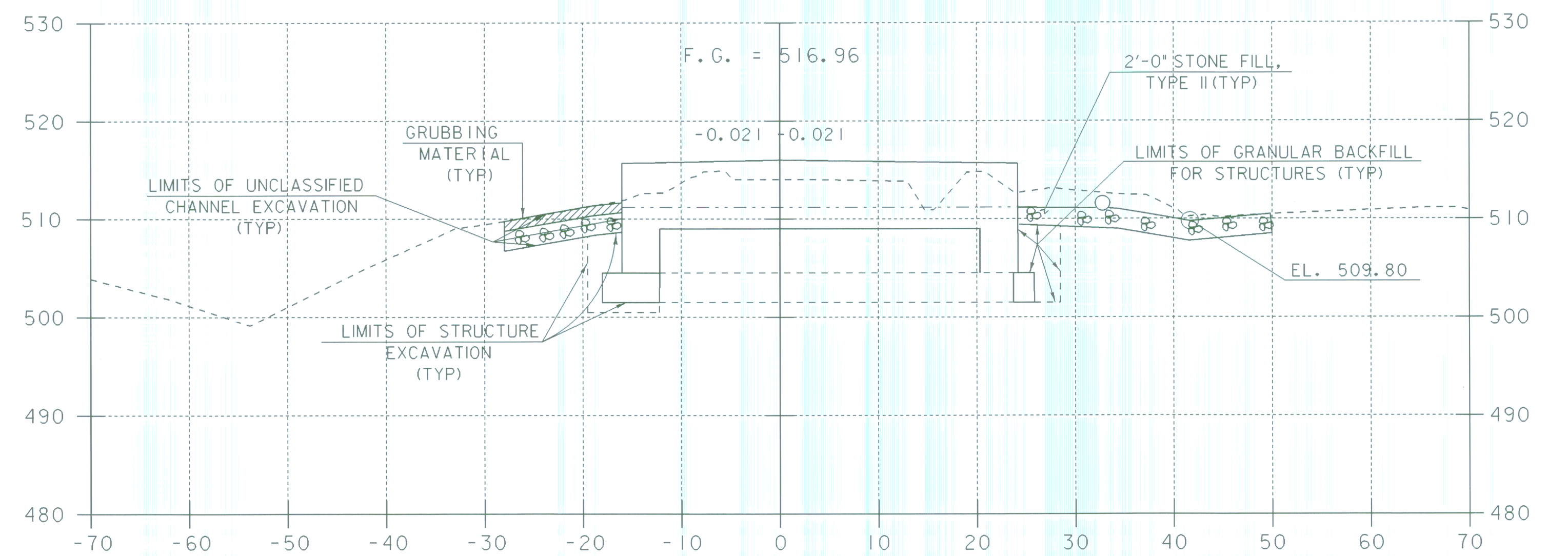
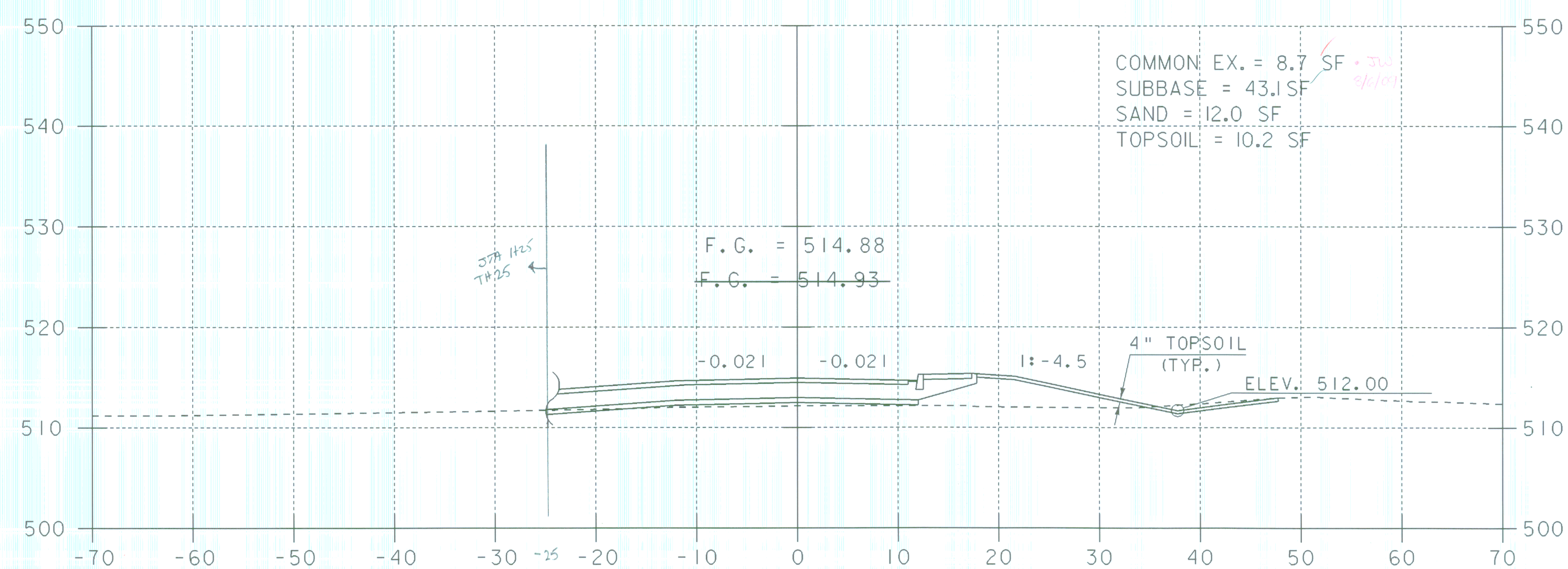


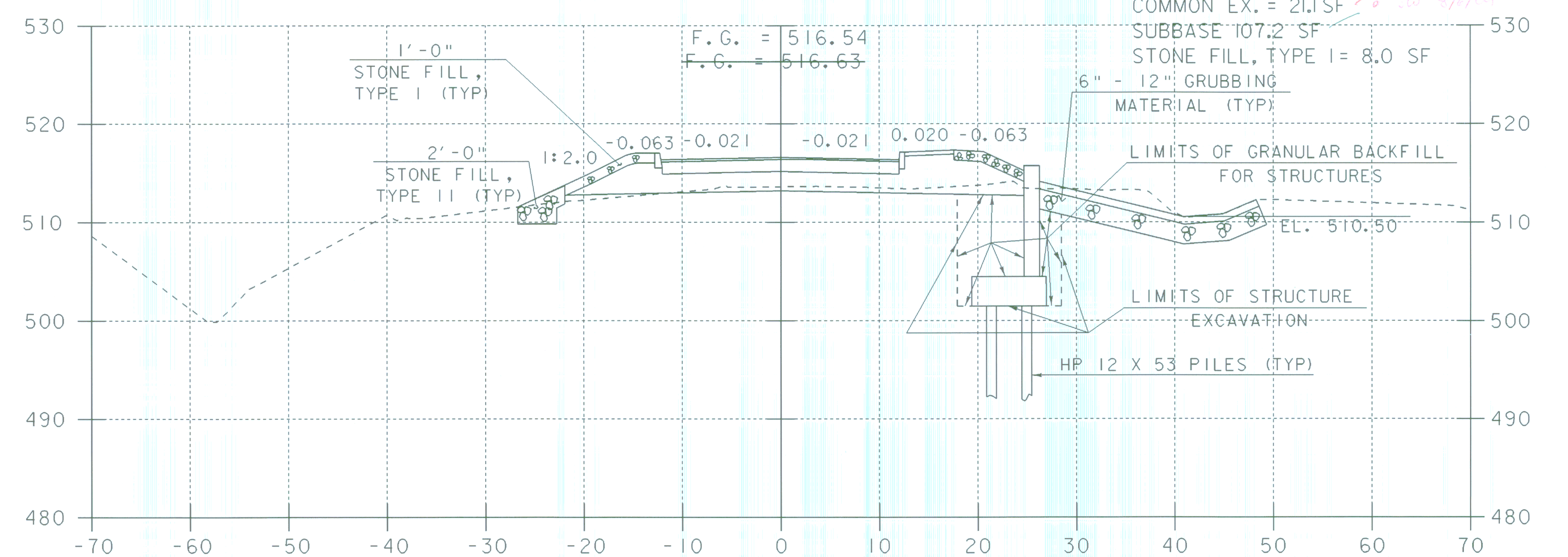
11+25



11+57.62
BEGIN BRIDGE



11+00



11+50

10+88.00 RT.
BEGIN CAST-IN-PLACE CONCRETE CURB, TYPE B
BEGIN PORTLAND CEMENT CONCRETE SIDEWALK, 5 INCH

11+57.62 LT.
END CAST-IN-PLACE CONCRETE CURB, TYPE B
END PORTLAND CEMENT CONCRETE SIDEWALK, 5 INCH

11+50.0 RT.
END SPECIAL DITCH



SHEET NAME: MAINLINE CROSS SECTIONS	
PROJECT NAME: POWNAL	HIGHWAY NO.: TH 24
PROJECT NUMBER: BRZ 144(19) C/2	BRIDGE NO.: 41
	OVER: HOOSIC RIVER
FILE NAME: 87e045/str/se045xs2.dgn	PLOT DATE: 19-FEB-2009
PROJECT MANAGER: R. WHITCOMB	DRAWN BY: J.GILMORE
DESIGNED BY: C. CARLSON	IPARM NAME: se045m3.1
	SHEET 69 OF 108