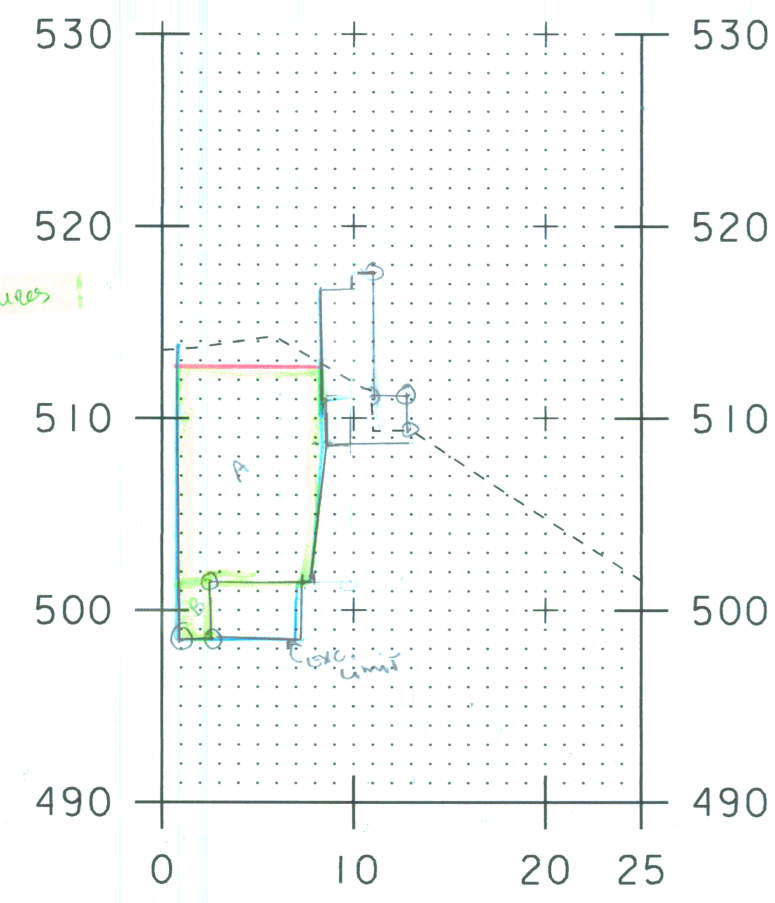
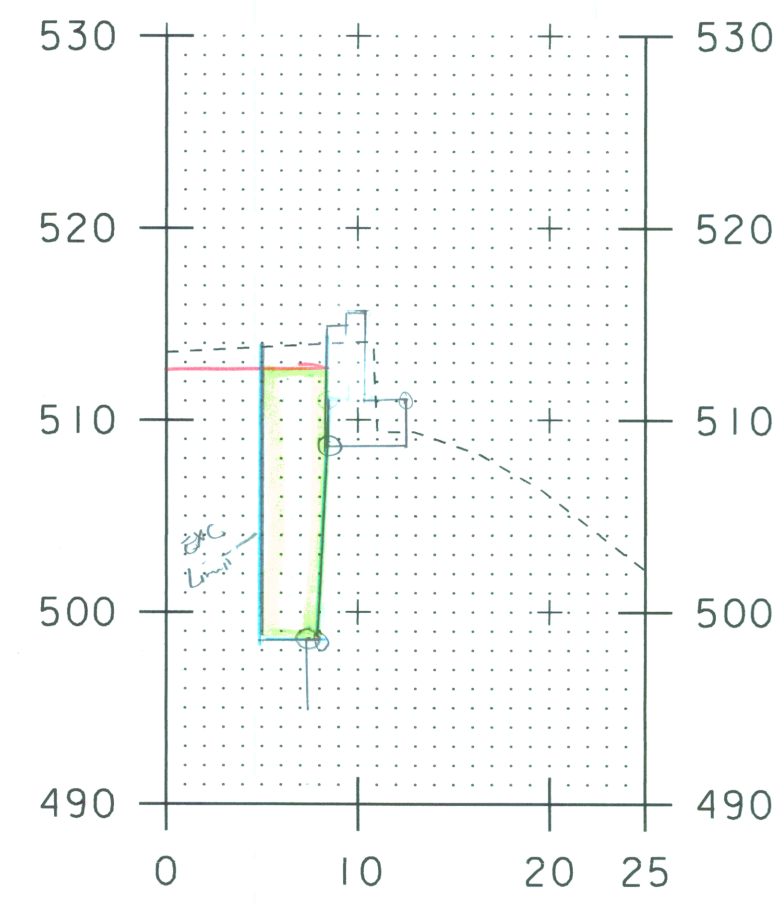


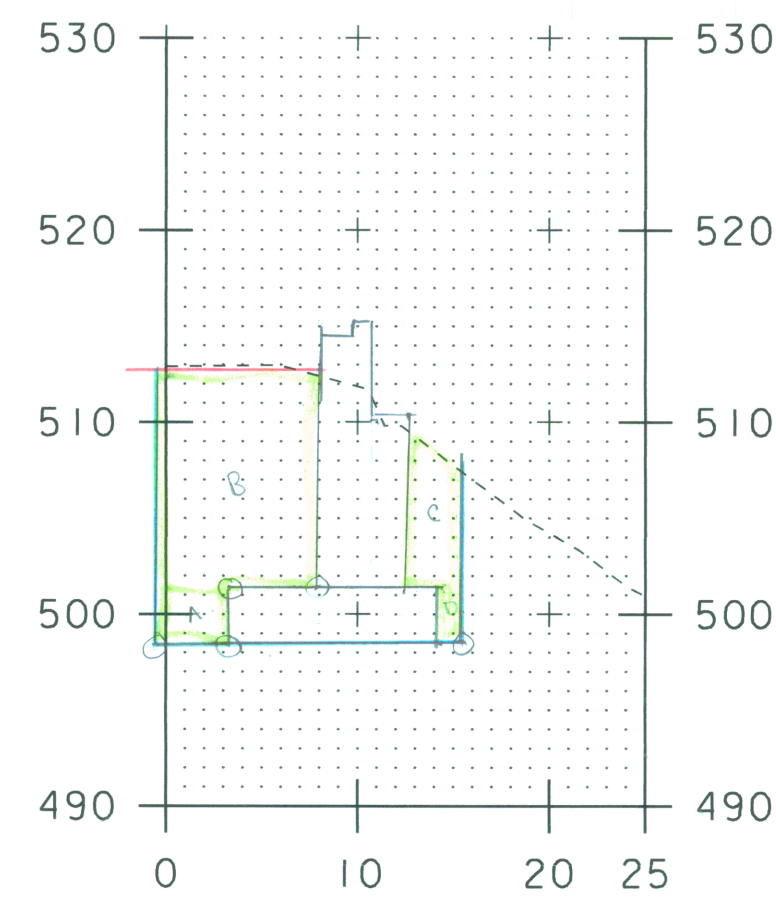
Granular Backfill for Structures:
 Area A $\frac{7+6.5}{2} \times 11 = 74.75$
 Area B $2.0 \times 3 = 6.0$
 TOTAL 80.75 ft^2



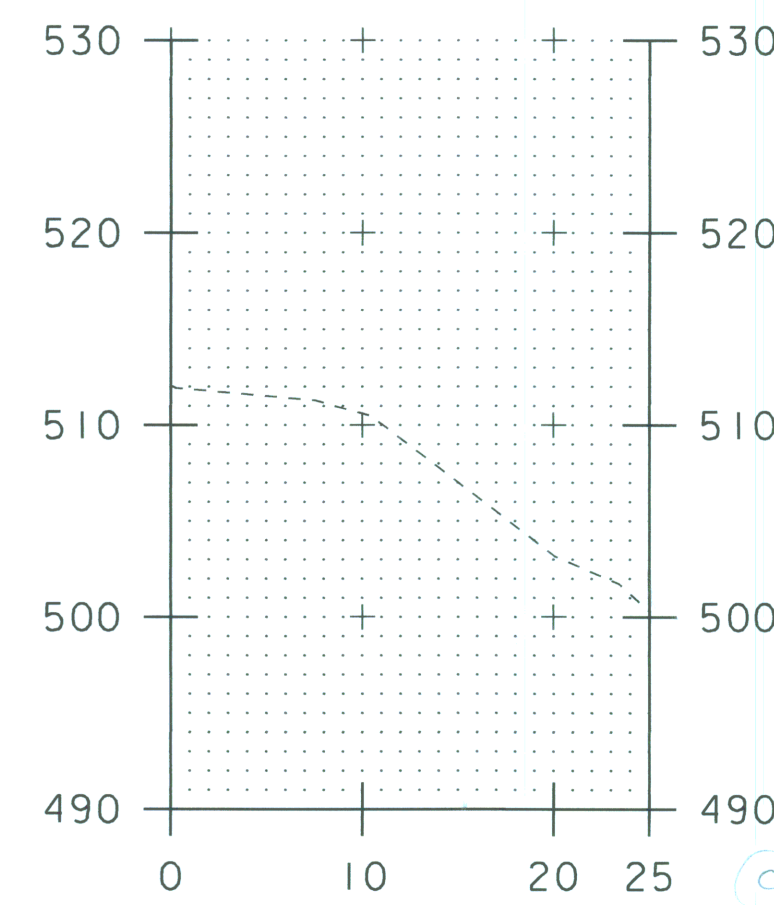
4+81.6



5+04.1
 Granular Backfill for Structures:
 $\frac{3+3.5}{2} \times 14 = 45.5 \text{ ft}^2$



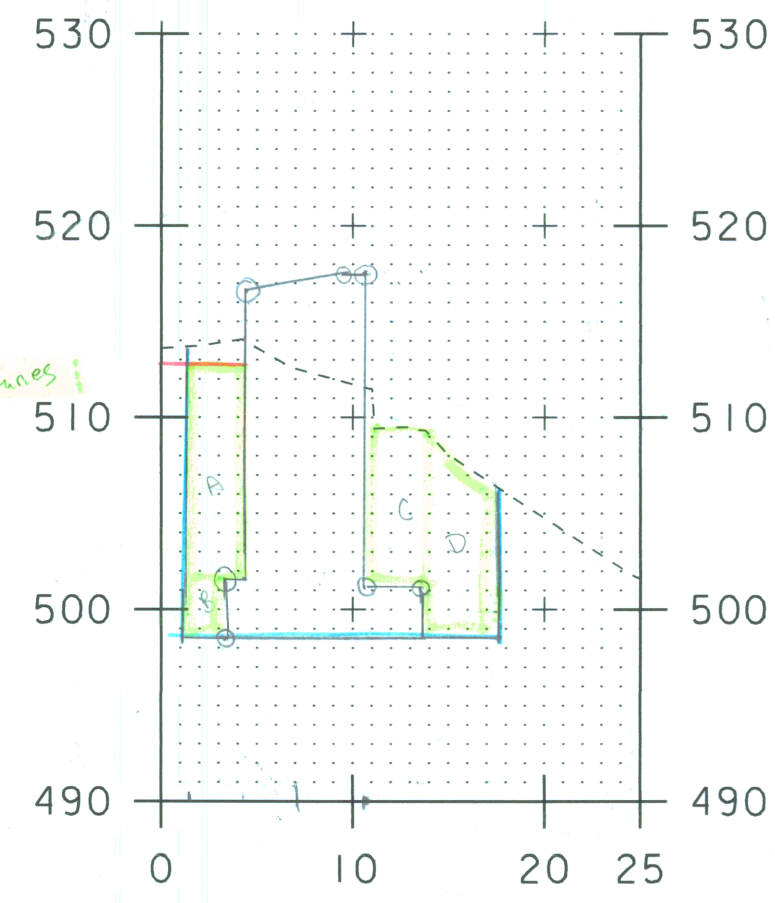
5+16.3
 Granular Backfill for Structures:
 Area A $3 \times 3 = 9.0$
 Area B $8 \times 11 = 88.0$
 Area C $2.5 \times 3 = 7.5$
 Area D $2 \times 2 = 4.0$
 TOTAL = 124.5



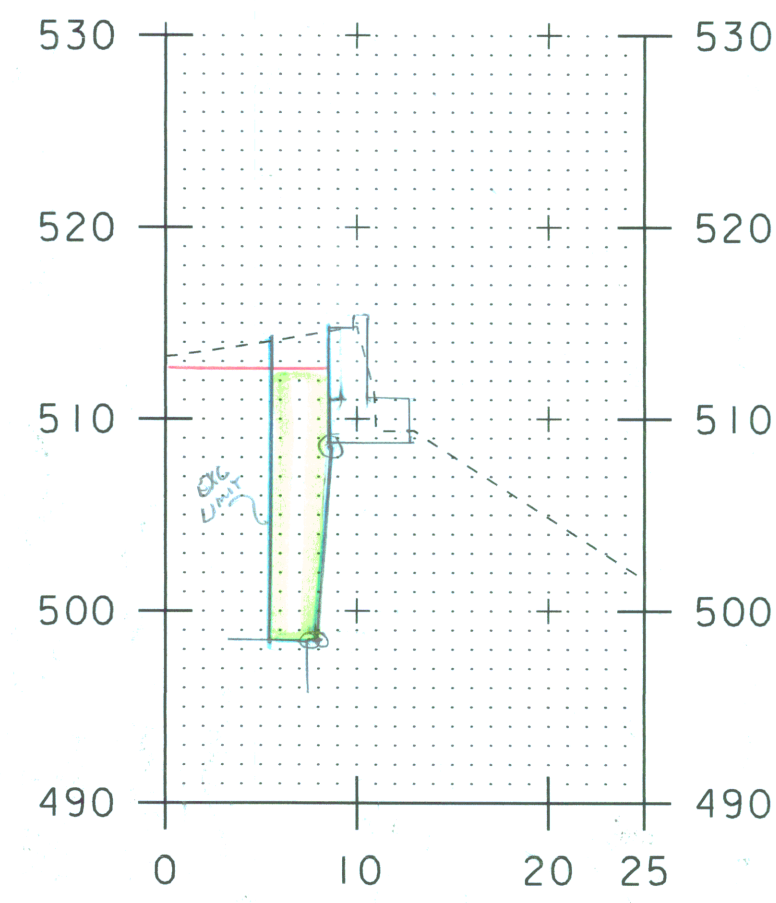
5+26

Granular Backfill for Structures

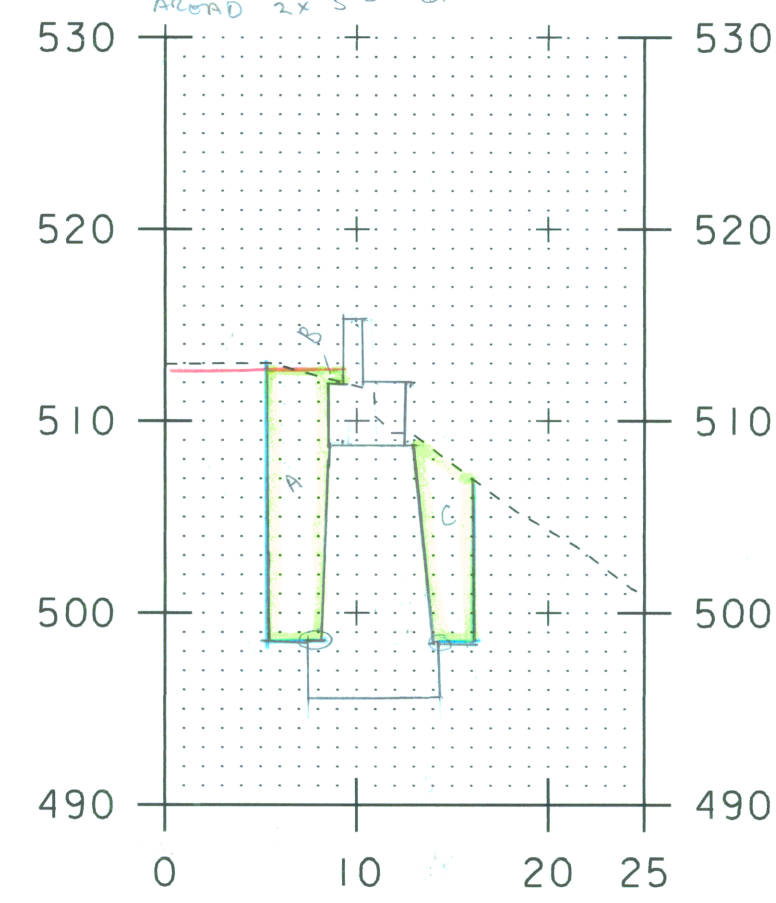
Granular Backfill for Structures:
 Area A $3 \times 11 = 33.0$
 Area B $2.5 \times 3 = 7.5$
 Area C $3 \times 2.5 = 7.5$
 Area D $\frac{10+8}{2} \times 4 = 36.0$
 TOTAL 102 ft^2



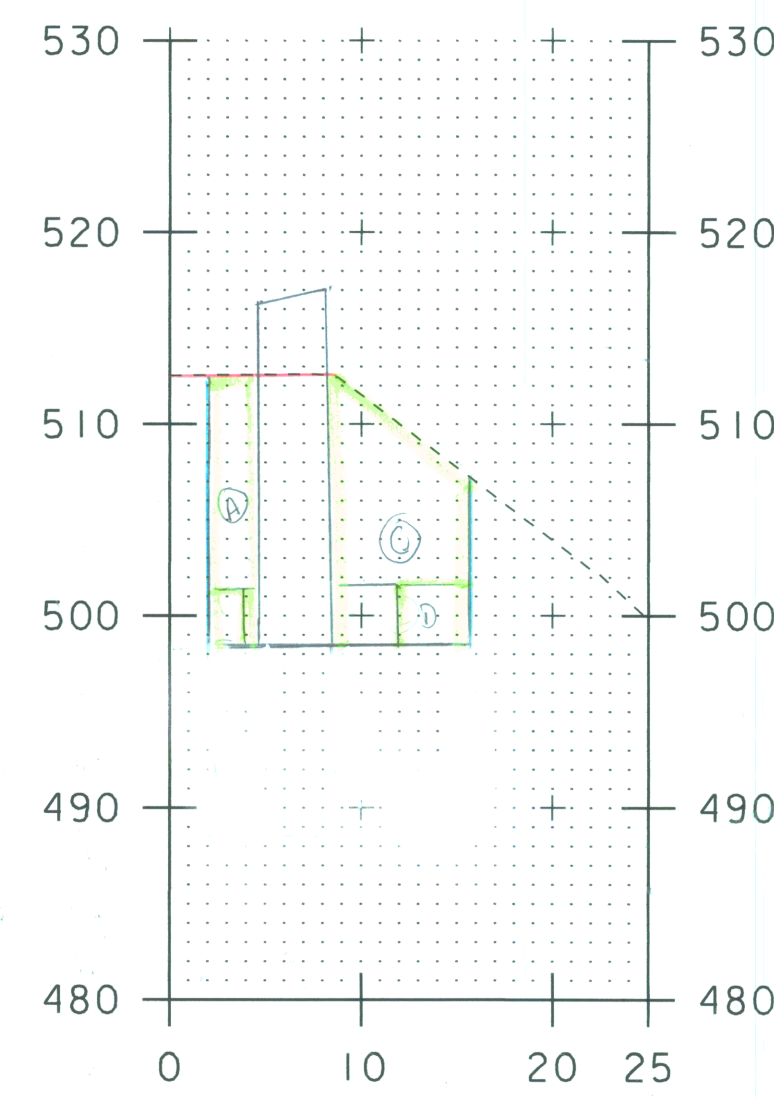
4+80.3



4+87.5
 Granular Backfill for Structures:
 $\frac{3+2.5}{2} \times 14 = 38.5 \text{ ft}^2$

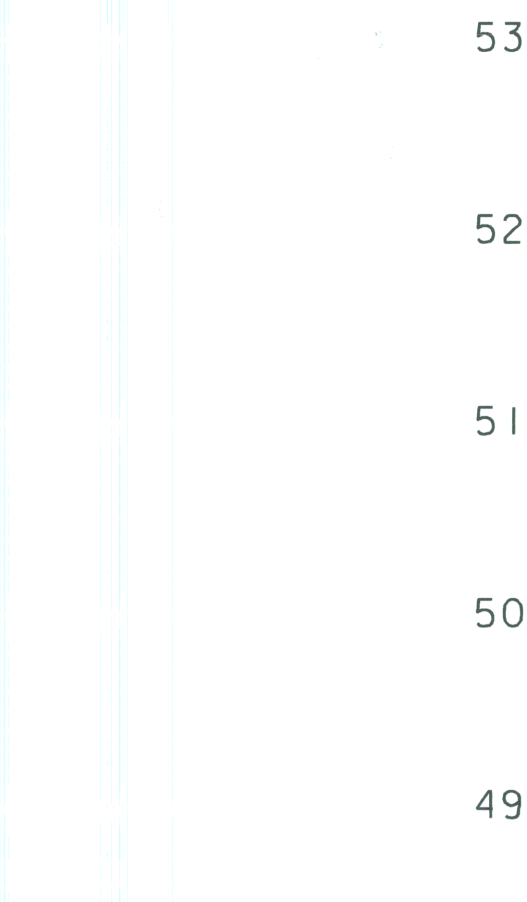


5+15.7
 Granular Backfill for Structures:
 Area A $14 \times \frac{2+1.3}{2} = 38.5$
 Area B $1 \times 1 = 1.0$
 Area C $2.3 \times 10.5 \times 2.5 = 23.75$
 TOTAL 63.25 ft^2

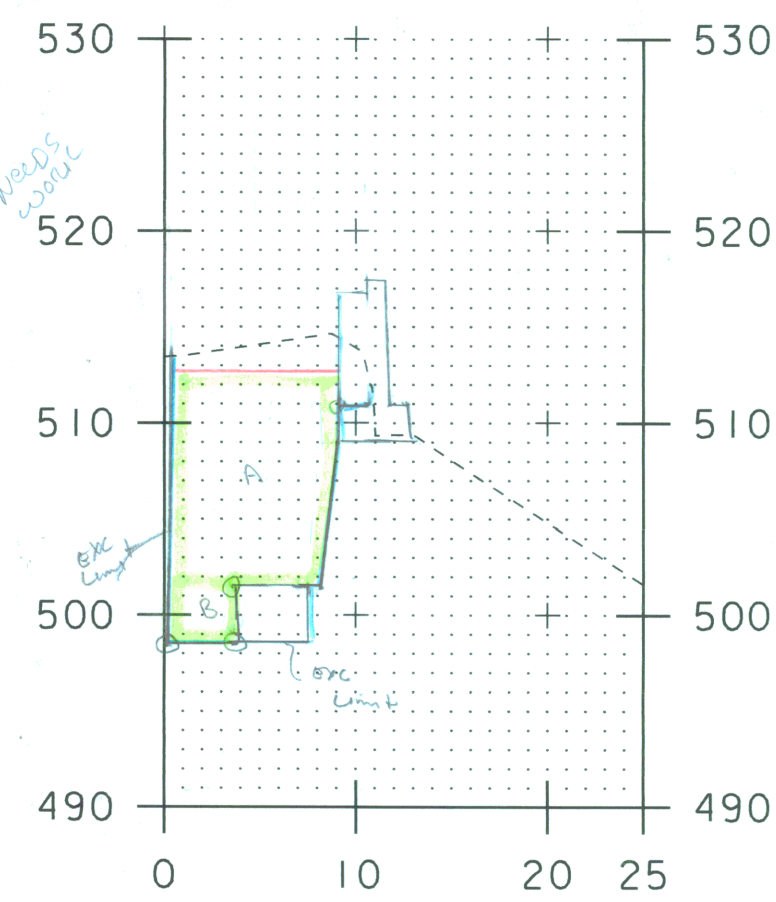


5+20.8

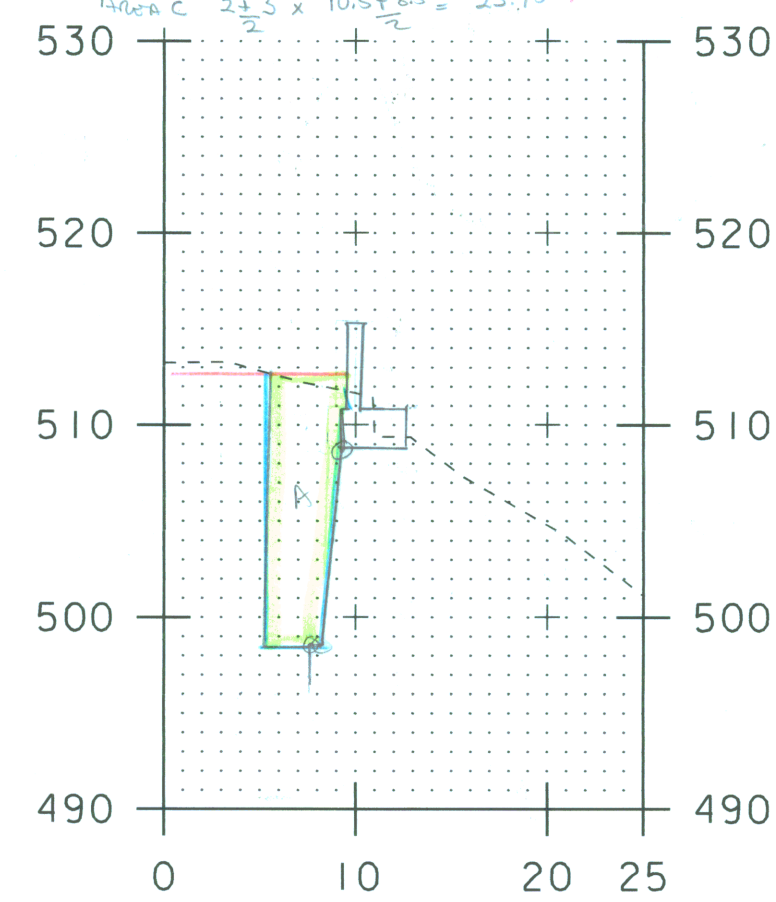
Granular Backfill for Structures:
 Area A $2.5 \times 12.0 = 30.0 \text{ ft}^2$
 Area B $2.0 \times 2.5 = 5.0 \text{ ft}^2$
 Area C $\frac{6+11}{2} \times 7 = 59.5 \text{ ft}^2$
 Area D $3.5 \times 3.5 = 12.25 \text{ ft}^2$
 TOTAL 106.75 ft^2



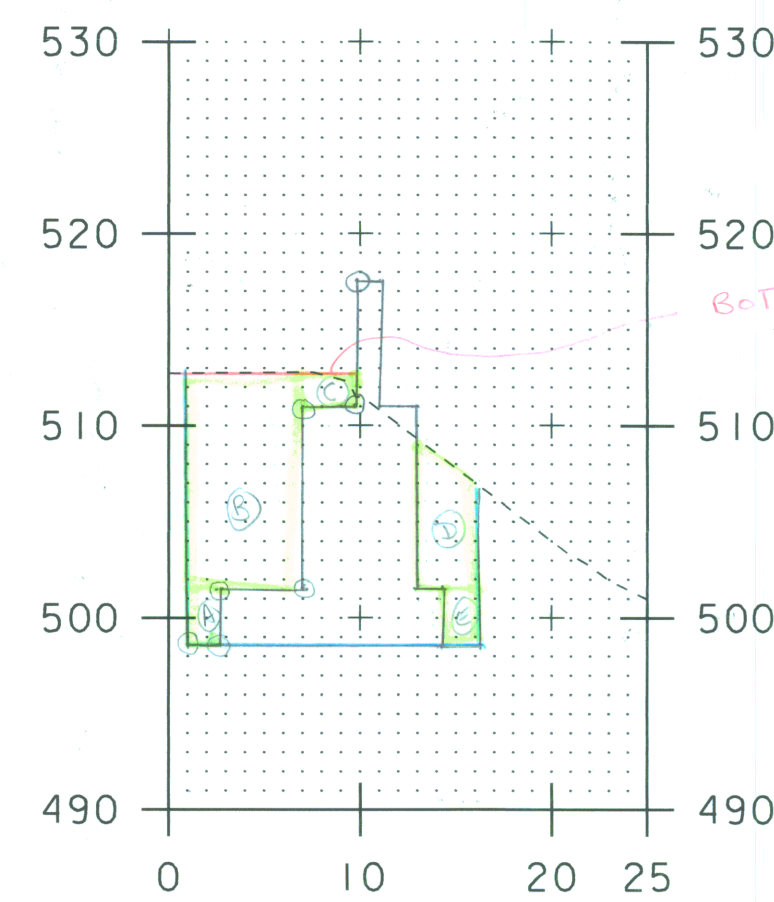
4+74.2



4+83.9
 Granular Backfill for Structures:
 Area A $11 \times \frac{2+1}{2} = 98.5 \text{ ft}^2$
 Area B $4 \times 3 = 12.0 \text{ ft}^2$
 TOTAL 105.5 ft^2



5+12.7
 Granular Backfill for Structures:
 Area A $3+4 \times 14 = 49 \text{ ft}^2$



5+18.6

Granular Backfill for Structures:
 Area A $2 \times 3 = 6.0 \text{ ft}^2$
 Area B $11 \times 6 = 66.0 \text{ ft}^2$
 Area C $3 \times 1.5 = 4.5 \text{ ft}^2$
 Area D $\frac{7+5.5}{2} \times 3 = 19.5 \text{ ft}^2$
 Area E $2 \times 3 = 6.0 \text{ ft}^2$
 TOTAL 102.0 ft^2

✓ DW/B
 11/16/09

ABUTMENT NO. 1

PROJECT NAME: POWNAL
 PROJECT NUMBER: BRZ 144(I9) C/2

FILE NAME: /87e045/str/se045xs2.dgn PLOT DATE: 11-AUG-2008
 PROJECT LEADER: R. WHITCOMB DRAWN BY: STR3
 DESIGNED BY: C. CARLSON CHECKED BY: C. CARLSON
 SHEET OF

