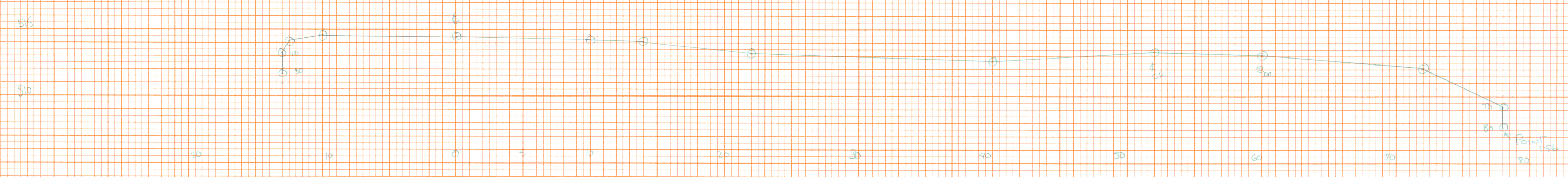


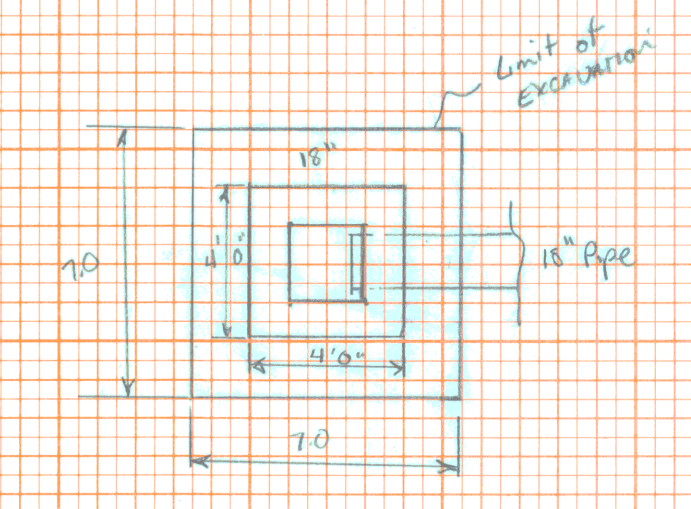
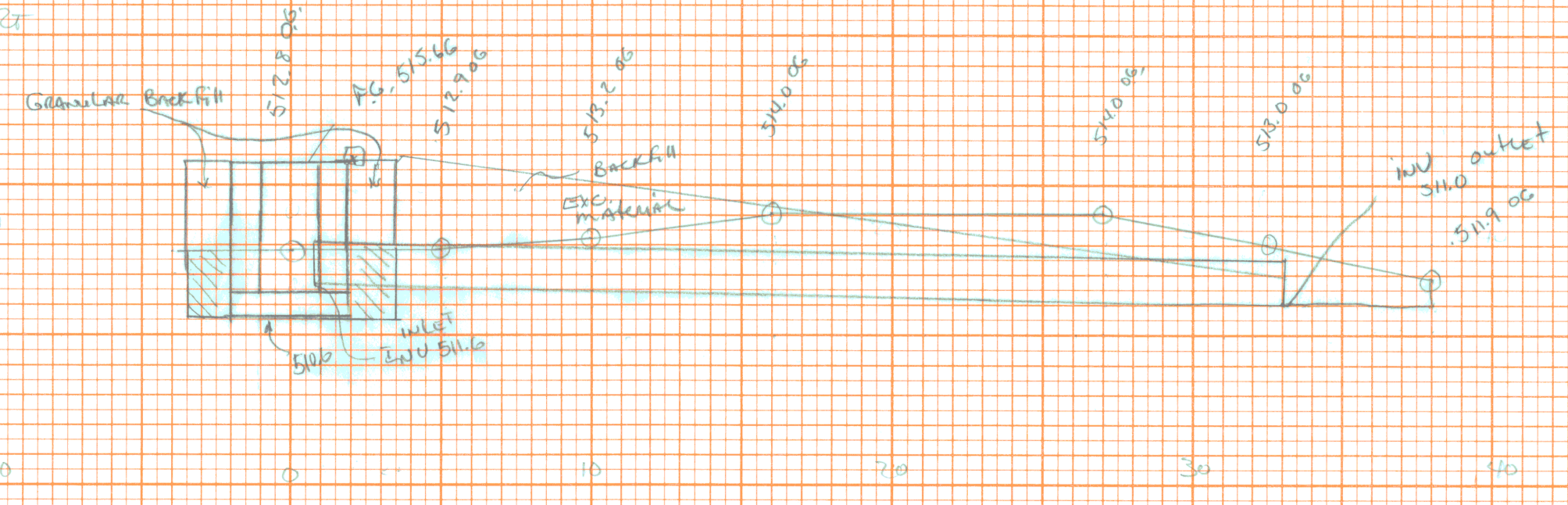
NO. OF HOLES BOOK NO. OF SHEETS
 SURVEYOR'S NAME
 ORIGINAL

NO. OF HOLES BOOK NO. OF SHEETS
 SURVEYOR'S NAME
 ORIGINAL

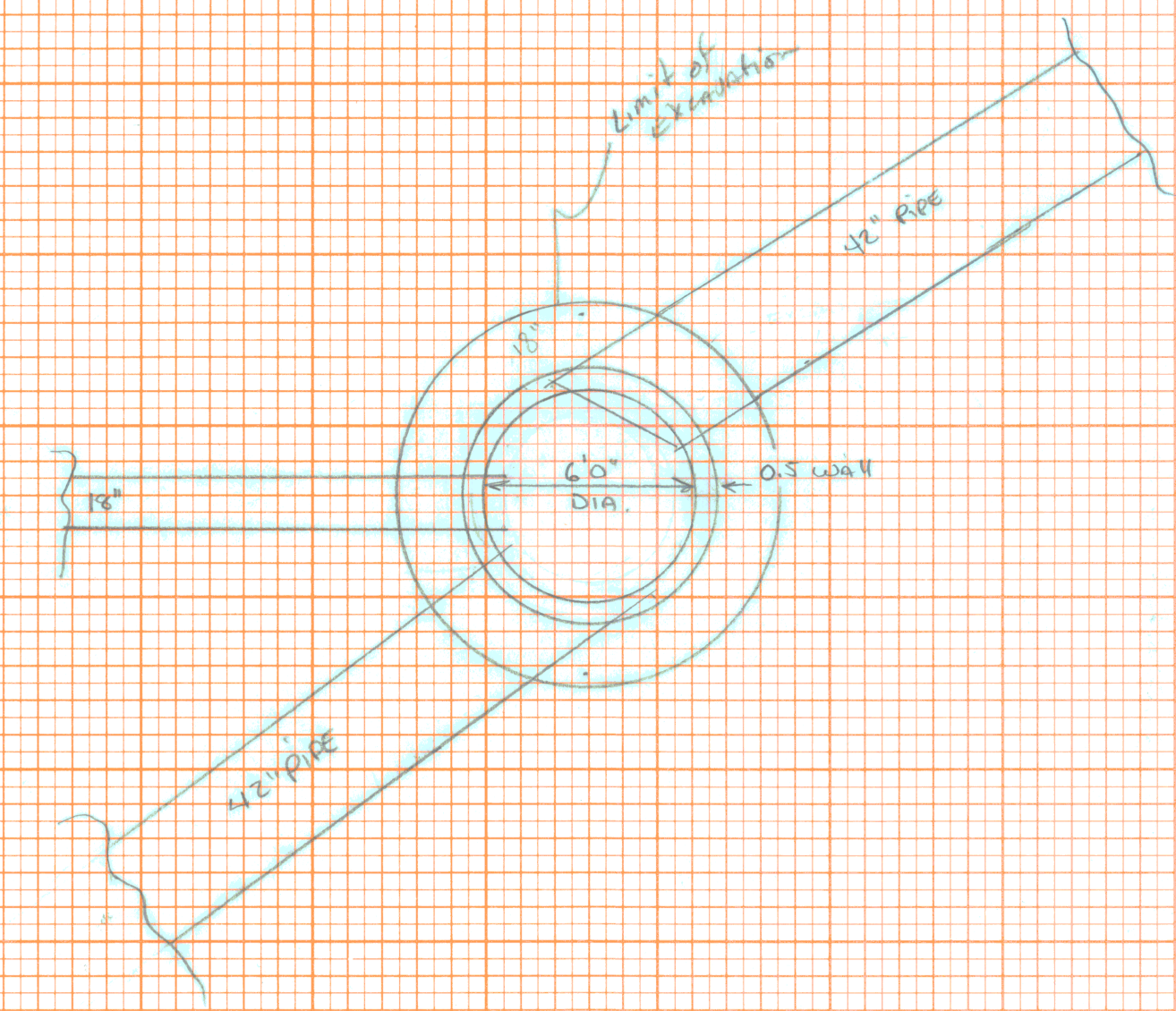
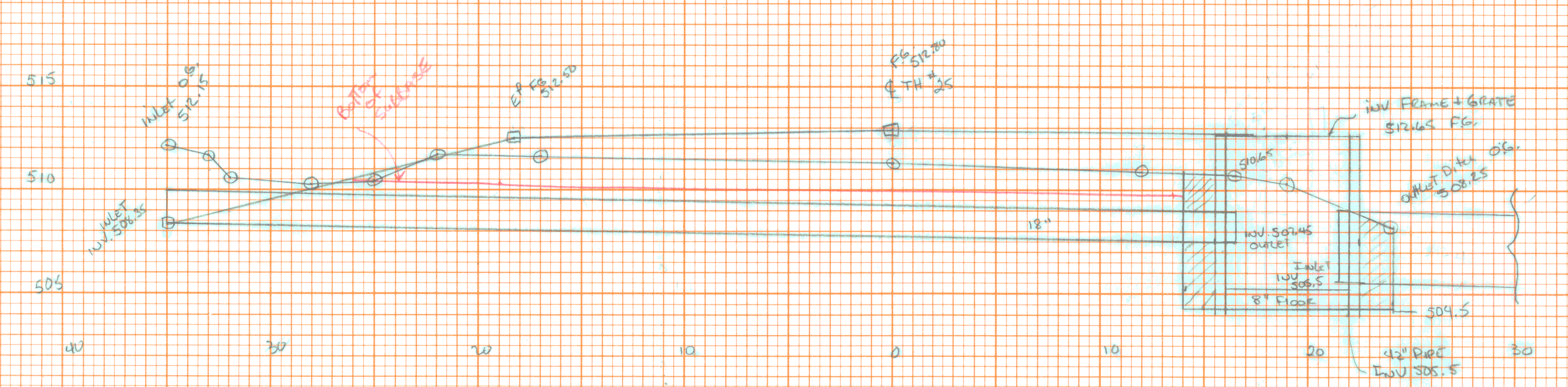
② STA 9+72.6
 Removal



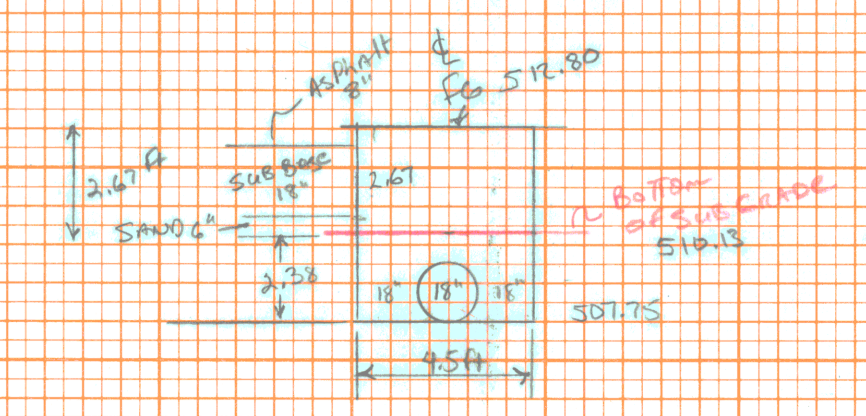
③ STA 11+25.2



④ STA 14+01.2



NOTE Backfilled with excavated material EXCEPT SOFT



40.2
 1190
 139, 1313
 40.2
 1175