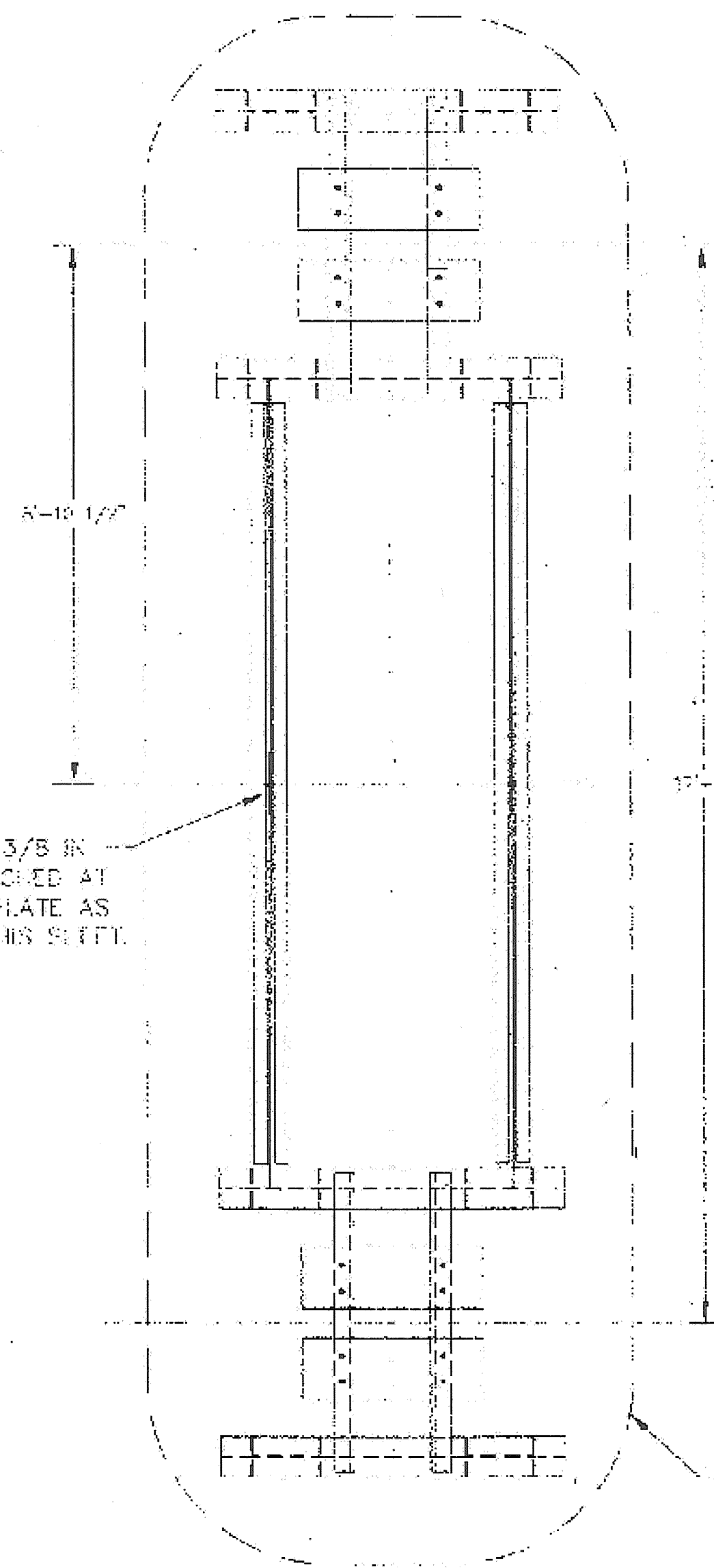


X-BRACING CONNECTION DETAIL

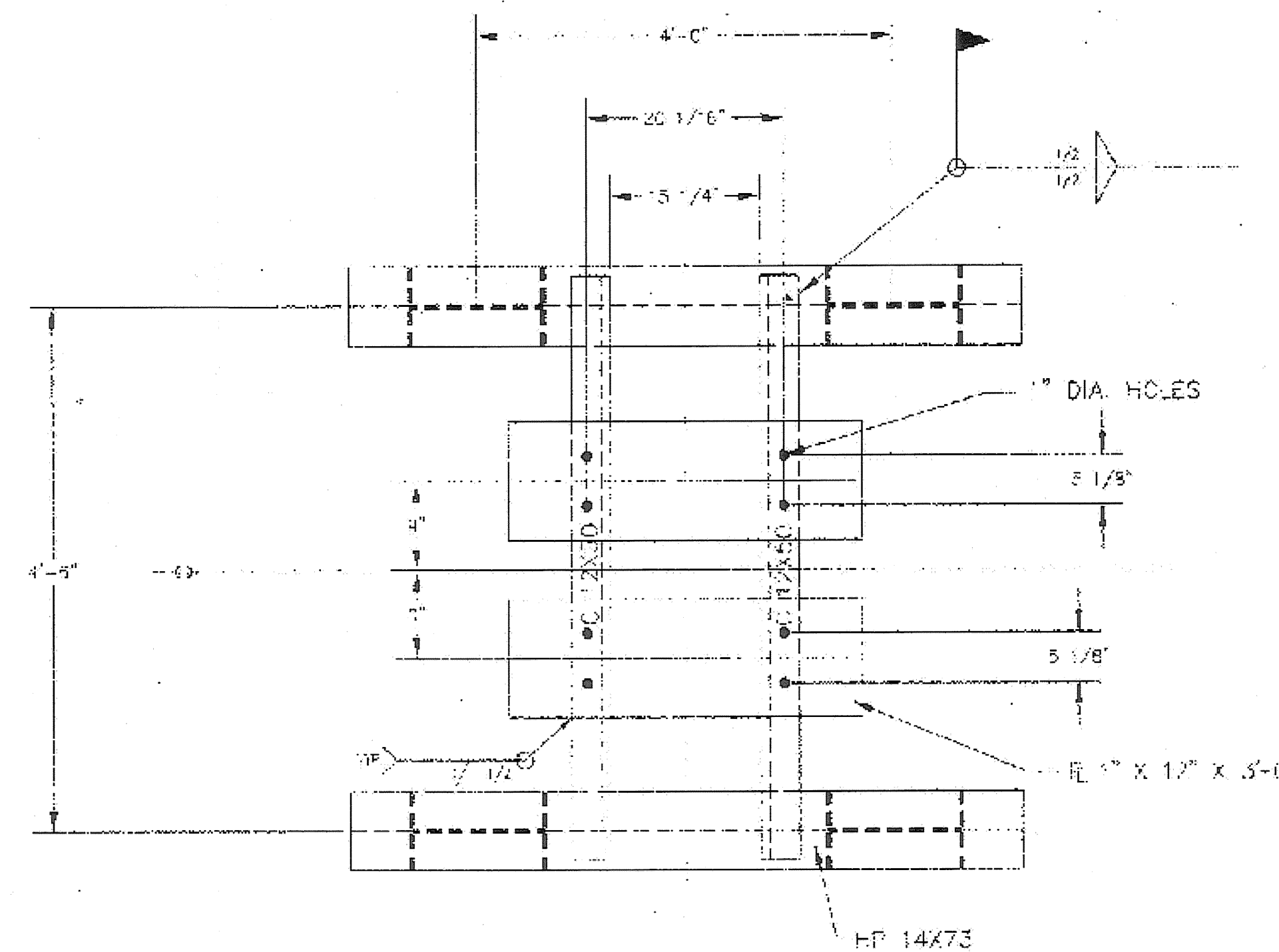
N.T.S.

X-BRACING L4 x 4 x 3/8 IN VERTICAL PLANE ATTACHED AT COLUMNS & CENTER PLATE AS SHOWN SEE OTHER SHEETS



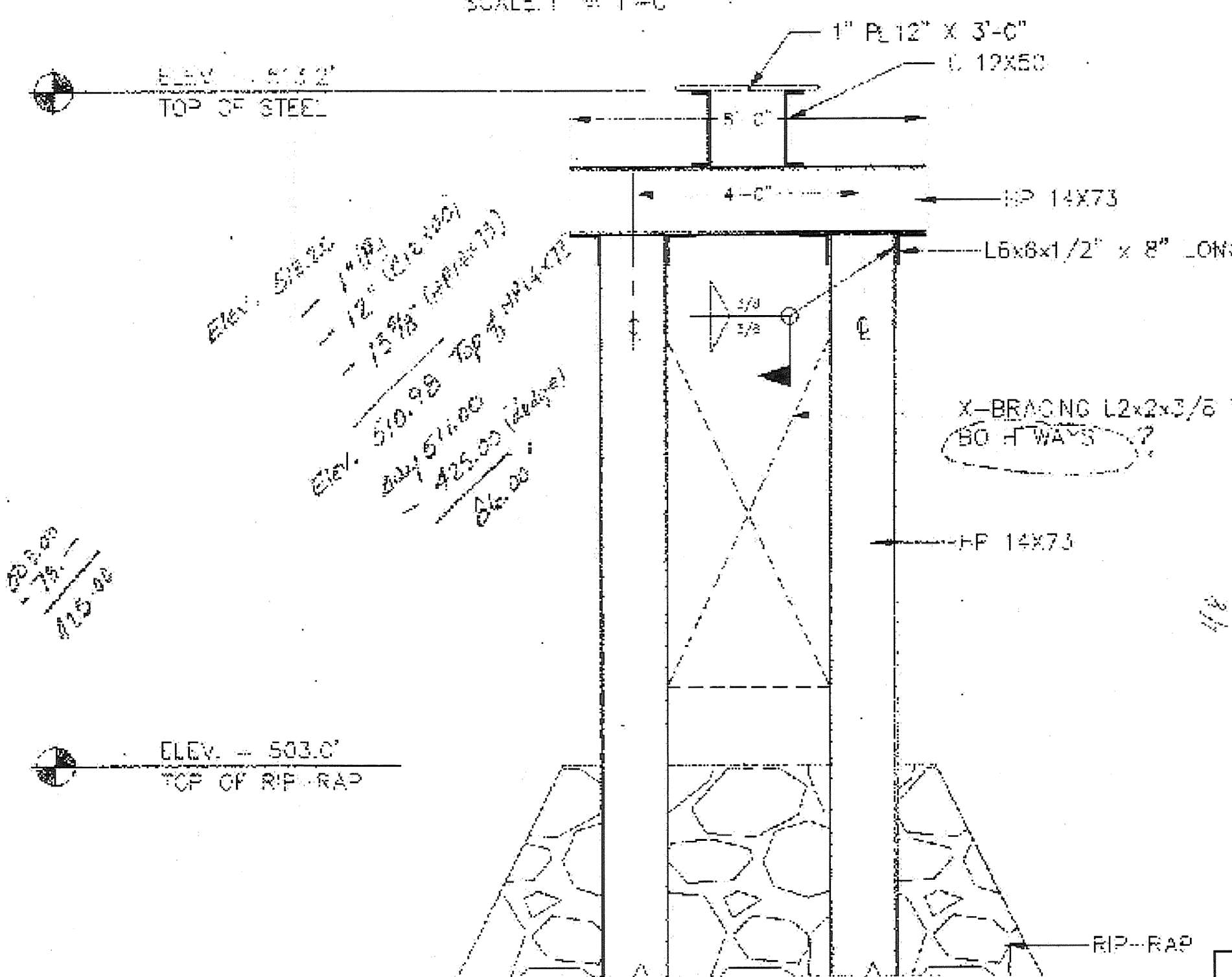
CENTER PIER ABUTMENT PLAN

SCALE: 1/2" = 1'-0"



CENTER PIER STRUCTURAL SUPPORT DETAIL

SCALE: 1" = 1'-0"



CENTER PIER STRUCTURAL SUPPORT

SCALE: 1/2" = 1'-0"

MADEAS REQUIRED AS PER NEW DESIGN

- 4 - 1" x 12" x 3'-0" P's
- 4 - C12x50 @ 25'-0"
- 4 - HP14x75 @ 6'-0"
- 8 - HP14x75 @ 9'-0"
- 8 - L6x8x1/2 @ 6'-0"
- 4 - L4x4x3/8 @ 15'-0"
- 8 - L2x2x3/8 @ 6'-7.5"

1/30

NOTE: STRUCTURAL STEEL SHALL BE PREPARED PRIMED AND FINISHED PAINTED IN S.R.C. CONFORMANCE WITH THE MASSDOT 16TH EDITION / SECTION 13

			POWNAL TEMPORARY BRIDGE OVER HOOSAC RIVER		DWS NO. 6 OF 7
			PROJECT NO. 870040	DRAWN BY: LMS	
PREPARED FOR:			PETRICCA CONSTRUCTION CORP.		STEEL DETAILS
PROJECT NO. 870040			FOWNAL VERMONT		