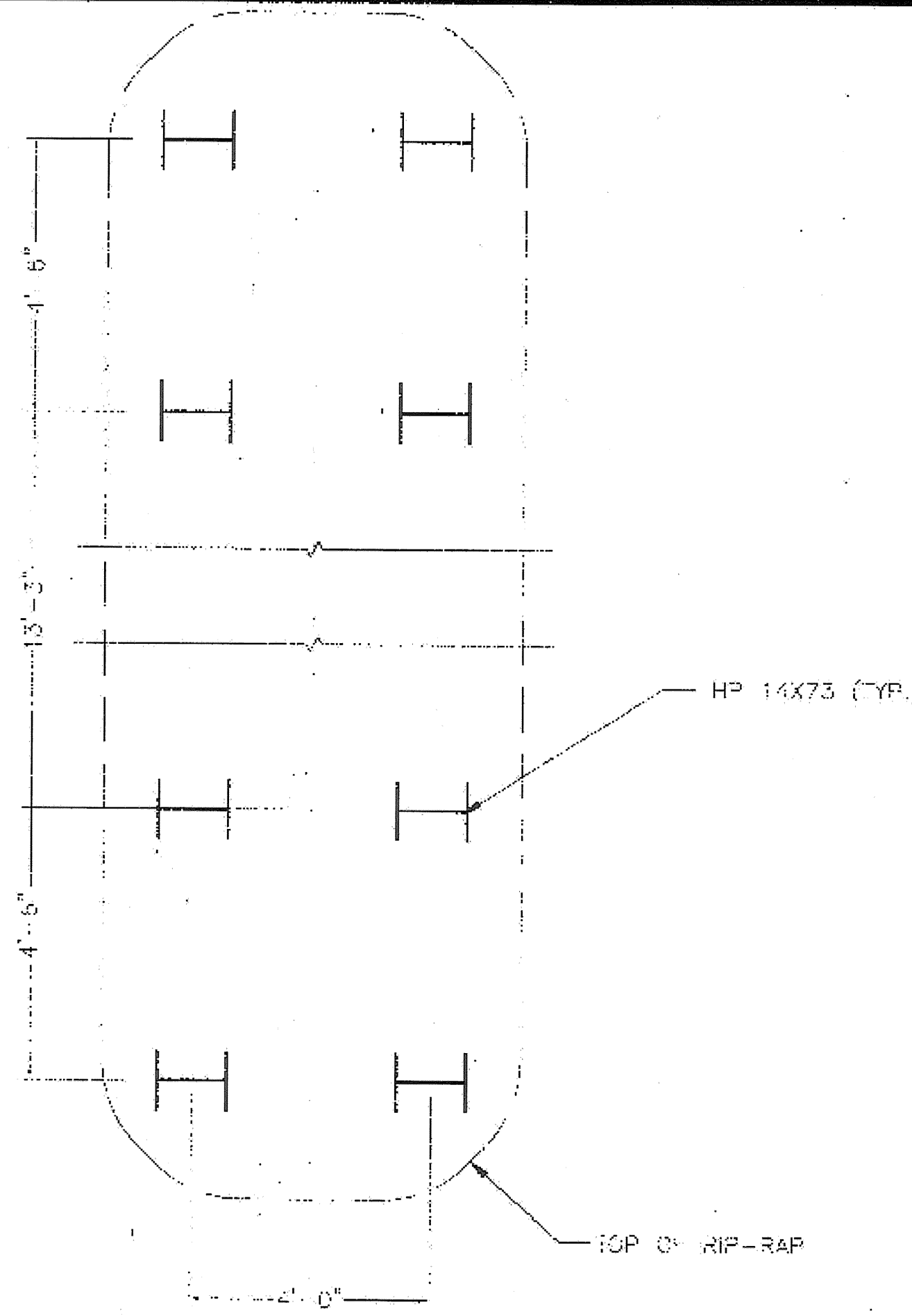


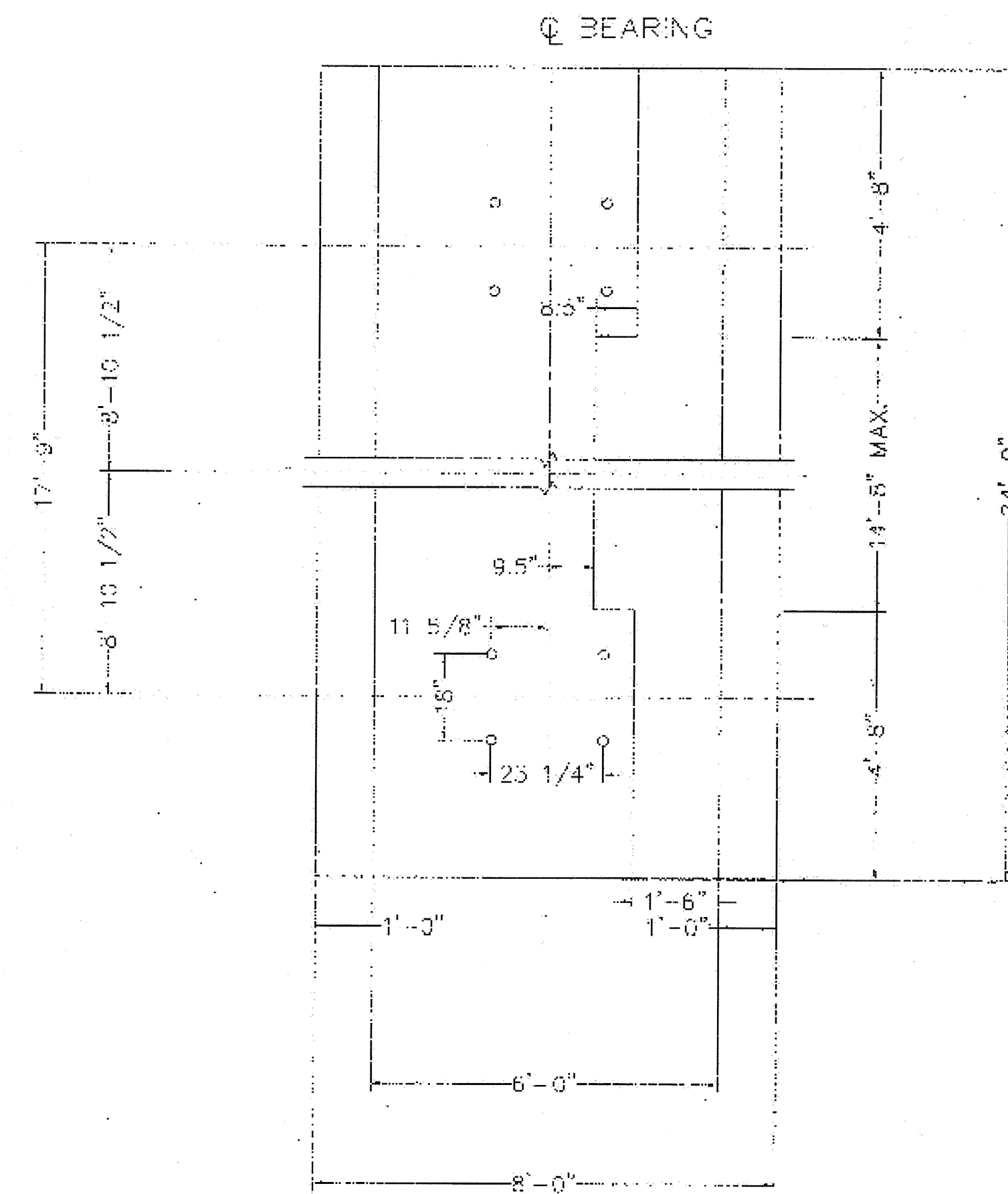
**WEST ABUTMENT PLAN**

Scale: 1/2" = 1'-0"



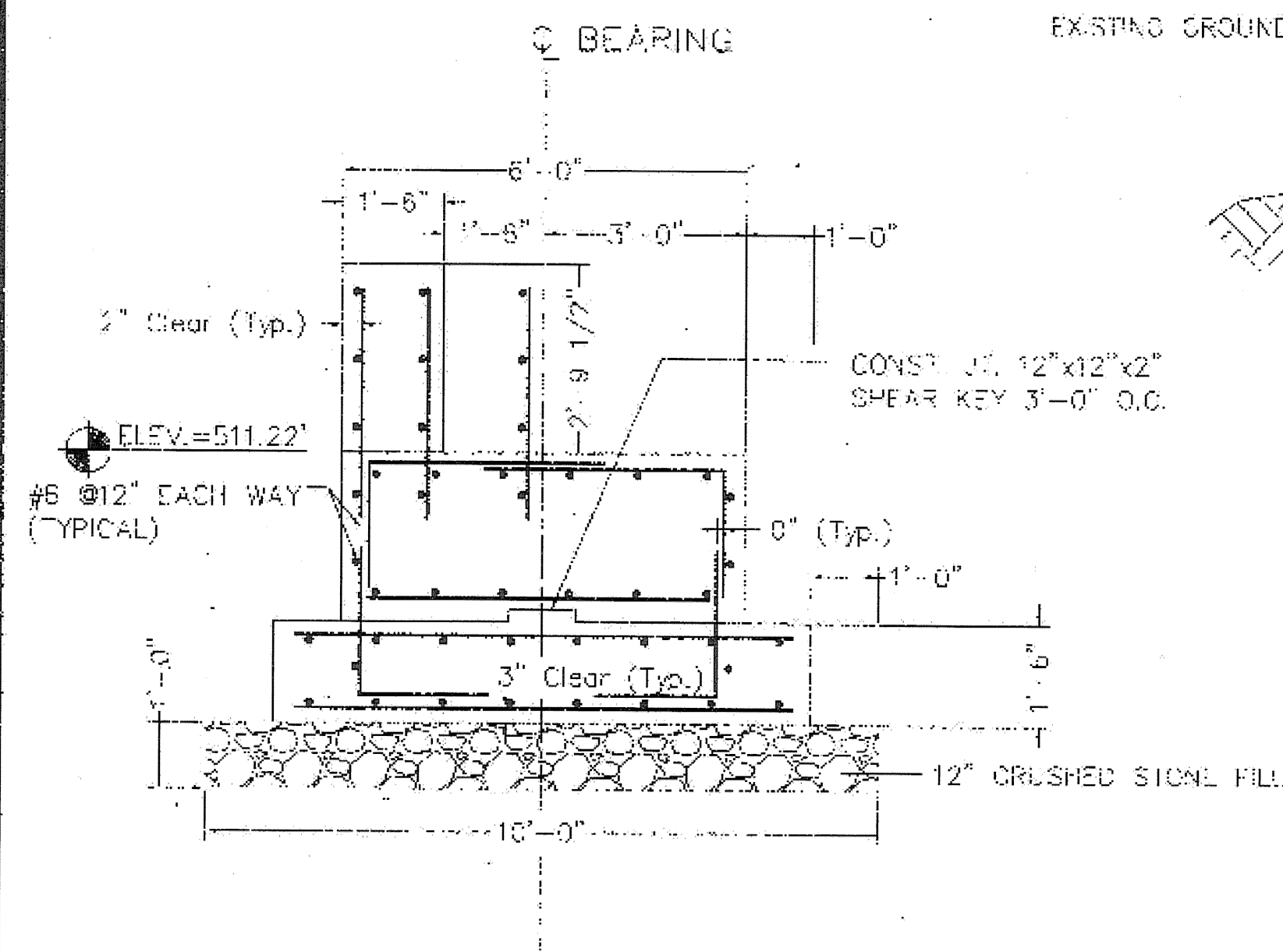
**CENTER PIER PLAN**

Scale: 1/2" = 1'-0"



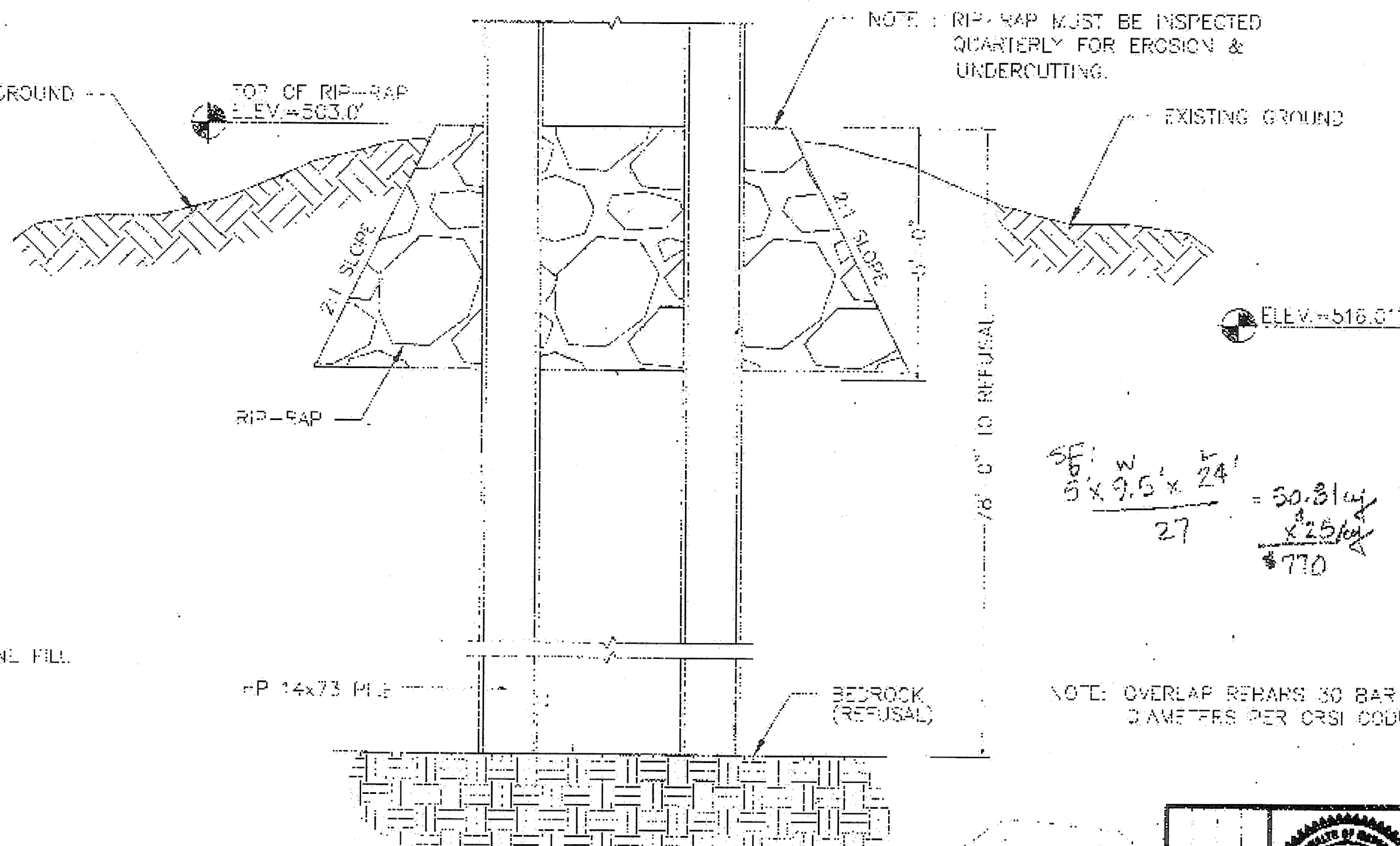
**EAST ABUTMENT PLAN**

Scale: 1/2" = 1'-0"



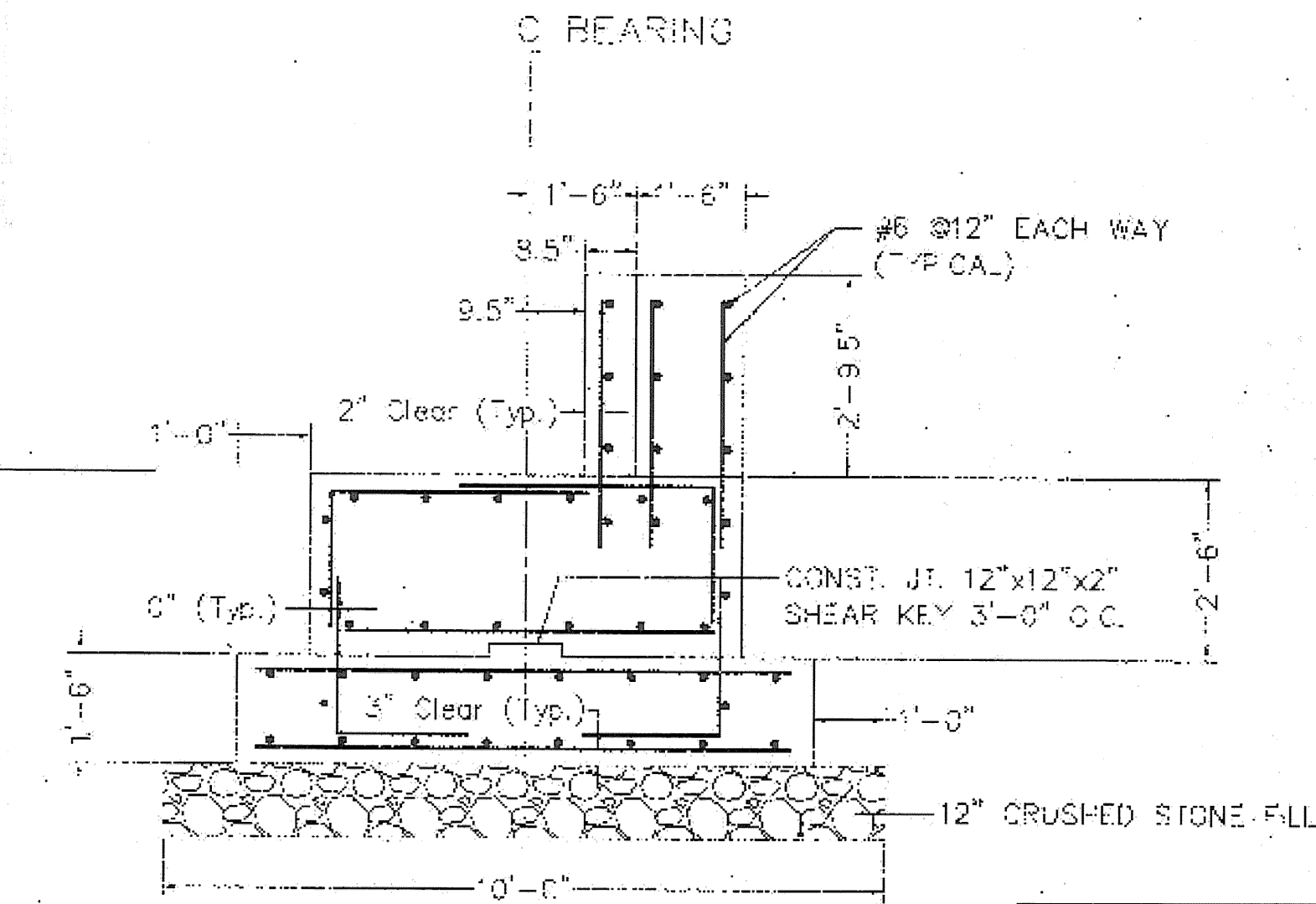
**SECTION WEST ABUTMENT**

Scale: 1/2" = 1'-0"



**SECTION CENTER PIER**

Scale: 1/2" = 1'-0"



**SECTION EAST ABUTMENT**

Scale: 1/2" = 1'-0"

$$SE: \frac{W}{L} = \frac{9.5 \times 24}{27} = \frac{228}{27} = 8.44$$

NOTE: OVERLAP REPAIRS 30 BAR DIAMETERS PER CRSI CODE.

POWNA  
BRZ 1441(19) C/2  
REFERENCE SHEET 16 OF 18  
SHEET 106 OF 108

		Design Group, Inc. Civil Engineers & Surveyors & Cost Estimators 215 NORTH MAIN STREET, FERRISBURGH, VERMONT 05757-1000	<b>POWNA TEMPORARY BRIDGE</b> OVER <b>HOOSAC RIVER</b> PREPARED FOR: <b>PETRICCA CONSTRUCTION CORP.</b> POWNA, VERMONT	DWG. NO. <b>5</b> OF <b>7</b>
		DATE: NOVEMBER 2, 1992 SCALE: 1/2" = 1'-0"	PROJECT NO.: 870040 DRAWN BY: JMS DESIGNED BY: JPS APPROVED BY: JPS	<b>DETAILS</b>