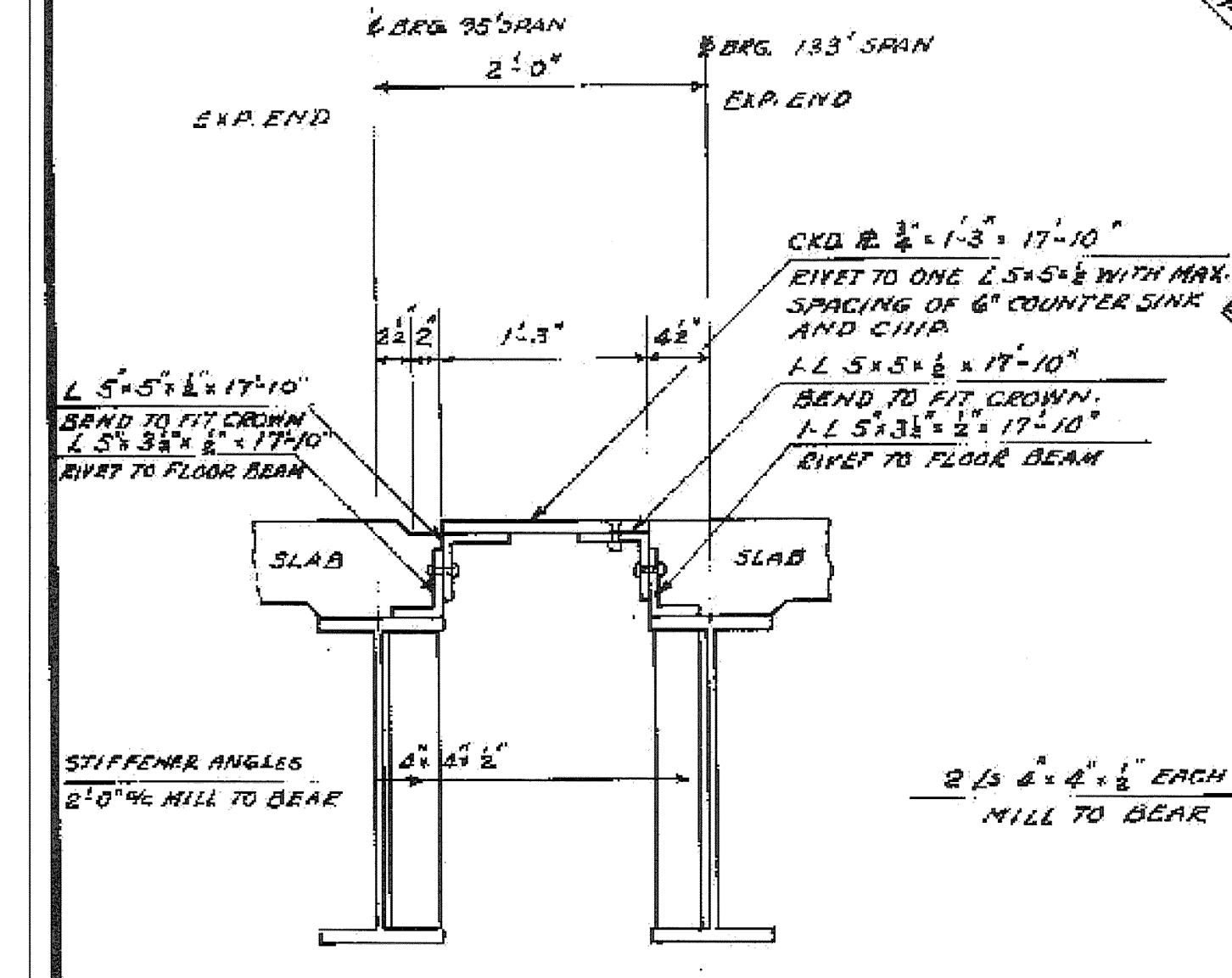
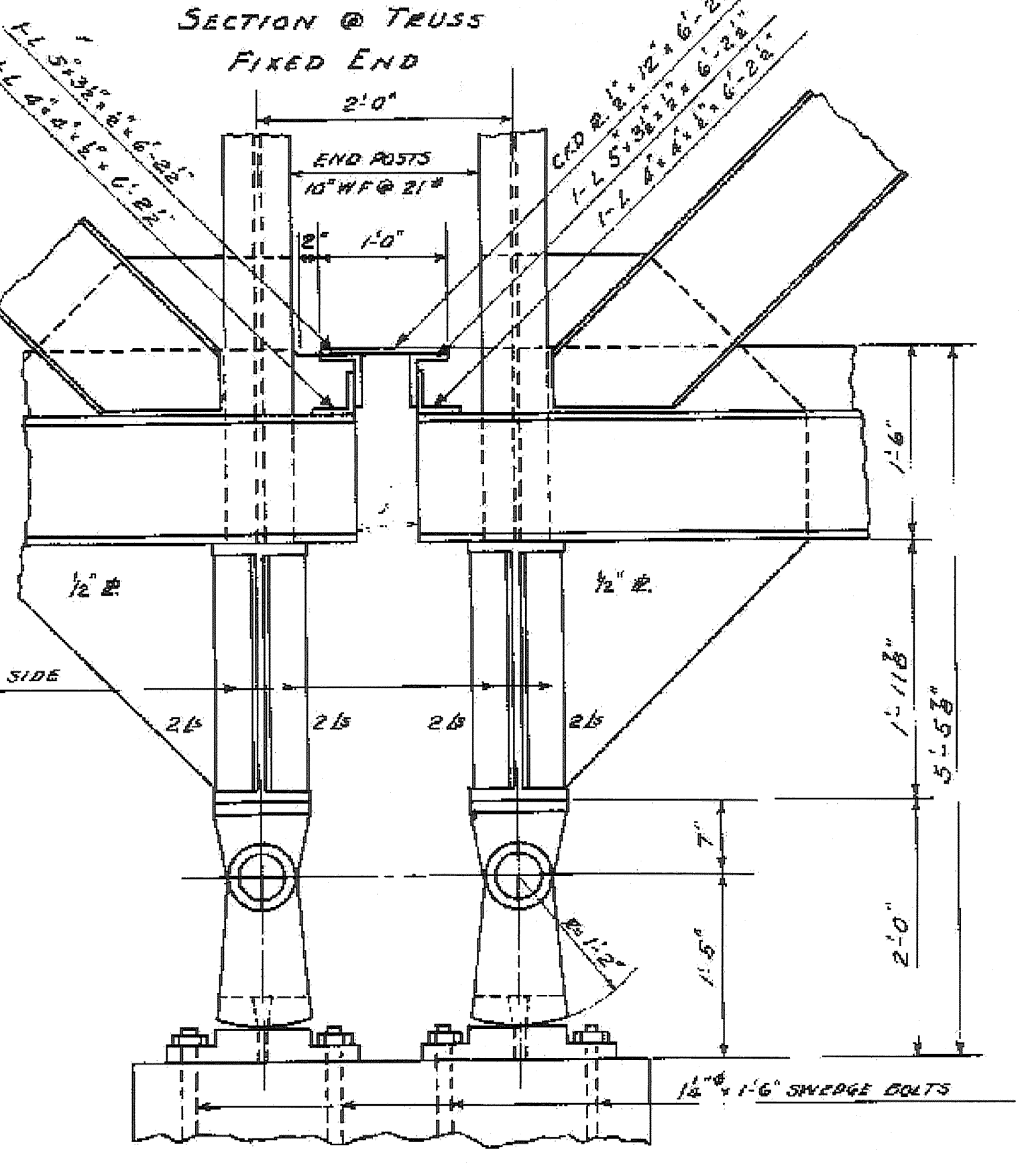


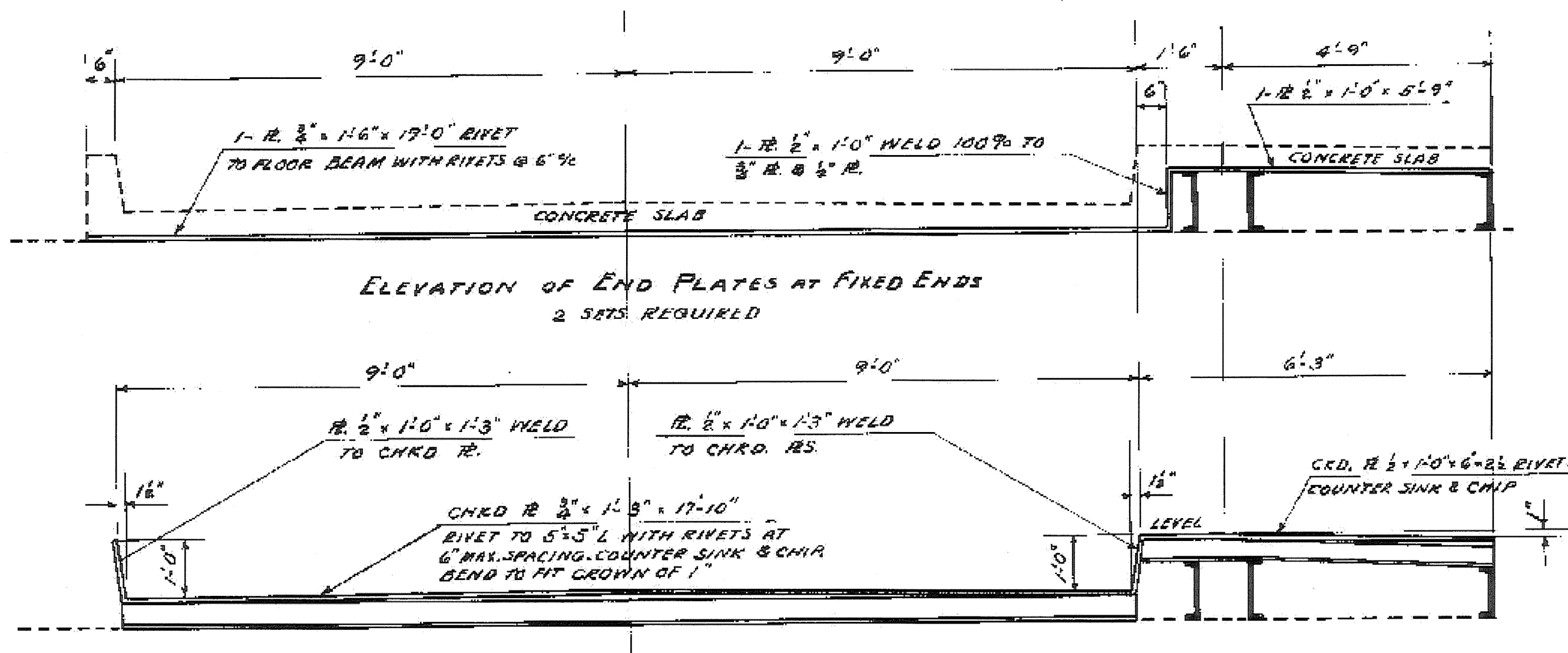
SECTION @ FIXED END



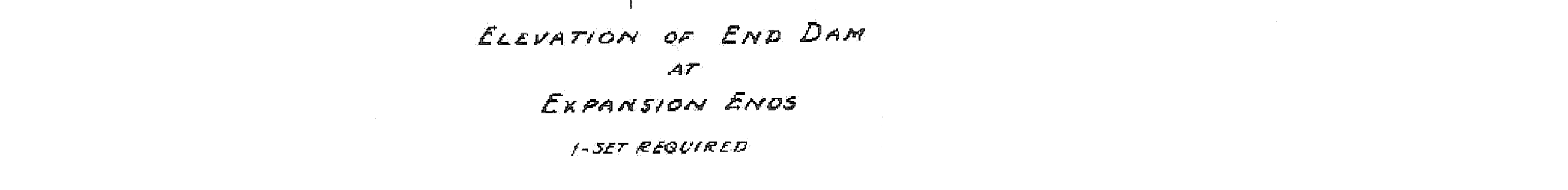
SECTION EXPANSION END



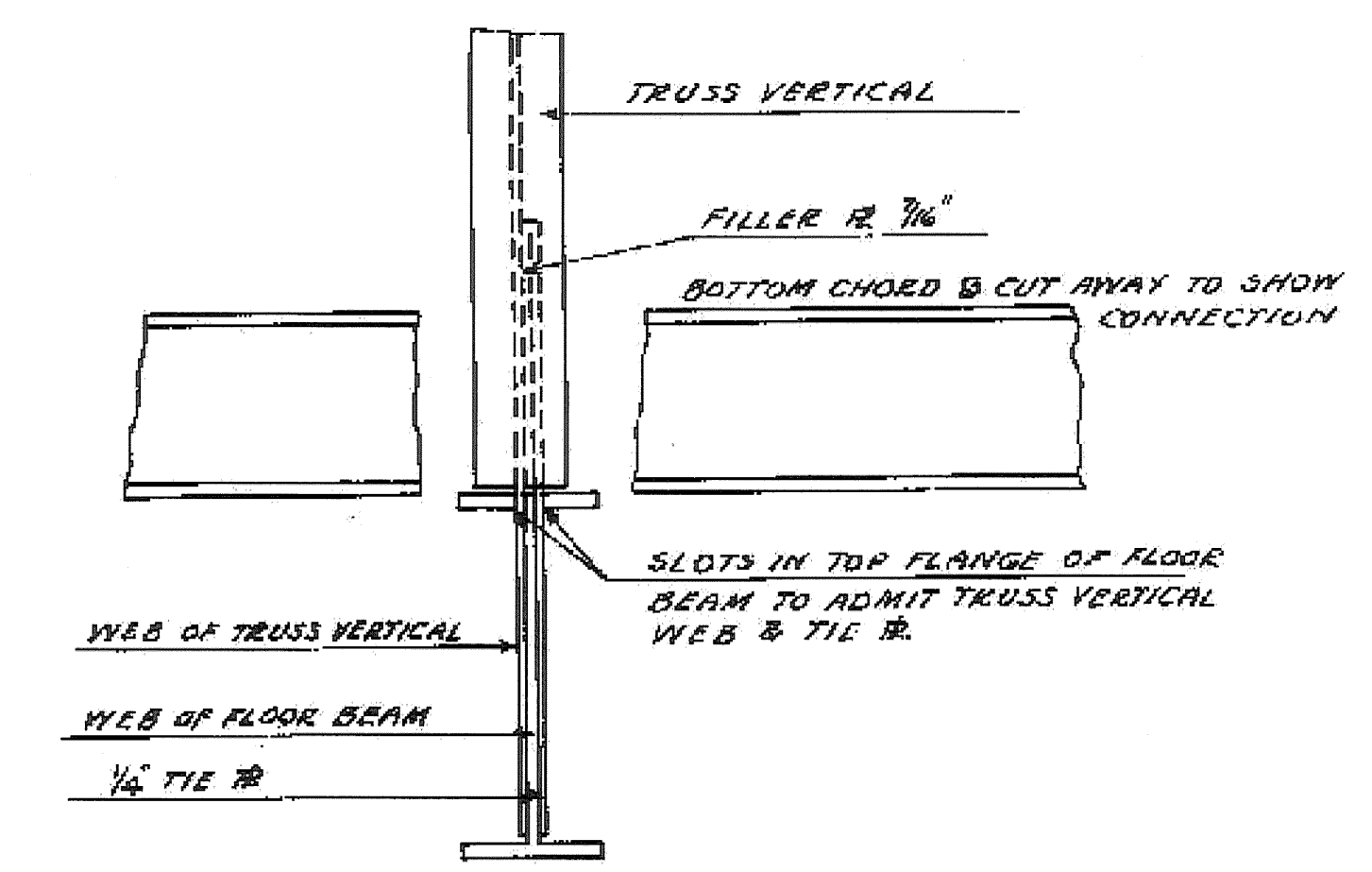
SECTION @ TRUSS EXPANSION END



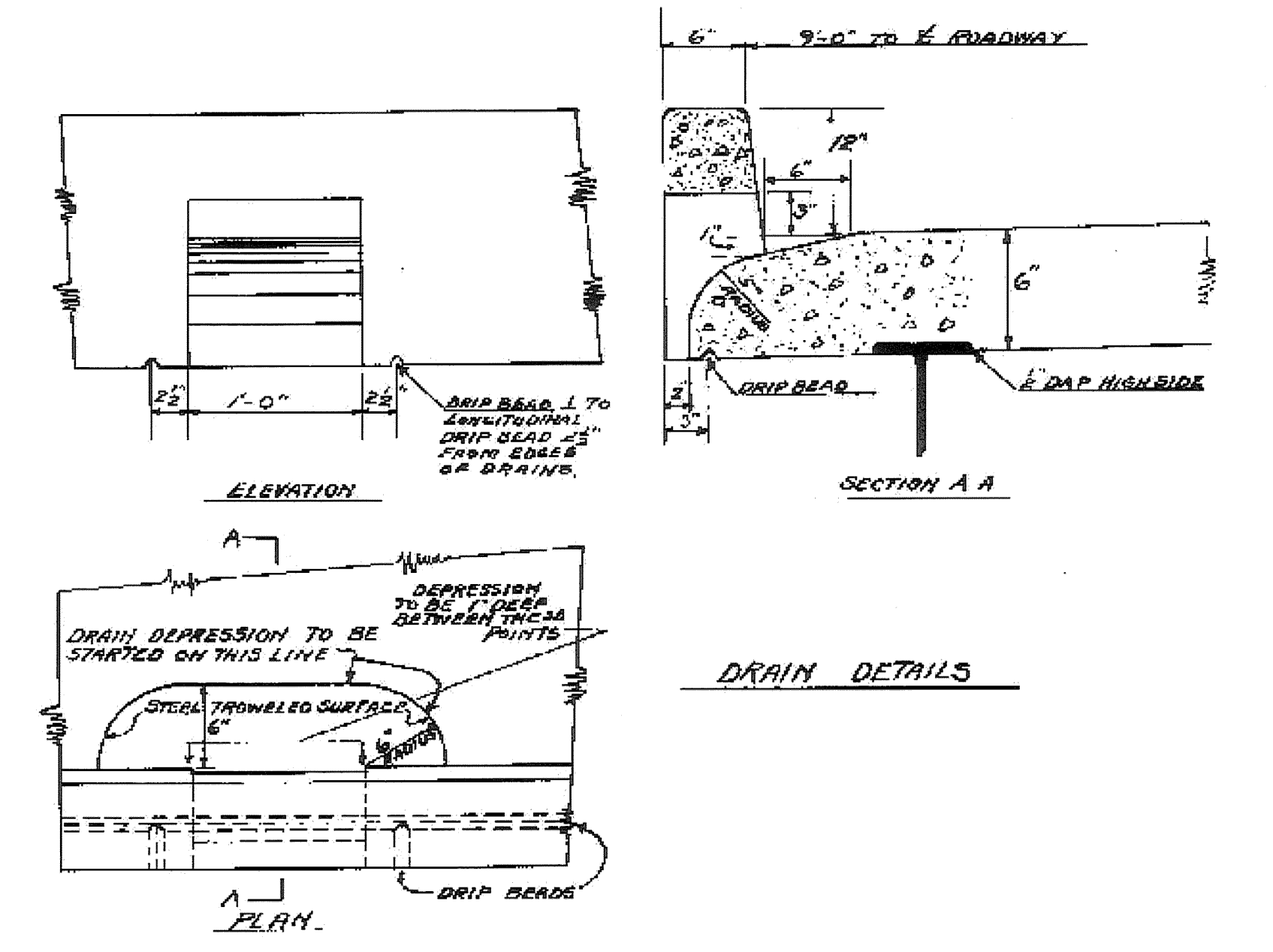
ELEVATION OF END PLATES AT FIXED ENDS  
2 SETS REQUIRED



ELEVATION OF END DAM AT EXPANSION ENDS  
1-SET REQUIRED



FLOOR BEAM CONNECTION AT INTERMEDIATE PANEL POINT



DRAIN DETAILS

NOTE: CARE SHOULD BE TAKEN TO SEE THAT THE SLAB STEEL IS BENT BACK OR CUT OFF SO THAT NONE WILL BE EXPOSED WHEN THE DRAIN FORM IS REMOVED. THESE DRAINS TO BE PLACED ONLY ON EACH SIDE IN EACH TRUSS PANEL.

SUPERSTRUCTURE DETAILS  
VILLAGE BRIDGE  
NORTH POWNAL

ESTIMATED QUANTITIES

	POWNAL BRZ 144(19) C/2 REFERENCE SHEET 2 OF 18 SHEET 92 OF 108	Surveyed by Designed by W. H. DAY Drawn by W. H. DAY Traced by D. W. P. Checked by L. M. B. Series BRZ No. 18 Sheet 3 of 12 Sheets
--	---	--