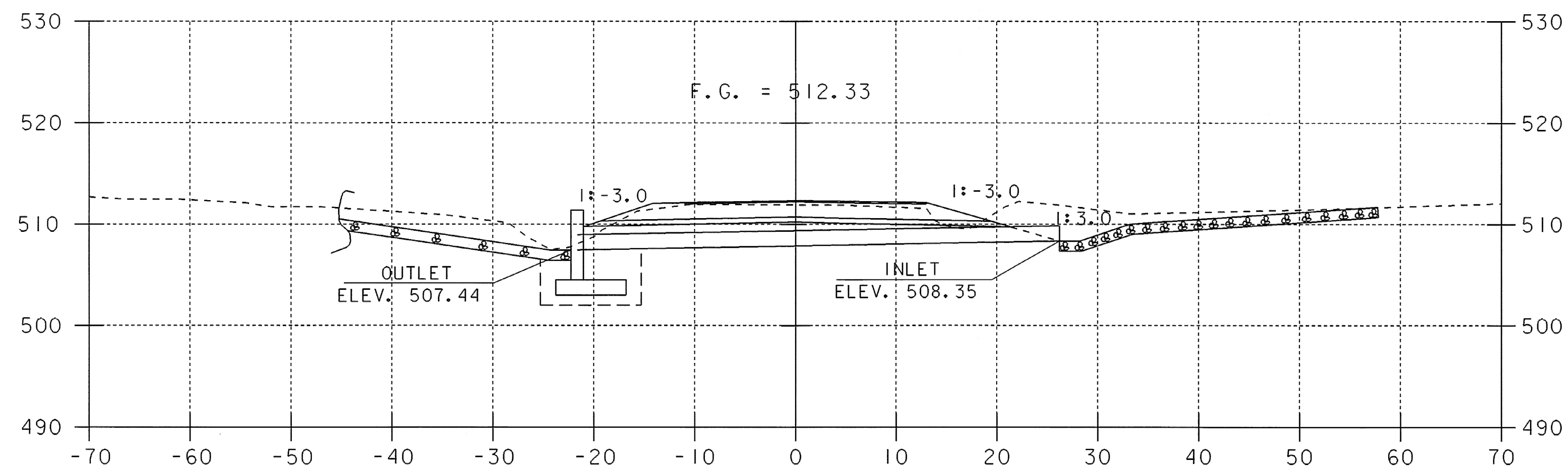


**MATERIALS TRANSITION**

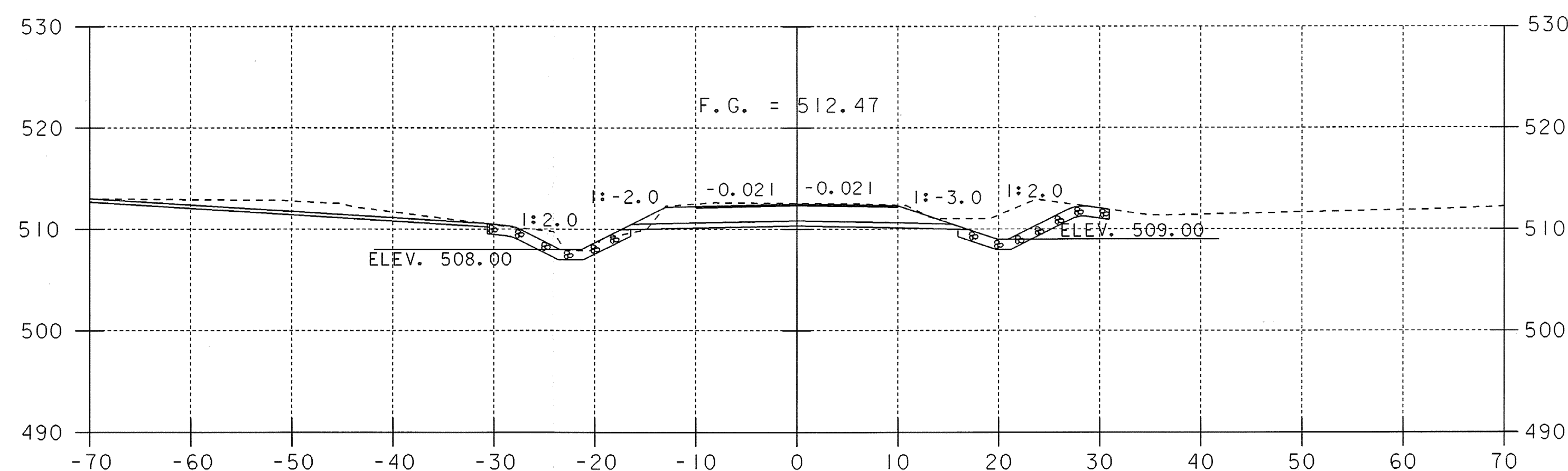
NTS



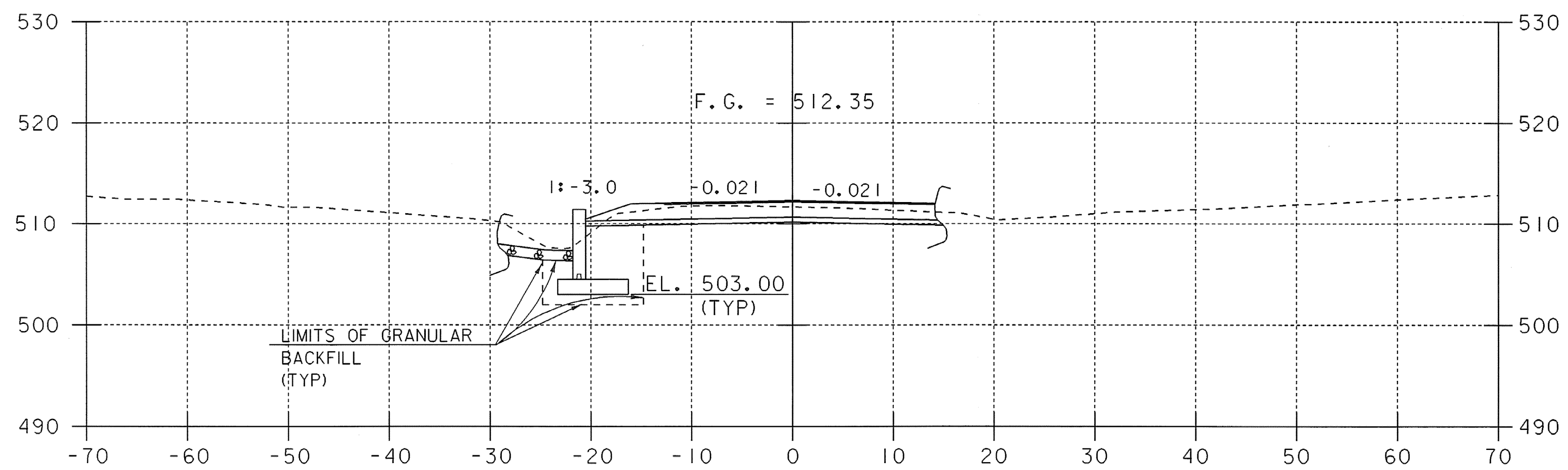
7+26  
SKEWED SECTION OF  
Q OF 18" PIPE

STA 7+19.0 LT  
BEGIN STONE LINED DITCH WITH  
STONE FILL, TYPE I

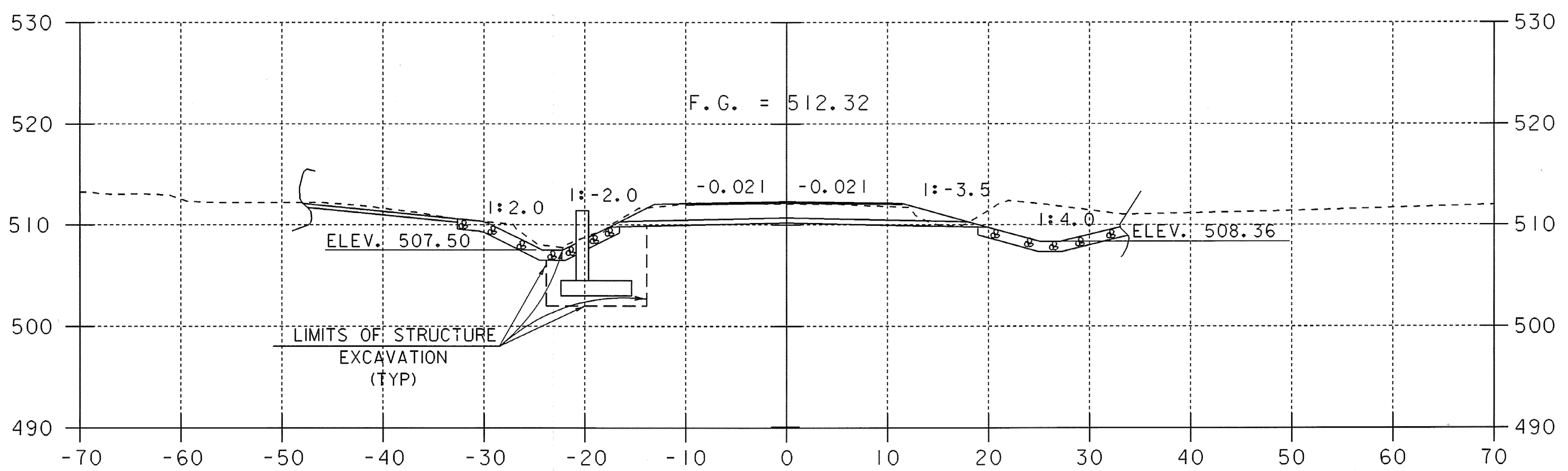
STA 7+23.2 RT  
BEGIN STONE LINED DITCH WITH  
STONE FILL, TYPE I



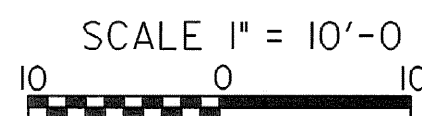
7+40



7+20  
STA 7+12.12  
BEGIN TH 26  
SIDELINE  
CONSTRUCTION



7+30



FURLONG ROAD

SHEET NAME: TOWN HIGHWAY 26 CROSS SECTIONS	
PROJECT NAME: POWNAL	HIGHWAY NO.: TH 24
PROJECT NUMBER: BRZ 1441(19) C/2	BRIDGE NO.: 41
	OVER: HOOSIC RIVER
FILE NAME: 87e045/str/se045xs2.dgn	PLOT DATE: 08-FEB-2008
PROJECT MANAGER: R. WHITCOMB	DRAWN BY: J.GILMORE
DESIGNED BY: C. CARLSON	IPARM NAME: se045sx4.1
	SHEET 79 OF 108