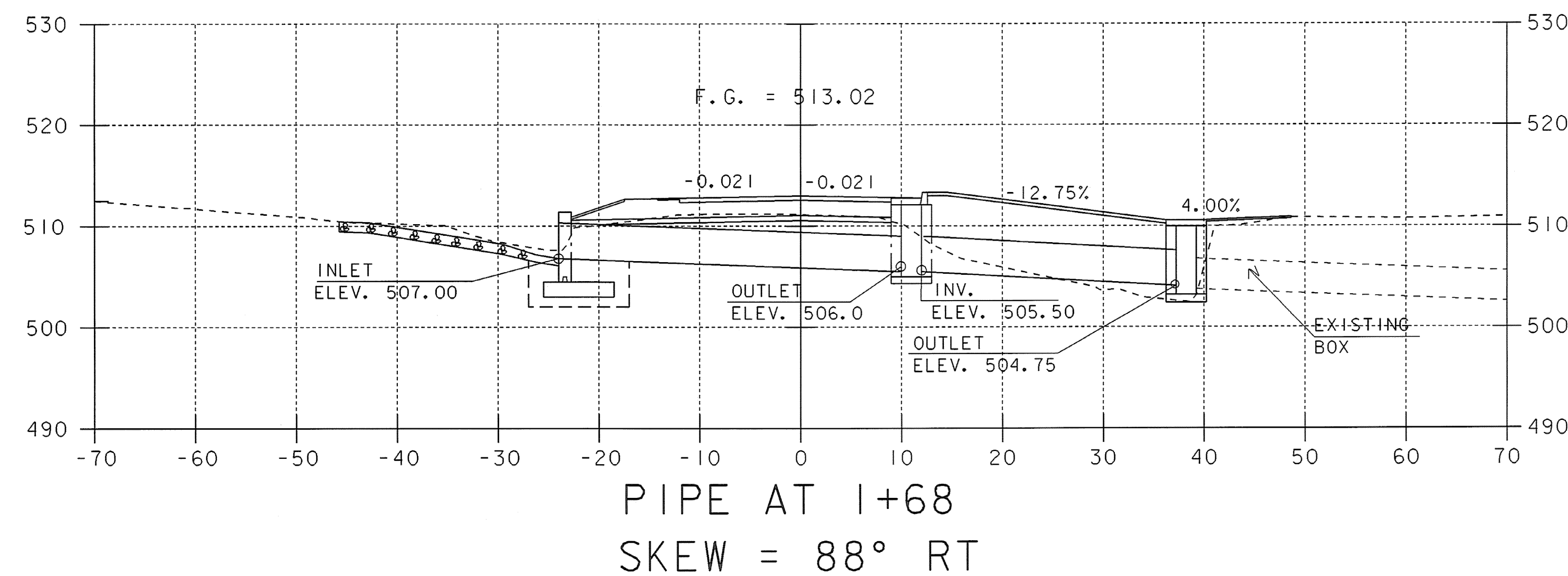
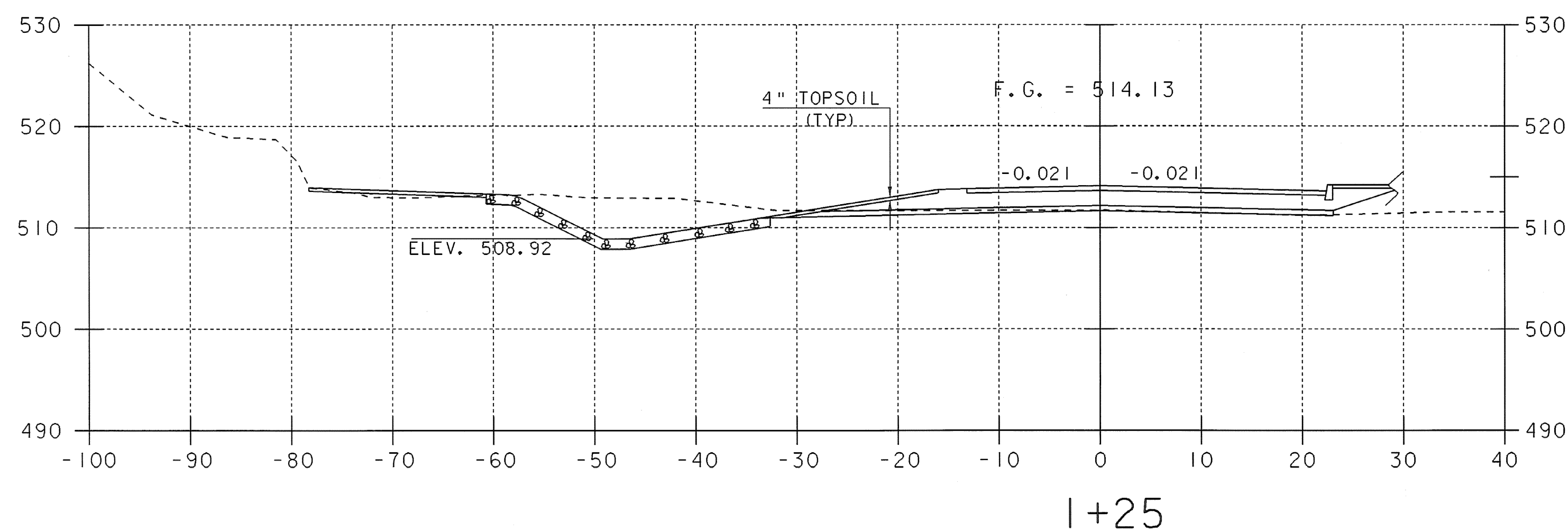
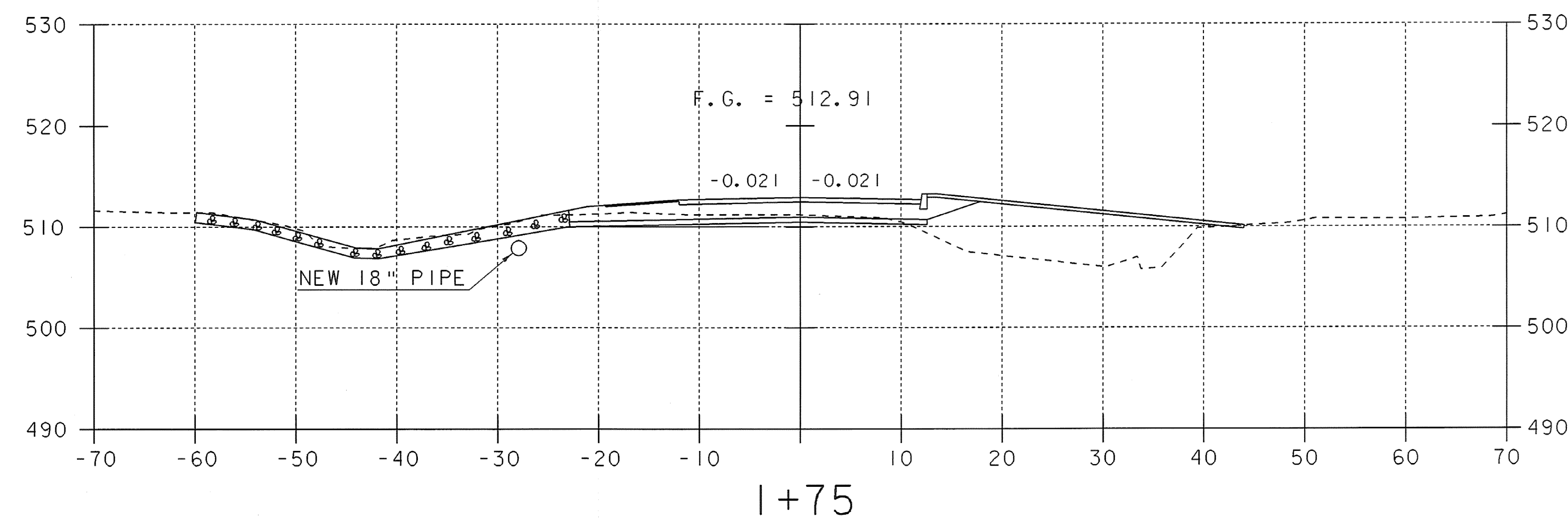
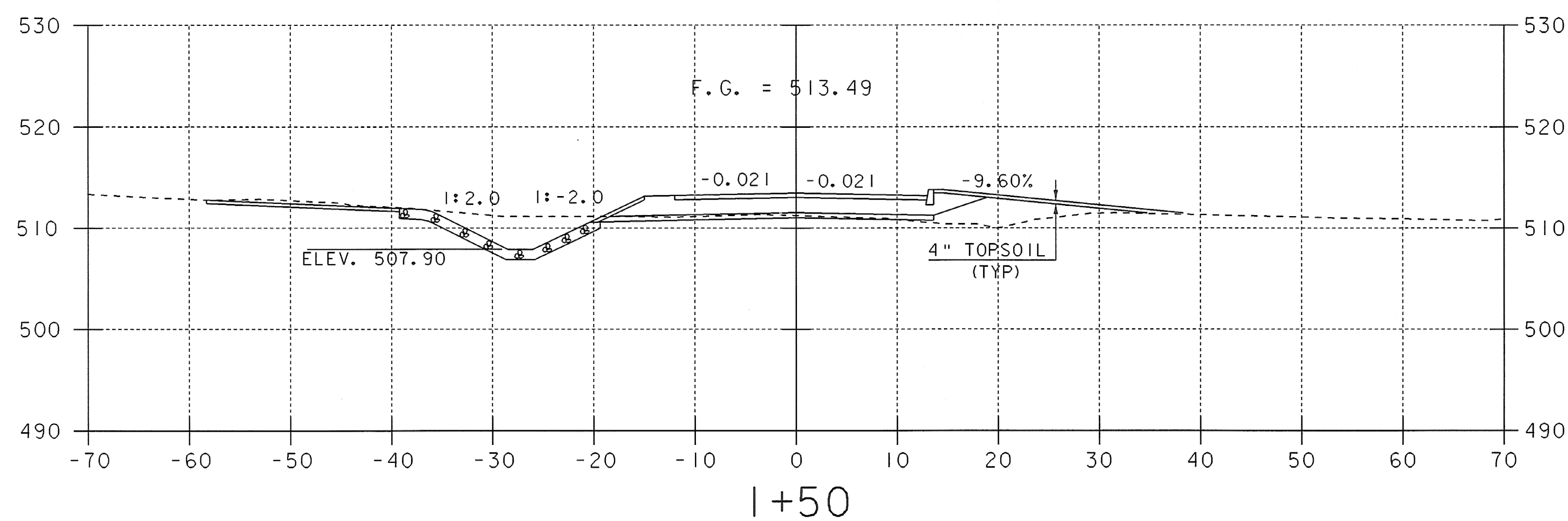
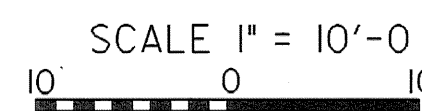


MATERIALS TRANSITION TH 25

NTS



STA I+12
BEGIN TH 25
SIDELINE
CONSTRUCTION



SNAKE HILL ROAD

SHEET NAME: TOWN HIGHWAY 25 CROSS SECTIONS	
PROJECT NAME: POWNAL	HIGHWAY NO.: TH 24
PROJECT NUMBER: BRZ 144(I9) C/2	BRIDGE NO.: 41
	OVER: HOOSIC RIVER
FILE NAME: 87e045/str/se045xs2.dgn	PLOT DATE: 08-FEB-2008
PROJECT MANAGER: R. WHITCOMB	DRAWN BY: J.GILMORE
DESIGNED BY: C. CARLSON	IPARM NAME: se045sx1.i
	SHEET 76 OF 108