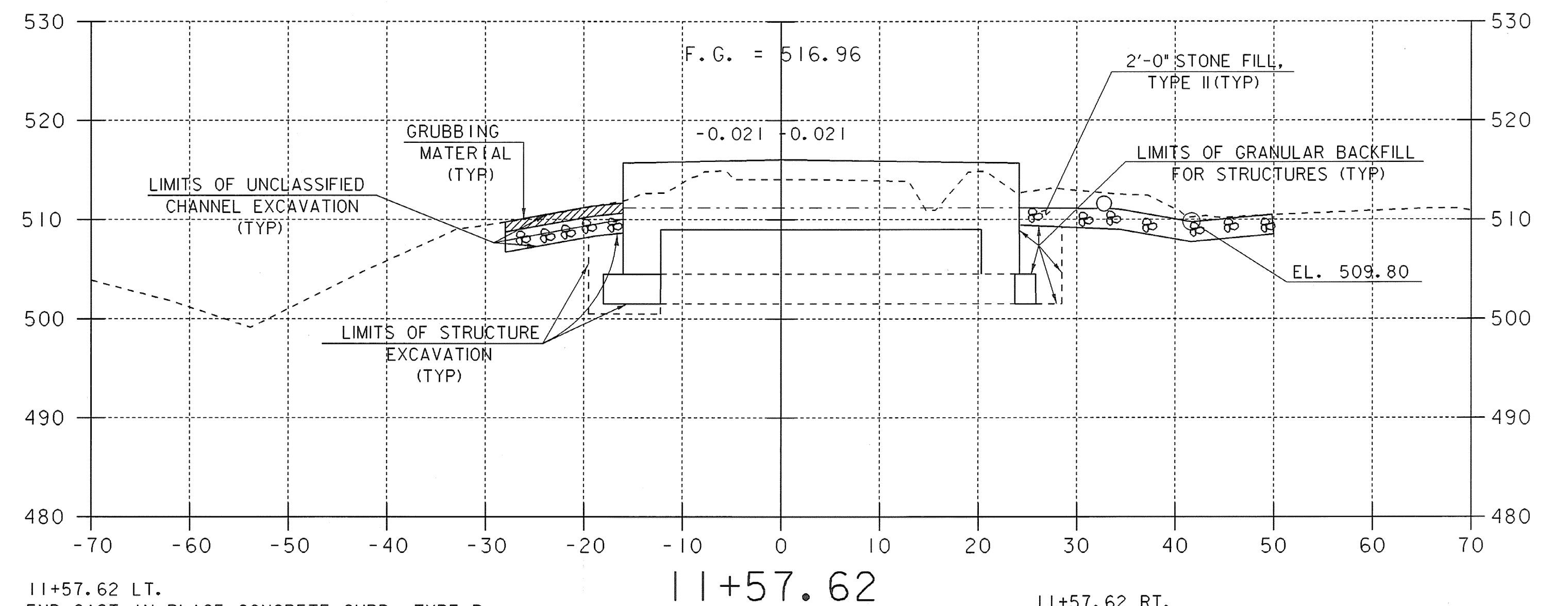


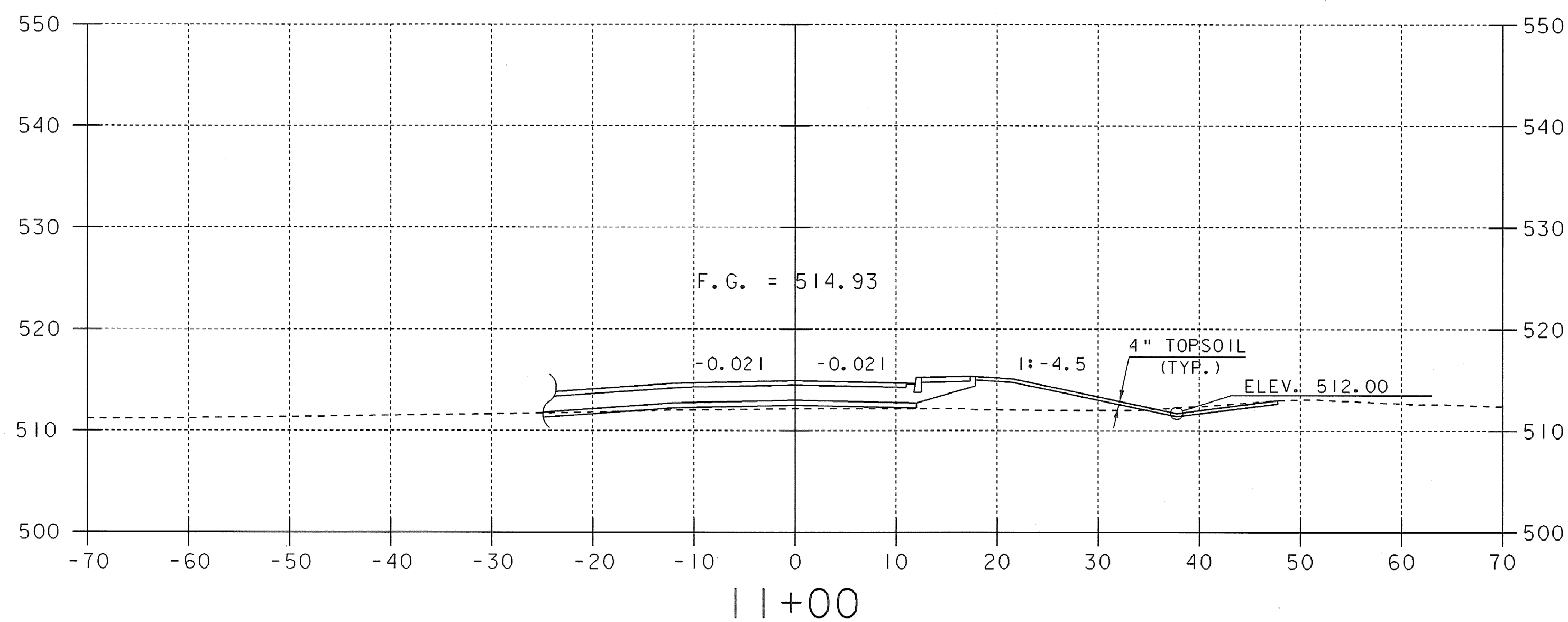
11+25



11+57.62  
BEGIN BRIDGE

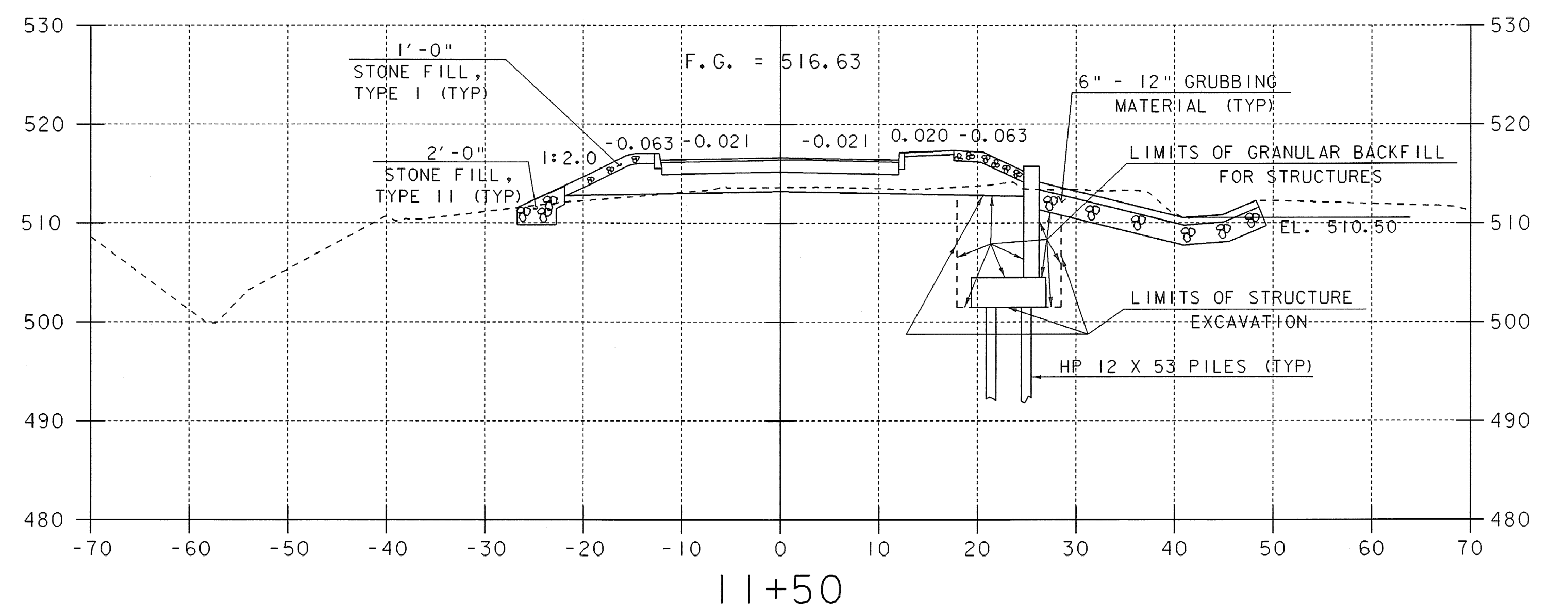
11+57.62 LT.  
END CAST-IN-PLACE CONCRETE CURB, TYPE B

11+57.62 RT.  
END CAST-IN-PLACE CONCRETE CURB, TYPE B  
END PORTLAND CEMENT CONCRETE SIDEWALK, 5 INCH



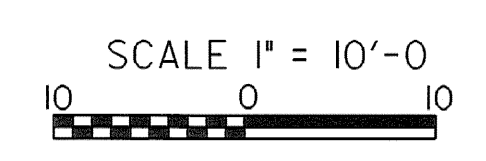
11+00

10+88.00 RT.  
BEGIN CAST-IN-PLACE CONCRETE CURB, TYPE B  
BEGIN PORTLAND CEMENT CONCRETE SIDEWALK, 5 INCH



11+50

STA 11+50.0 RT.  
END SPECIAL DITCH



SHEET NAME: MAINLINE CROSS SECTIONS		
PROJECT NAME: POWNAL	HIGHWAY NO.: TH 24	BRIDGE NO.: 41
PROJECT NUMBER: BRZ 144(19) C/2	OVER: HOOSIC RIVER	
FILE NAME: 87e045/str/se045xs2.dgn	PLOT DATE: 08-FEB-2008	
PROJECT MANAGER: R. WHITCOMB	DRAWN BY: J.GILMORE	
DESIGNED BY: C. CARLSON	IPARM NAME: se045m3.1	SHEET 69 OF 108