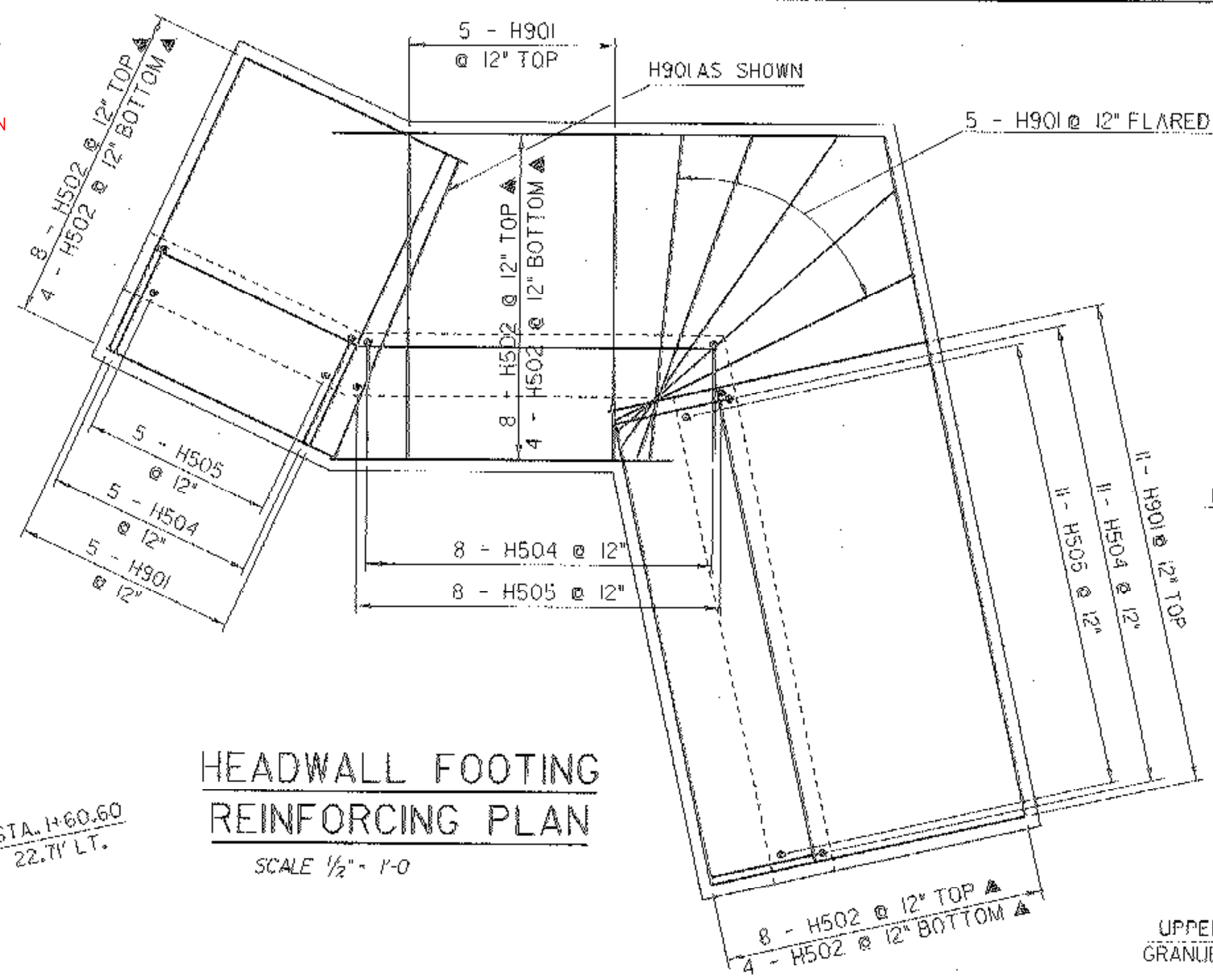
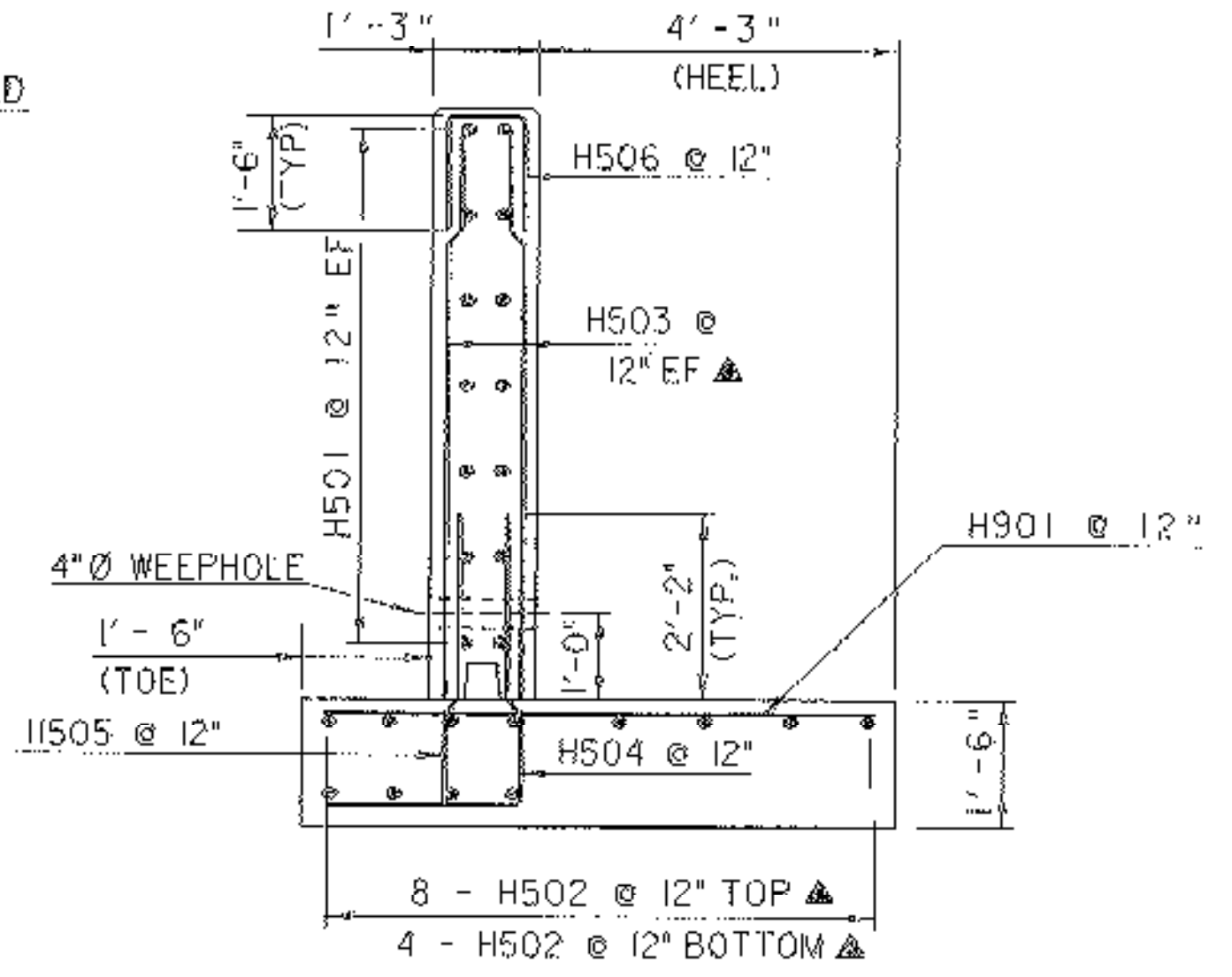


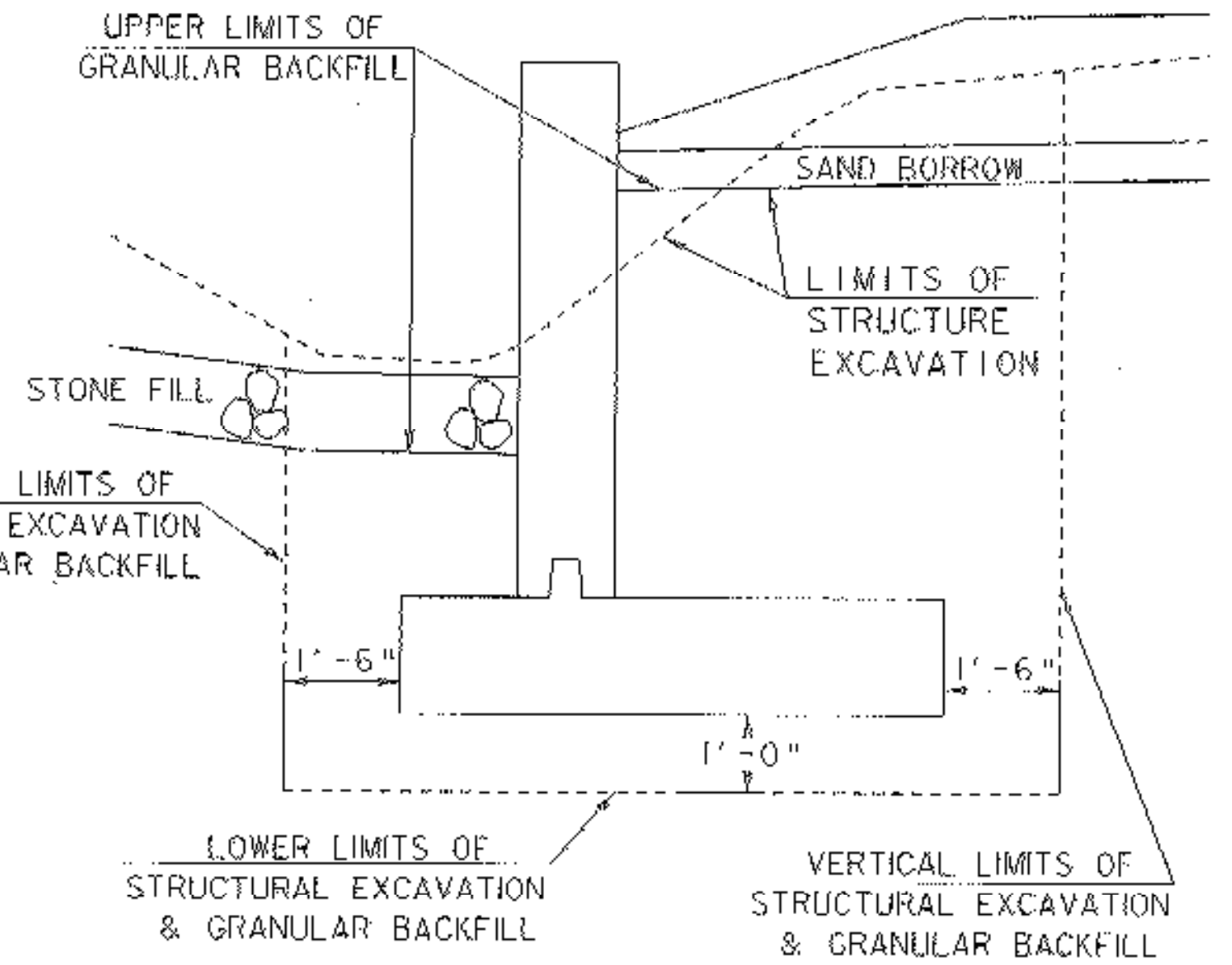
HEADWALL PLAN
SCALE 1/2" = 1'-0"



HEADWALL FOOTING REINFORCING PLAN
SCALE 1/2" = 1'-0"



HEADWALL TYPICAL
SCALE 1/2" = 1'-0"

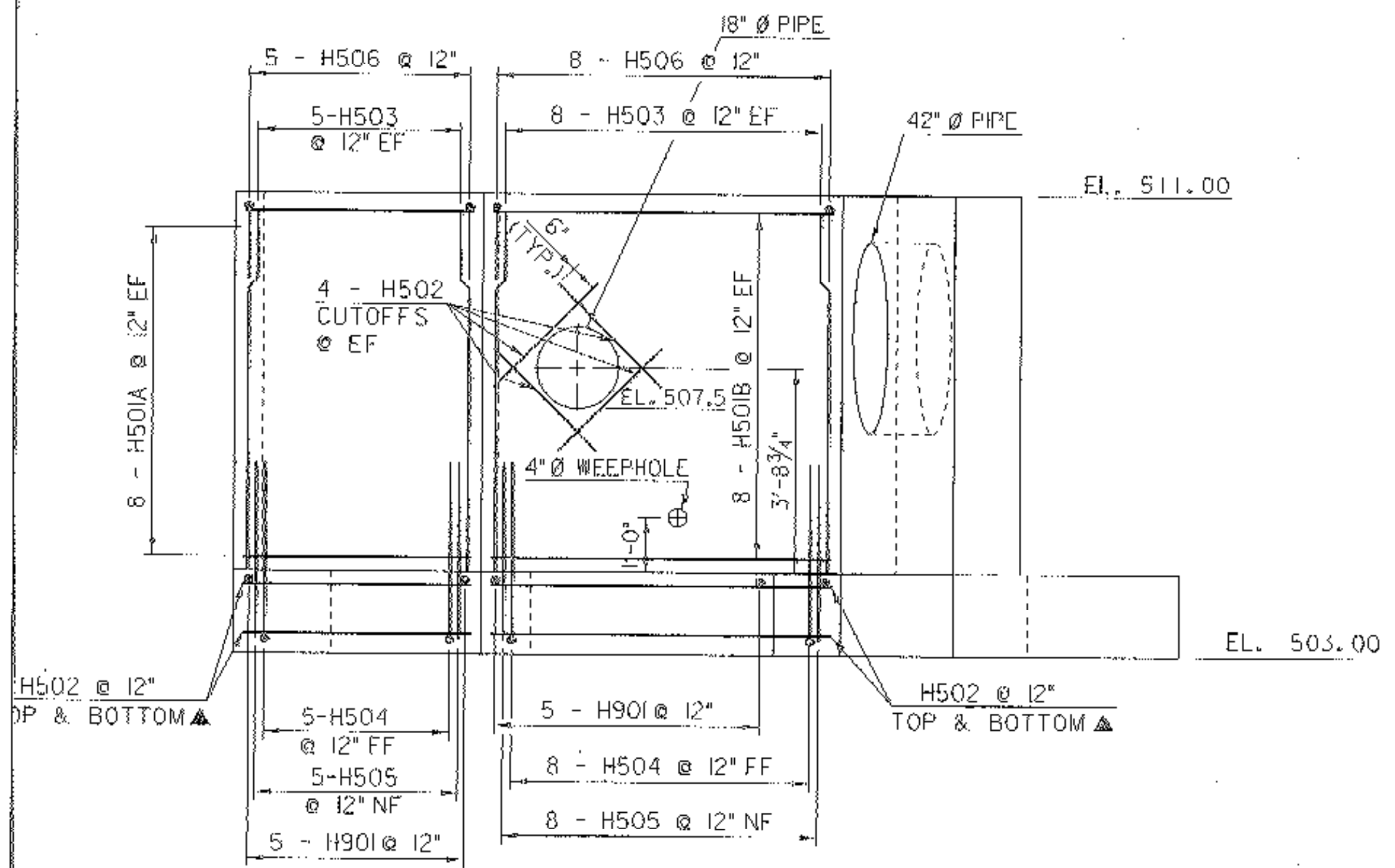


HEADWALL EXCAVATION LIMITS
SCALE 1/2" = 1'-0"

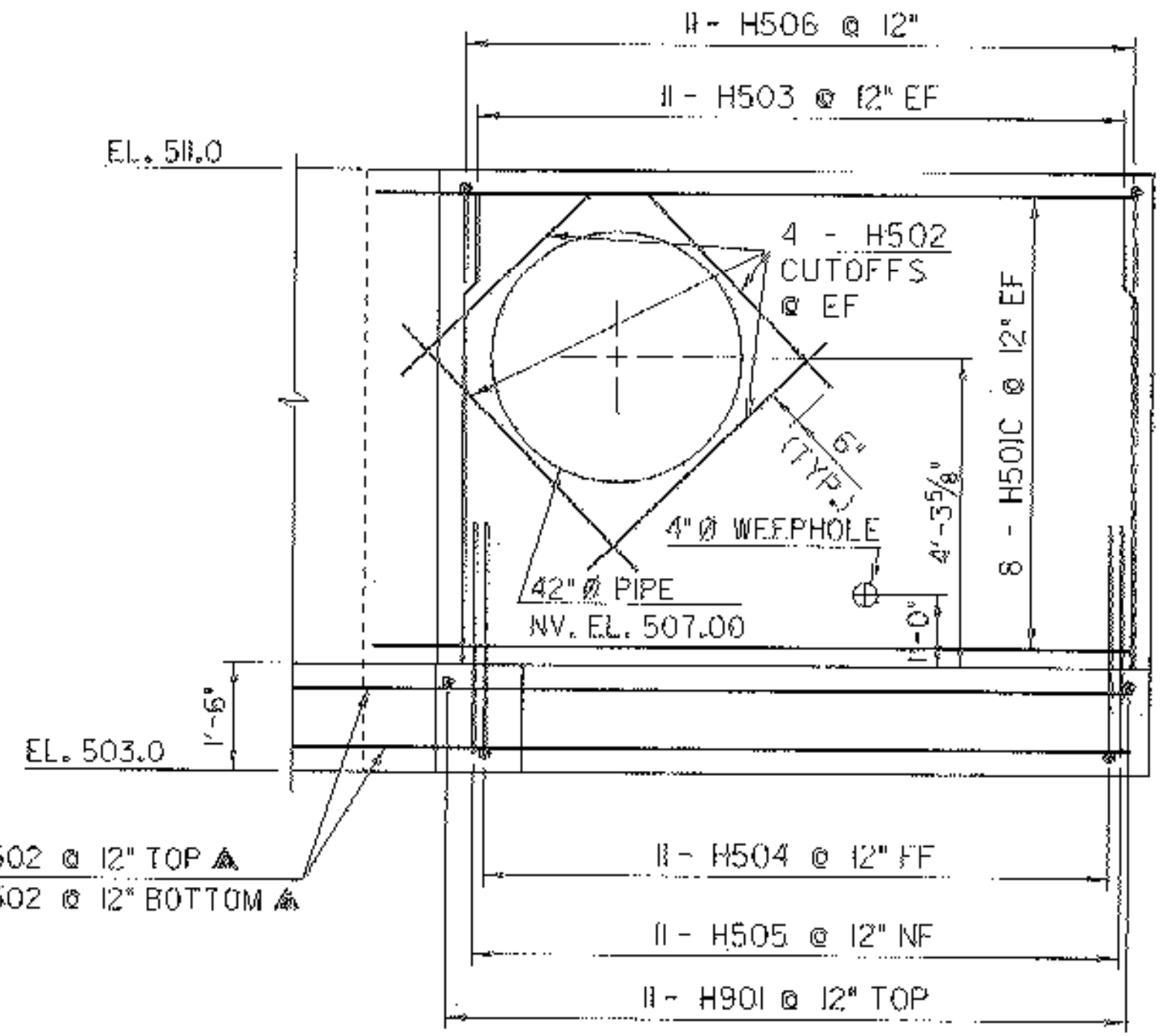
NOTES:

1. NF = NEAR FACE
2. FF = FAR FACE
3. EF = EACH FACE
4. ▲ = CUT TO FIT IN FIELD
5. 3" C.I.R. UNLESS OTHERWISE SPECIFIED ON THE PLANS.

HEADWALL DETAILS



HEADWALL ELEVATION
SCALE 1/2" = 1'-0"



SECTION A-A
SCALE 1/2" = 1'-0"

PROJECT NAME:	POWNAI	FILE NAME:	/87e045/s1r/se045sub.dgn	PLOT DATE:	08-FEB-2008
PROJECT NUMBER:	BRZ 1441(19) C/2	PROJECT LEADER:	R. WHITCOMB	DRAWN BY:	D. PETERSON
		DESIGNED BY:	C. CARLSON	CHECKED BY:	C. CARLSON
		se045sub9.1		SHEET	58 OF 108