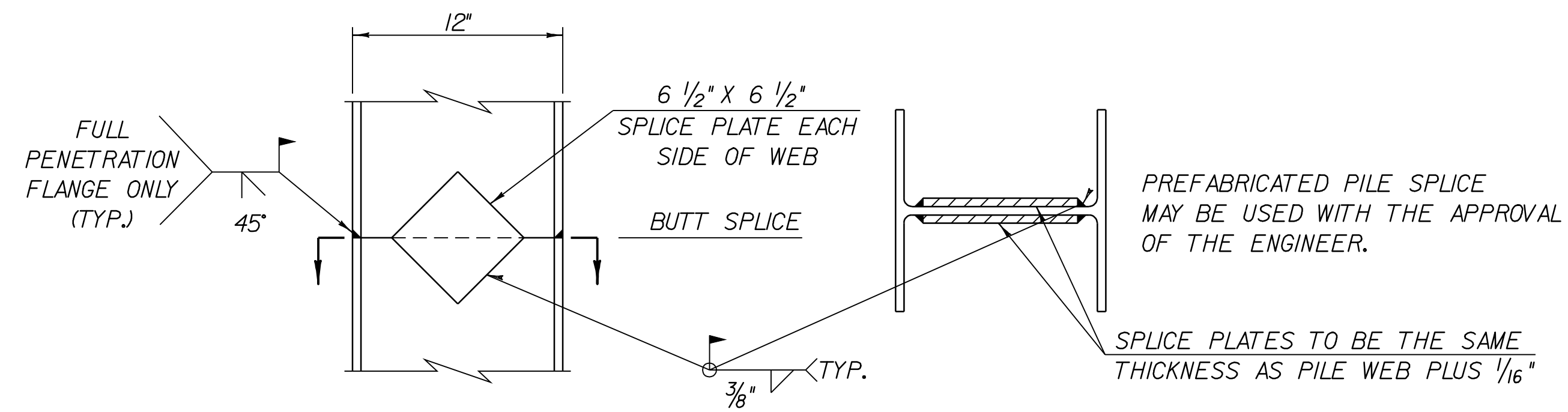


WINGWALL NO. 2 PILE LAYOUT

SCALE 1/2" = 1'-0

WINGWALL NO. 1 PILE LAYOUT

SCALE 1/2" = 1'-0

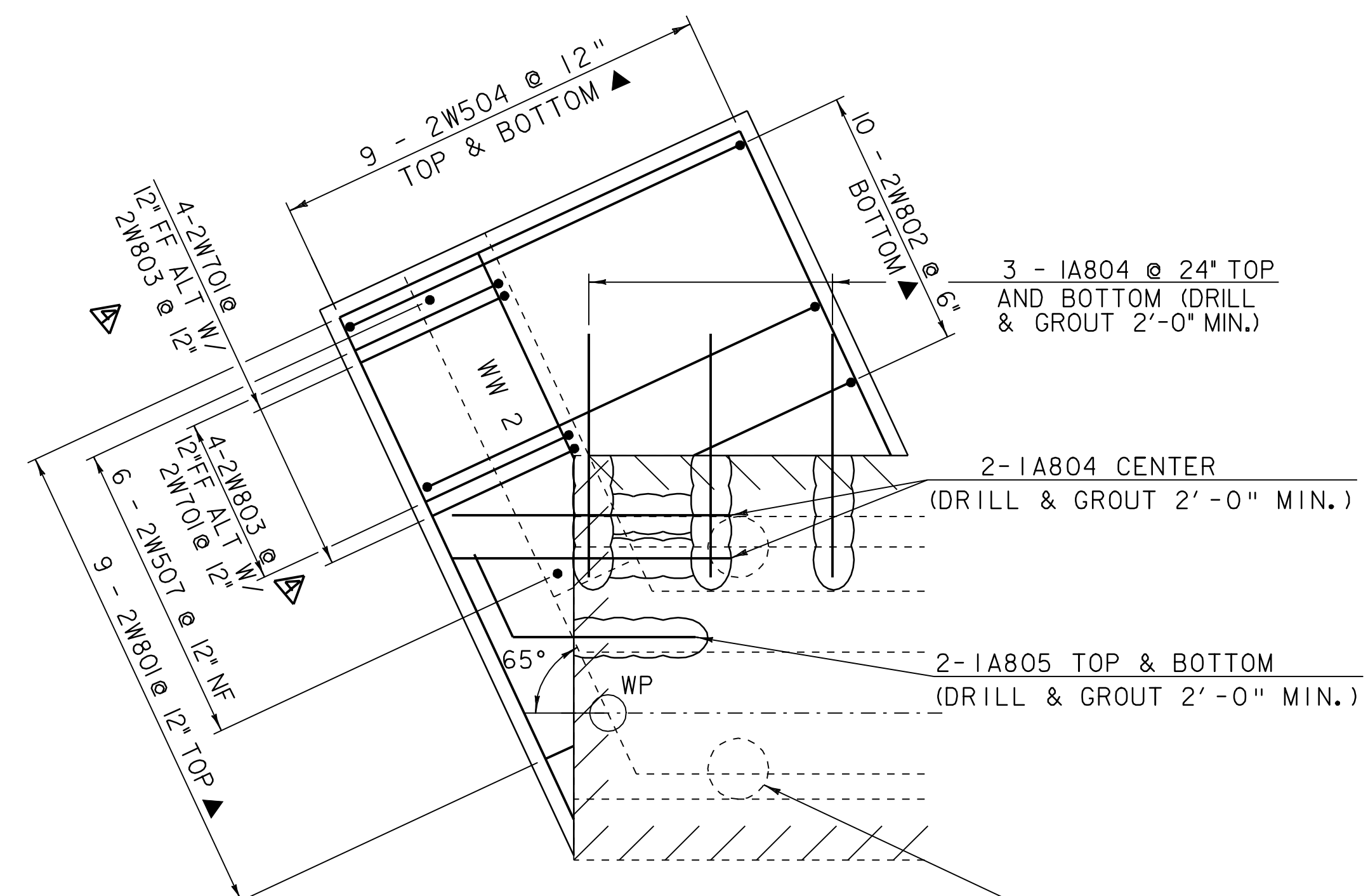


PILE SPLICE DETAILS

NOT TO SCALE

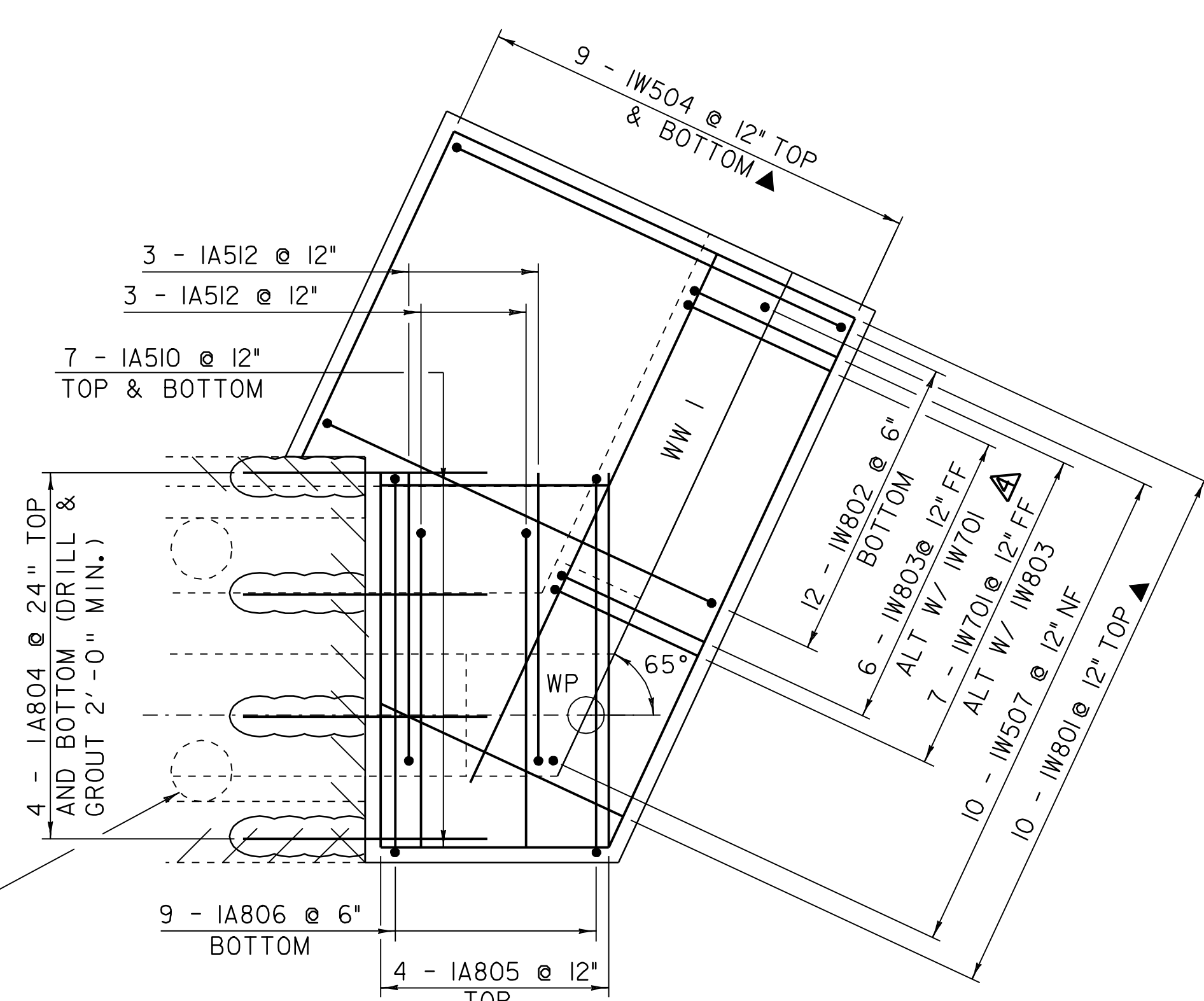
PILE NOTES

- I - INDICATES LOCATION OF A VERTICAL PILE



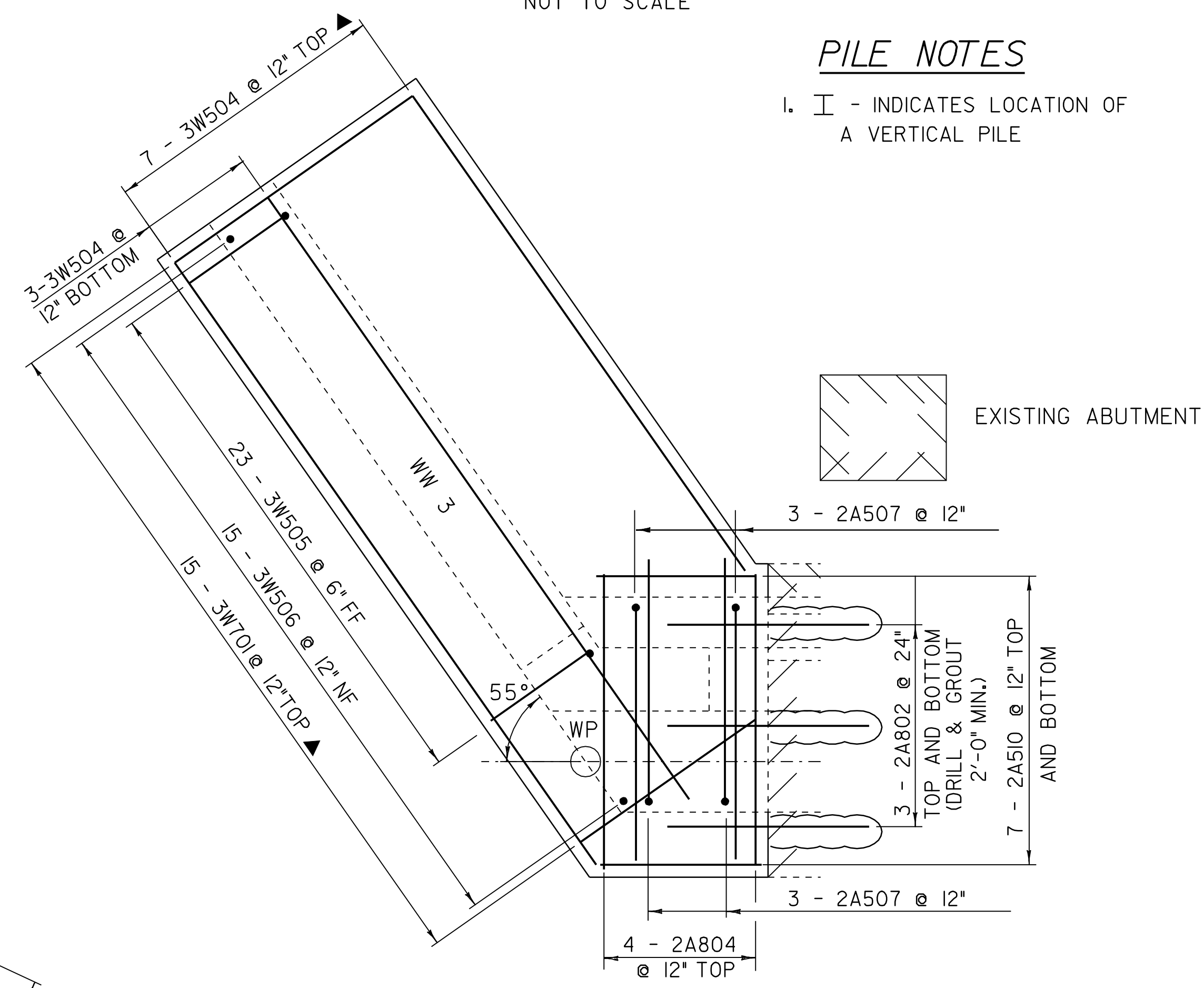
WINGWALL NO. 2 FOOTING REINFORCING PLAN

SCALE 1/2" = 1'-0



WINGWALL NO. 1 FOOTING REINFORCING PLAN

SCALE 1/2" = 1'-0



WINGWALL NO. 3 FOOTING REINFORCING PLAN

SCALE 1/2" = 1'-0

REV.	BY	DATE	DESCRIPTION
4	CWC	7/01/08	EXISTING BOTTOM OF FOOTING ELEVATION REVISED

PILE LAYOUT AND FOOTING REINFORCING PLAN

- NOTES:
- NF = NEAR FACE
 - FF = FAR FACE
 - EF = EACH FACE
 - ▲ = CUT TO FIT IN FIELD
 - 3" CLR. UNLESS OTHERWISE SPECIFIED ON THE PLANS.

PROJECT NAME: POWNAL	PLOT DATE: 23-AUG-2010
PROJECT NUMBER: BRZ 1441(19) C/2	DRAWN BY: D. PETERSON
FILE NAME: /87e045/str/se045sub.dgn	DESIGNED BY: C. CARLSON
PROJECT LEADER: R. WHITCOMB	CHECKED BY: C. CARLSON
se045sub8.i	SHEET 57 OF 108