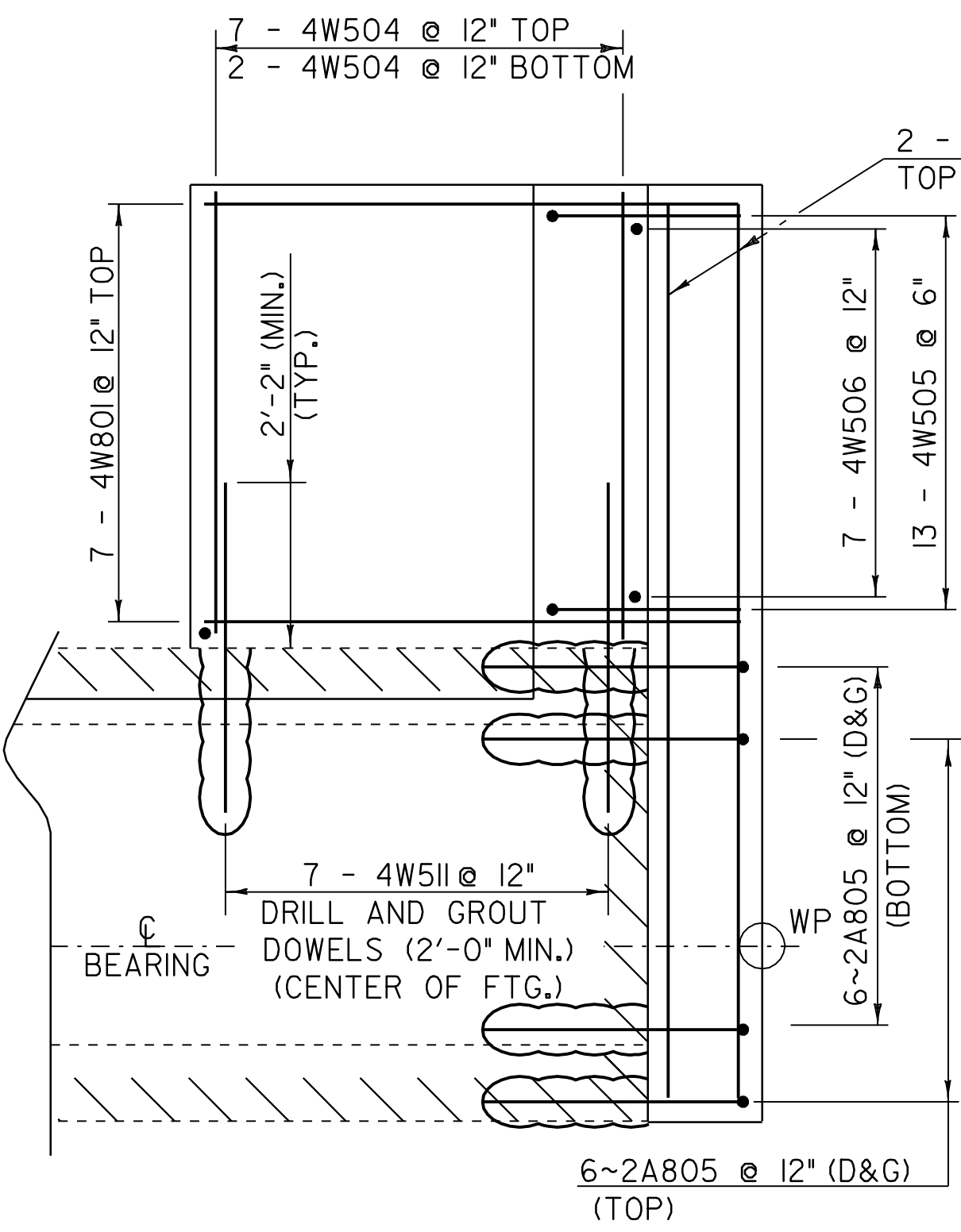
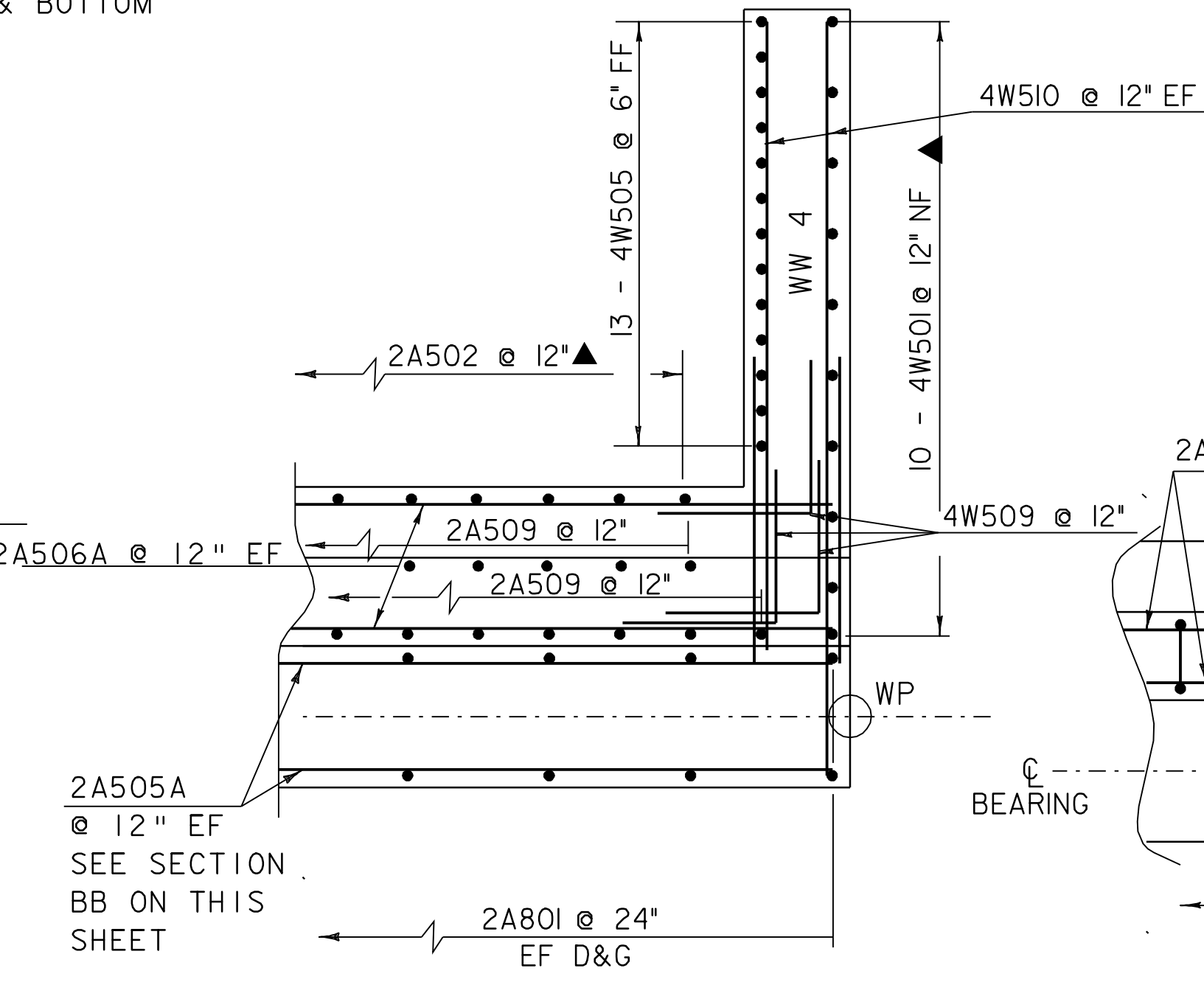


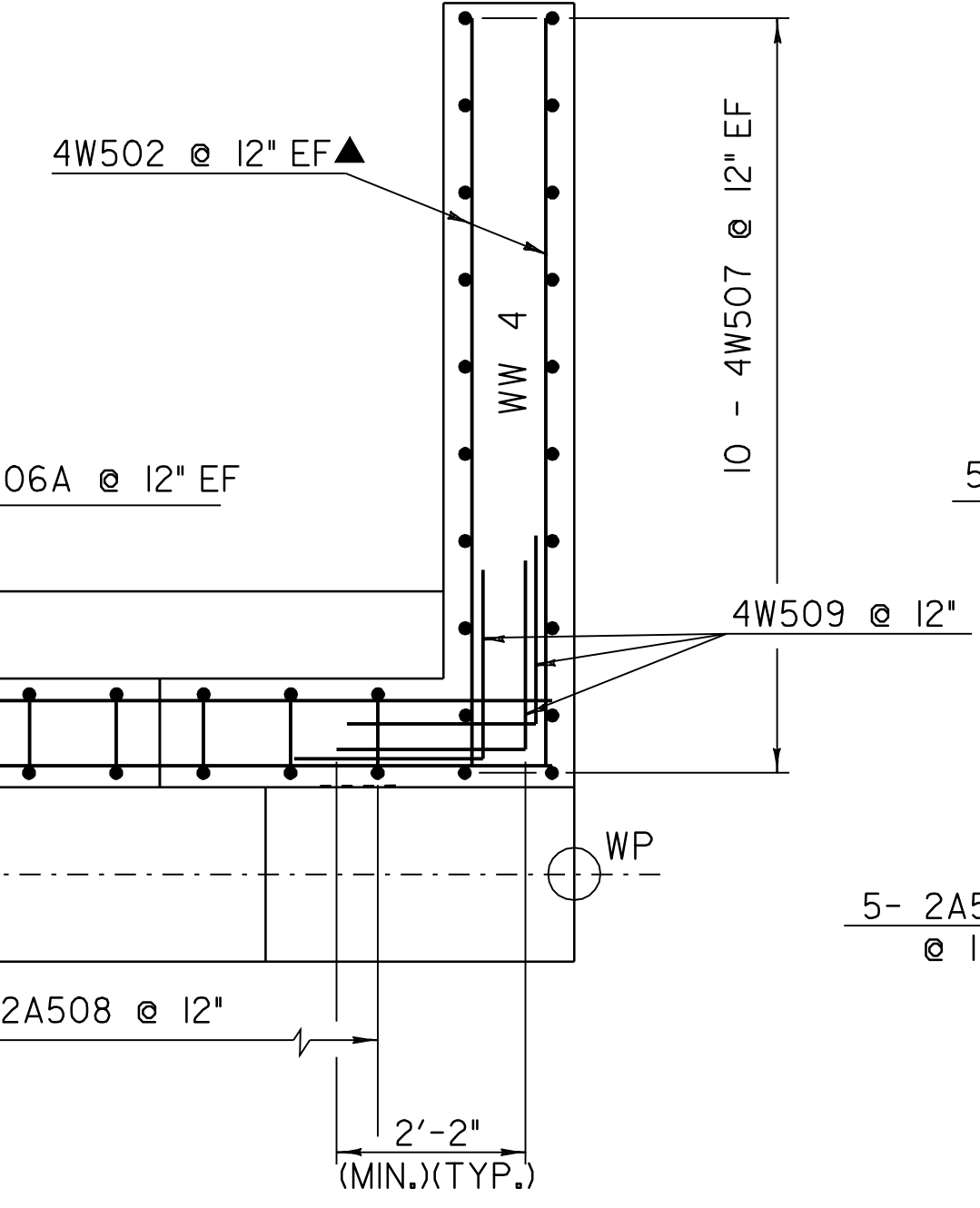
REV.	BY	DATE	DESCRIPTION
4	CWC	7/01/08	EXISTING BOTTOM OF FOOTING ELEVATION REVISED



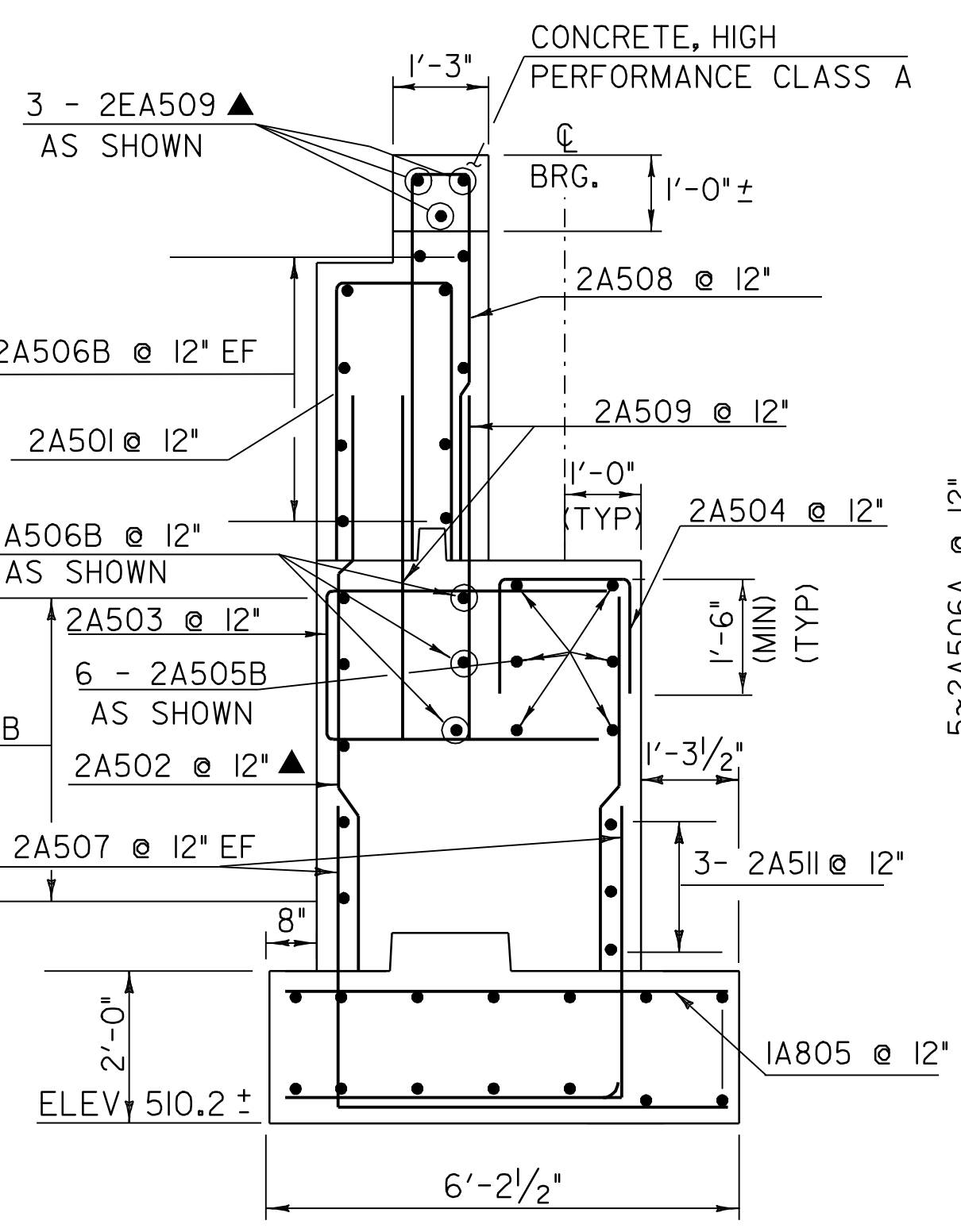
WW4 FOOTING REINFORCING
SCALE 1/2" = 1'-0"



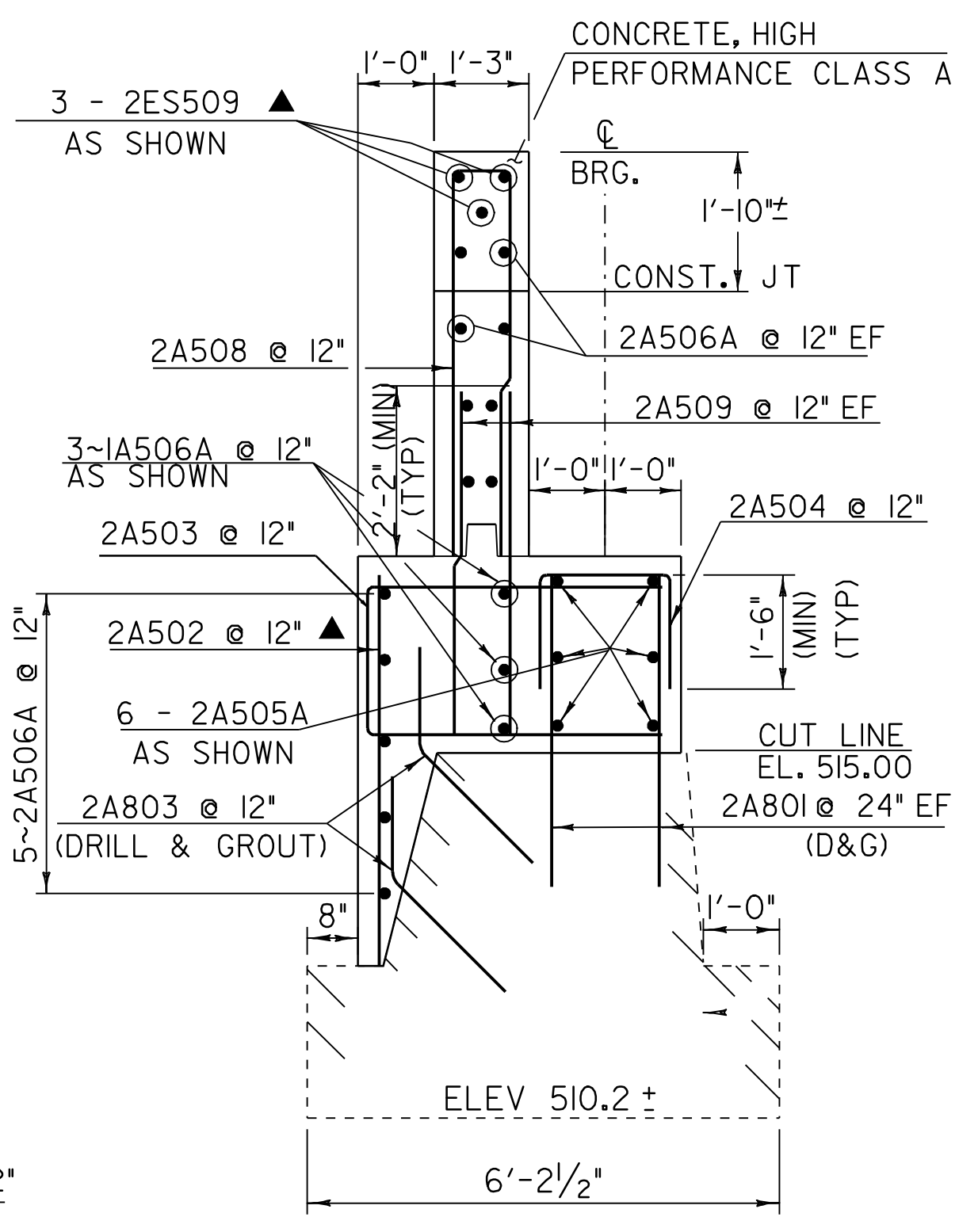
WW4 CORNER REINFORCING SECTION H-H
SCALE 1/2" = 1'-0"



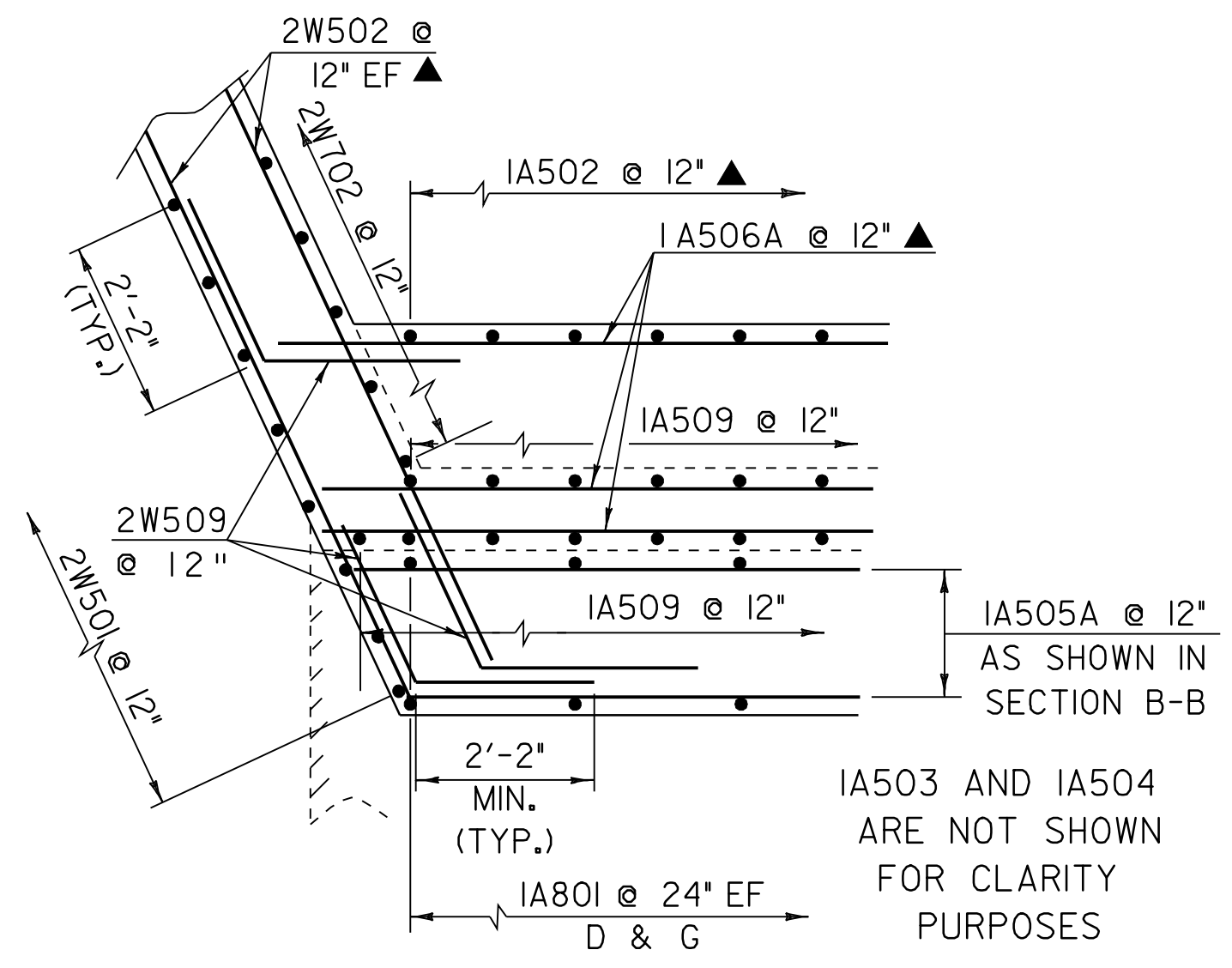
WW4 CORNER REINFORCING SECTION I-I
SCALE 1/2" = 1'-0"



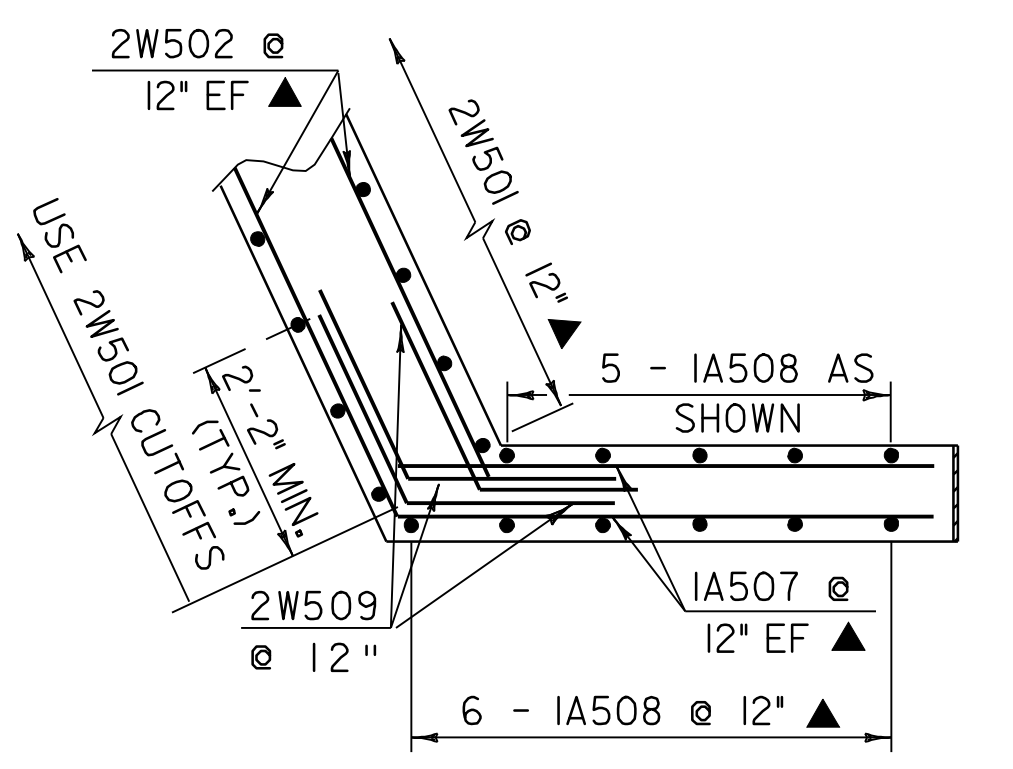
ABUTMENT NO. 2 SECTION C-C
SCALE 1/2" = 1'-0"



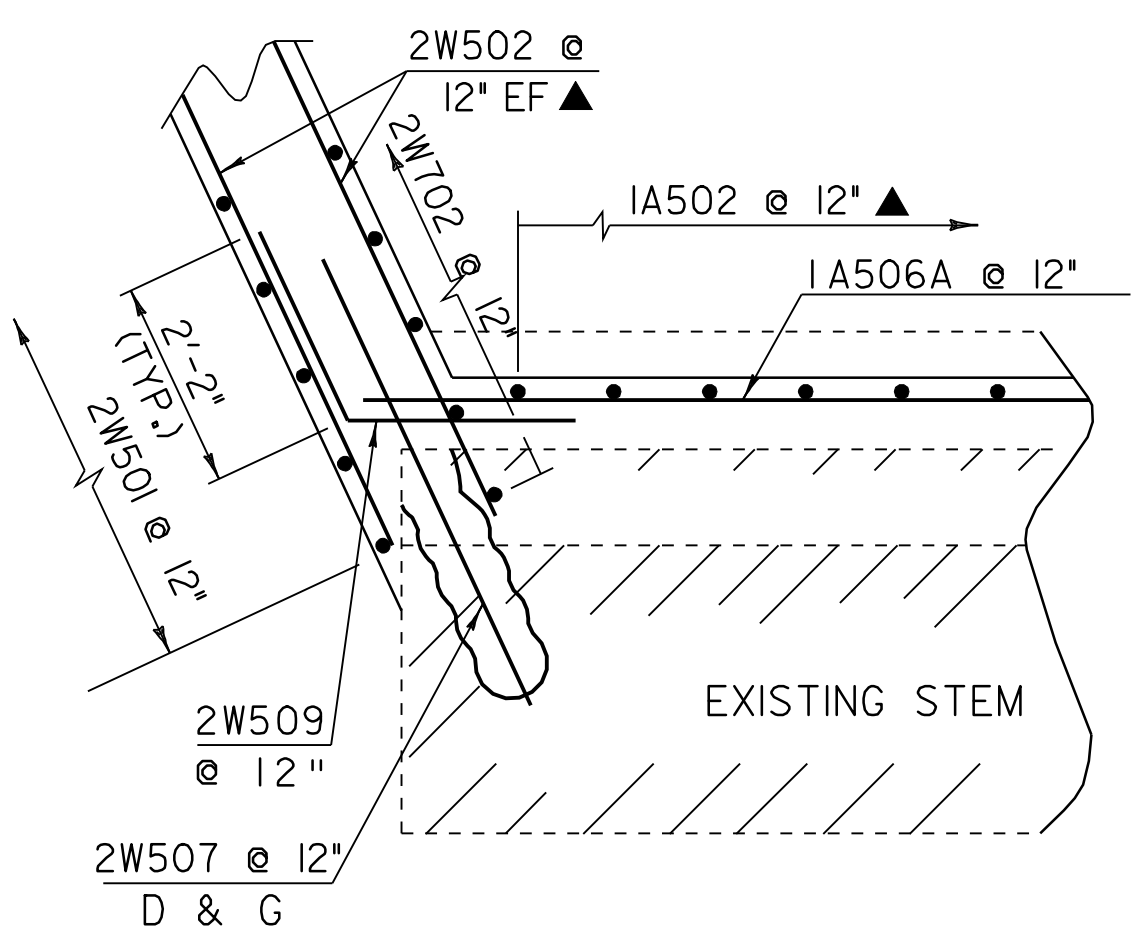
ABUTMENT NO. 2 SECTION B-B
SCALE 1/2" = 1'-0"



WINGWALL NO. 2 CORNER REINFORCING SECTION H-H
SCALE 1/2" = 1'-0"

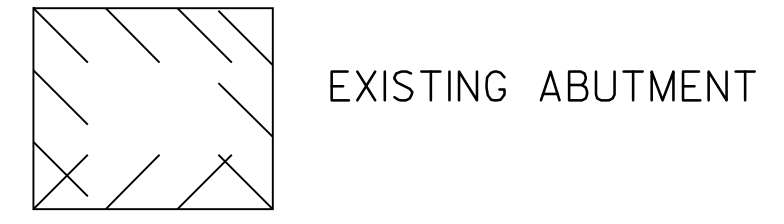


WINGWALL NO. 2 CORNER REINFORCING SECTION G-G
SCALE 1/2" = 1'-0"



WINGWALL NO. 2 CORNER REINFORCING SECTION I-I
SCALE 1/2" = 1'-0"

- NOTES:**
- NF = NEAR FACE
 - FF = FAR FACE
 - EF = EACH FACE
 - ▲ = CUT TO FIT IN FIELD
 - 3" CLR. UNLESS OTHERWISE SPECIFIED ON THE PLANS.
 - D & G - DRILL & GROUT 2'-0" MIN.



WINGWALL NO. 2 & NO. 4 CORNER DETAILS

PROJECT NAME: POWNAL	PLOT DATE: 23-AUG-2010
PROJECT NUMBER: BRZ 1441(19) C/2	DRAWN BY: D. PETERSON
FILE NAME: /87e045/str/se045sub.dgn	CHECKED BY: C. CARLSON
PROJECT LEADER: R. WHITCOMB	DESIGNED BY: C. CARLSON
se045sub7.i	SHEET 56A OF 108