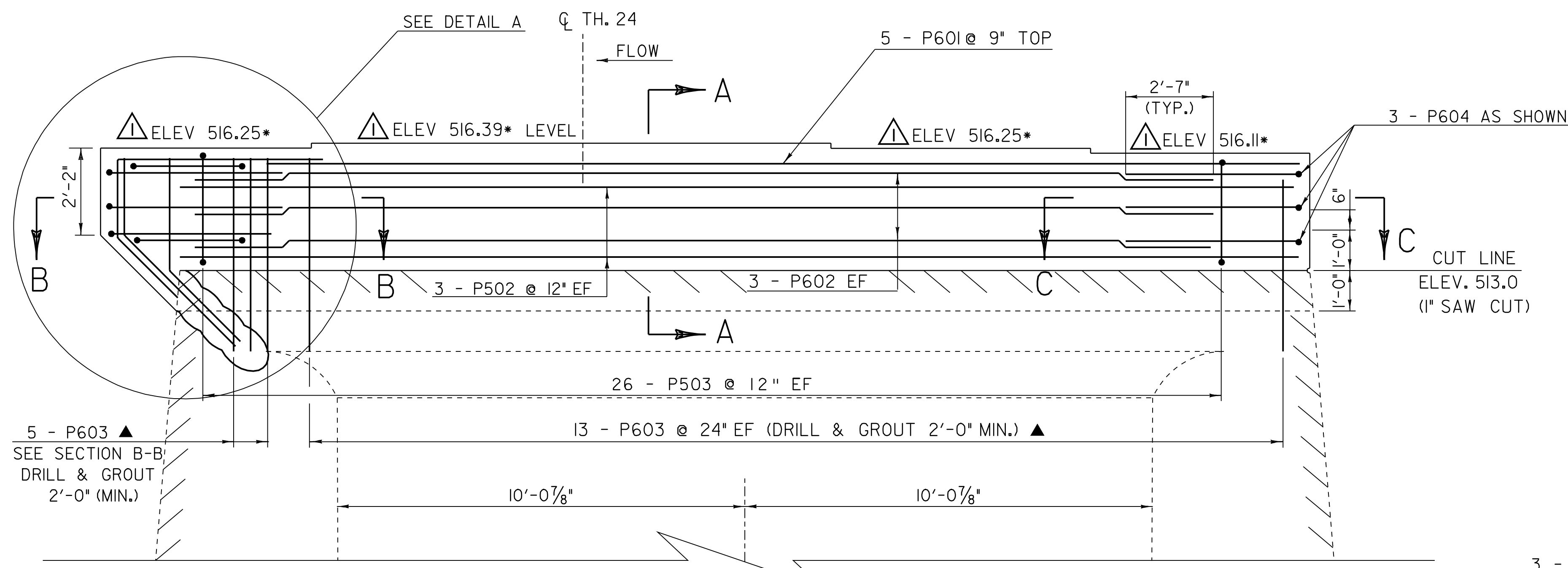
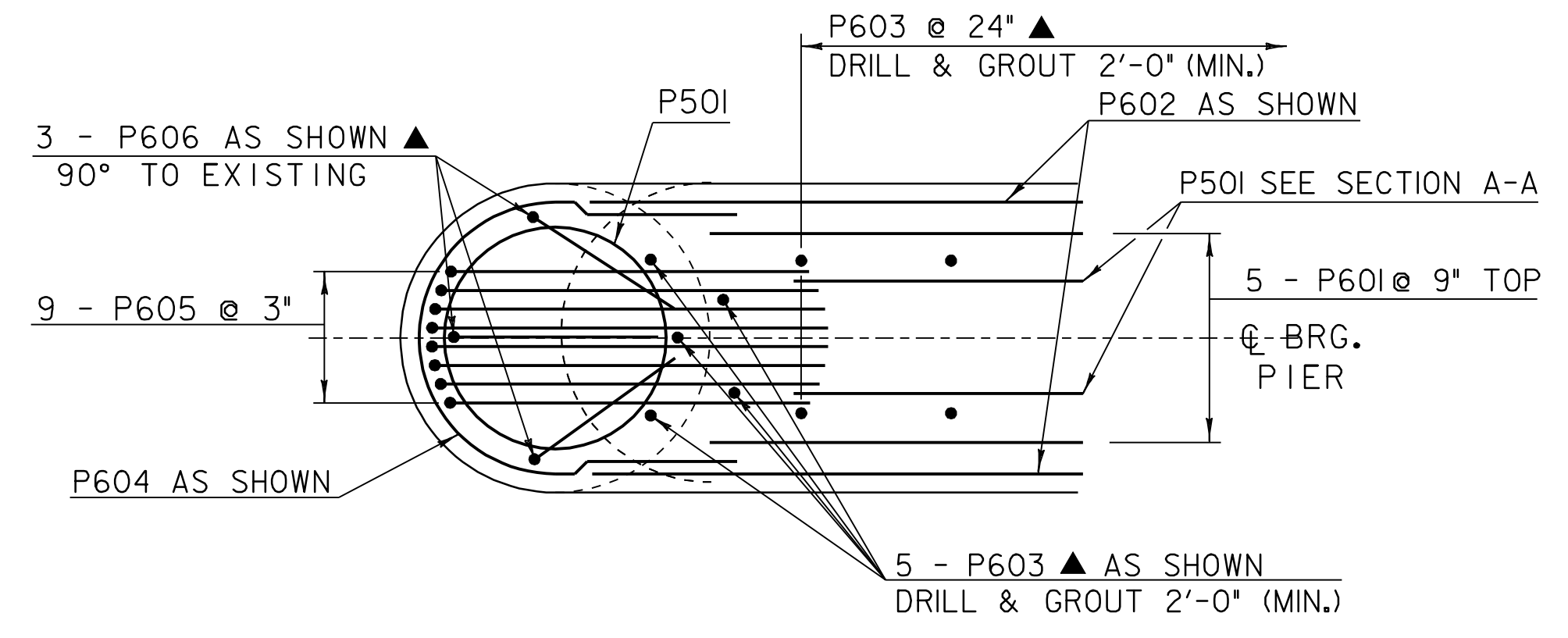
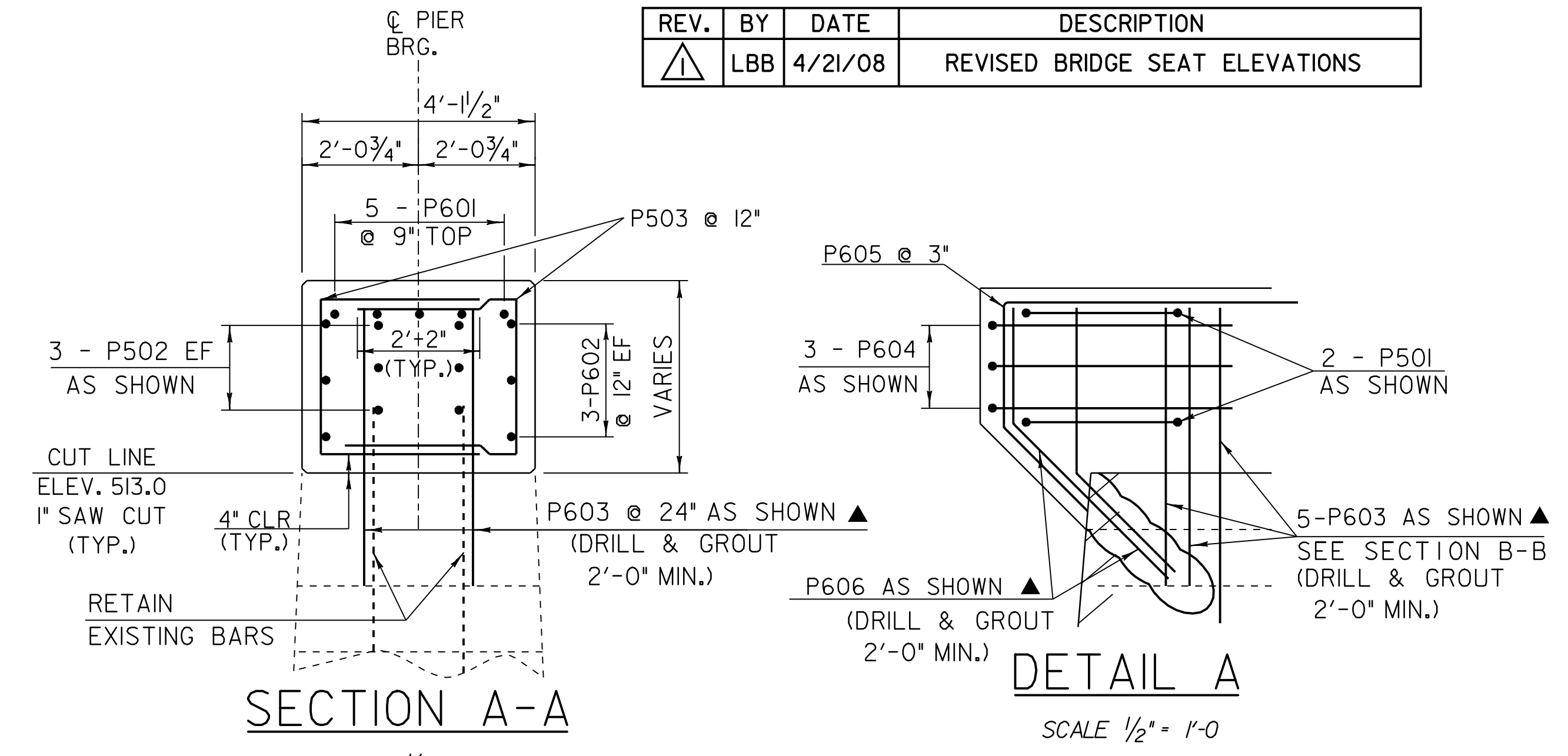


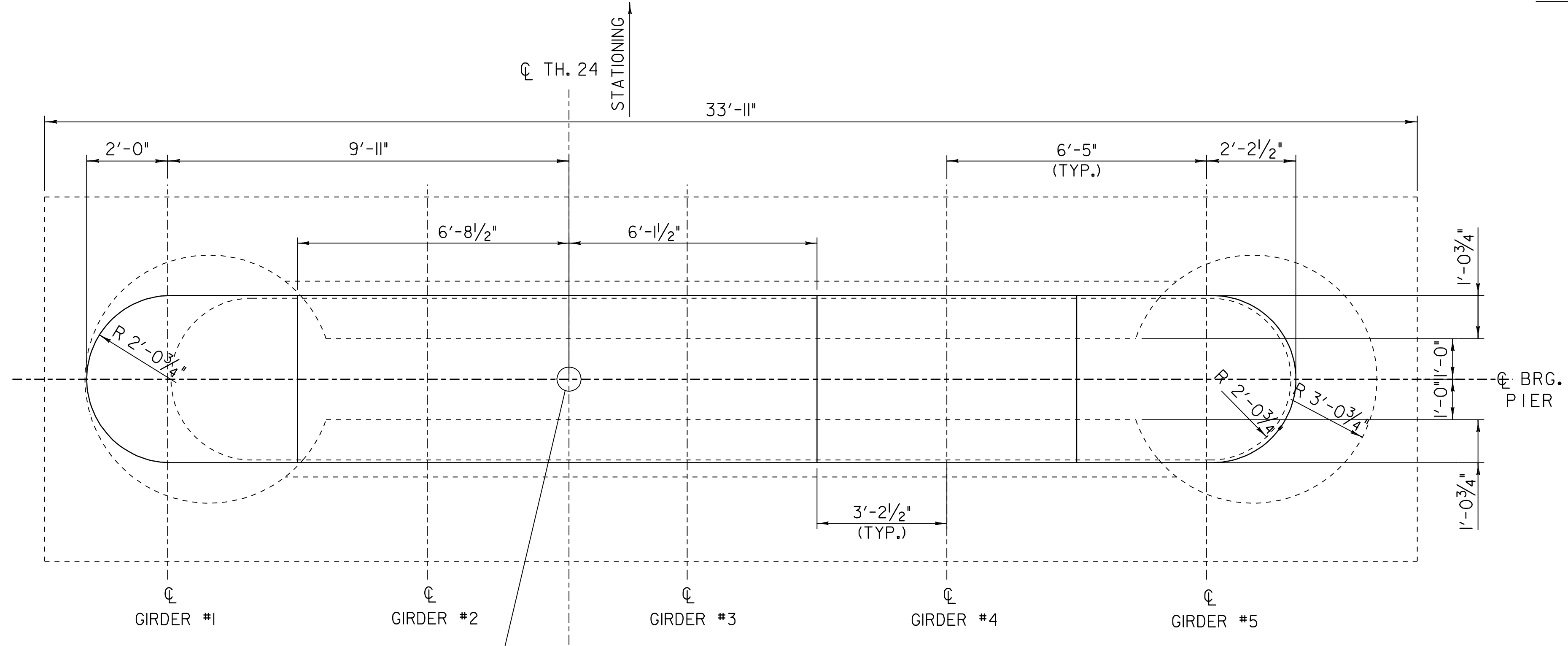
| REV. | BY  | DATE    | DESCRIPTION                    |
|------|-----|---------|--------------------------------|
| 1    | LBB | 4/21/08 | REVISED BRIDGE SEAT ELEVATIONS |



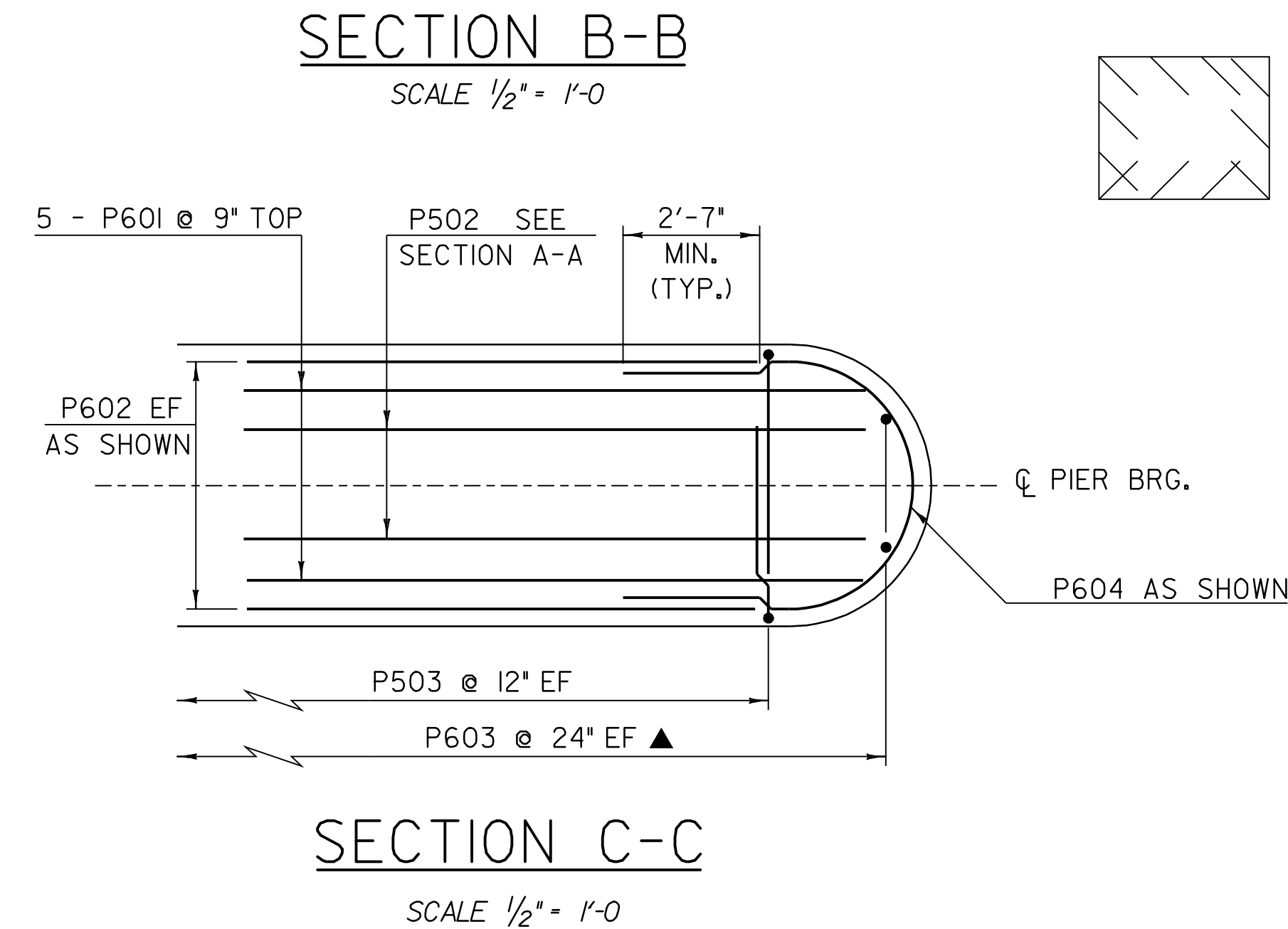
PIER ELEVATION  
 SCALE 1/2" = 1'-0"



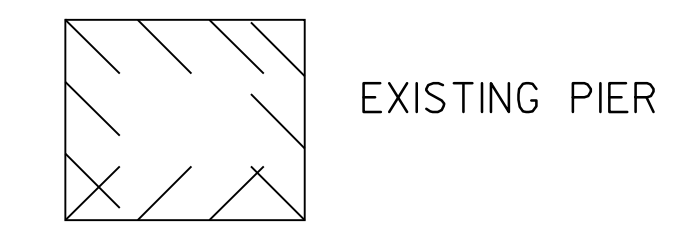
SECTION B-B  
 SCALE 1/2" = 1'-0"



PIER PLAN  
 SCALE 1/2" = 1'-0"



SECTION C-C  
 SCALE 1/2" = 1'-0"



- NOTES:**
- NF = NEAR FACE
  - FF = FAR FACE
  - EF = EACH FACE
  - ▲ = CUT TO FIT IN FIELD
  - 4" CLR. FOR PIER UNLESS SPECIFIED ON THE PLANS.
  - \* SEAT ELEVATIONS ARE BASED ON BEARING HEIGHT SHOWN ON SHEET 44. ELEVATIONS MUST BE ADJUSTED FOR ACTUAL DEPTH OF BEARING USED.
  - D & G DRILL & GROUT 2'-0" MIN.

PIER REINFORCING DETAILS

|                 |                 |                 |                         |             |             |
|-----------------|-----------------|-----------------|-------------------------|-------------|-------------|
| PROJECT NAME:   | POWNAI          | FILE NAME:      | 87e045/str/se045sub.dgn | PLOT DATE:  | 23-AUG-2010 |
| PROJECT NUMBER: | BRZ 144(I9) C/2 | PROJECT LEADER: | R. WHITCOMB             | DRAWN BY:   | D. PETERSON |
|                 |                 | DESIGNED BY:    | C. CARLSON              | CHECKED BY: | W. LAMMER   |
|                 |                 |                 | se045sub4.1             | SHEET       | 54 OF 108   |