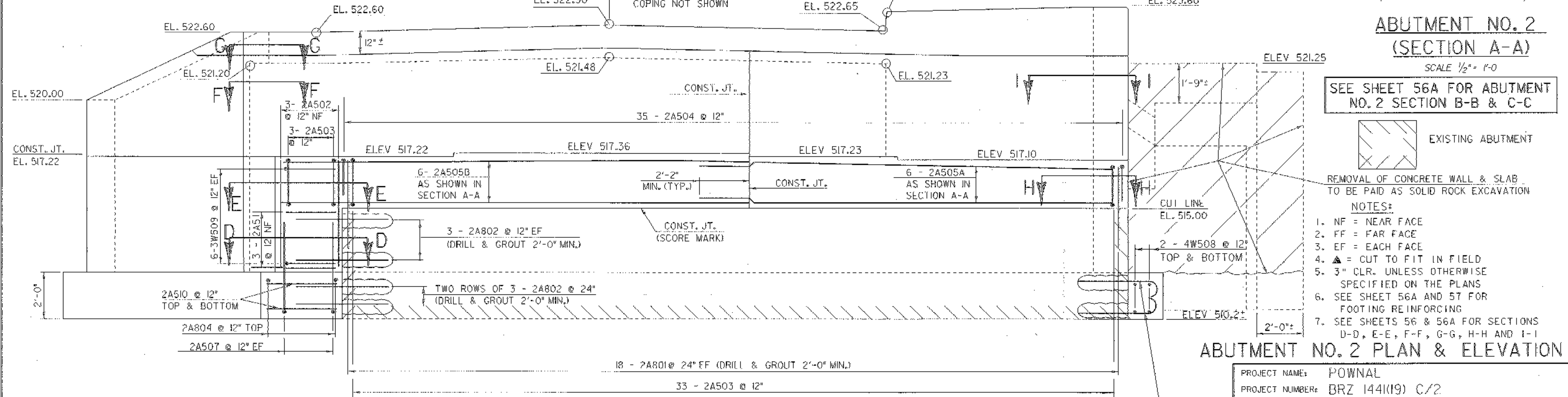
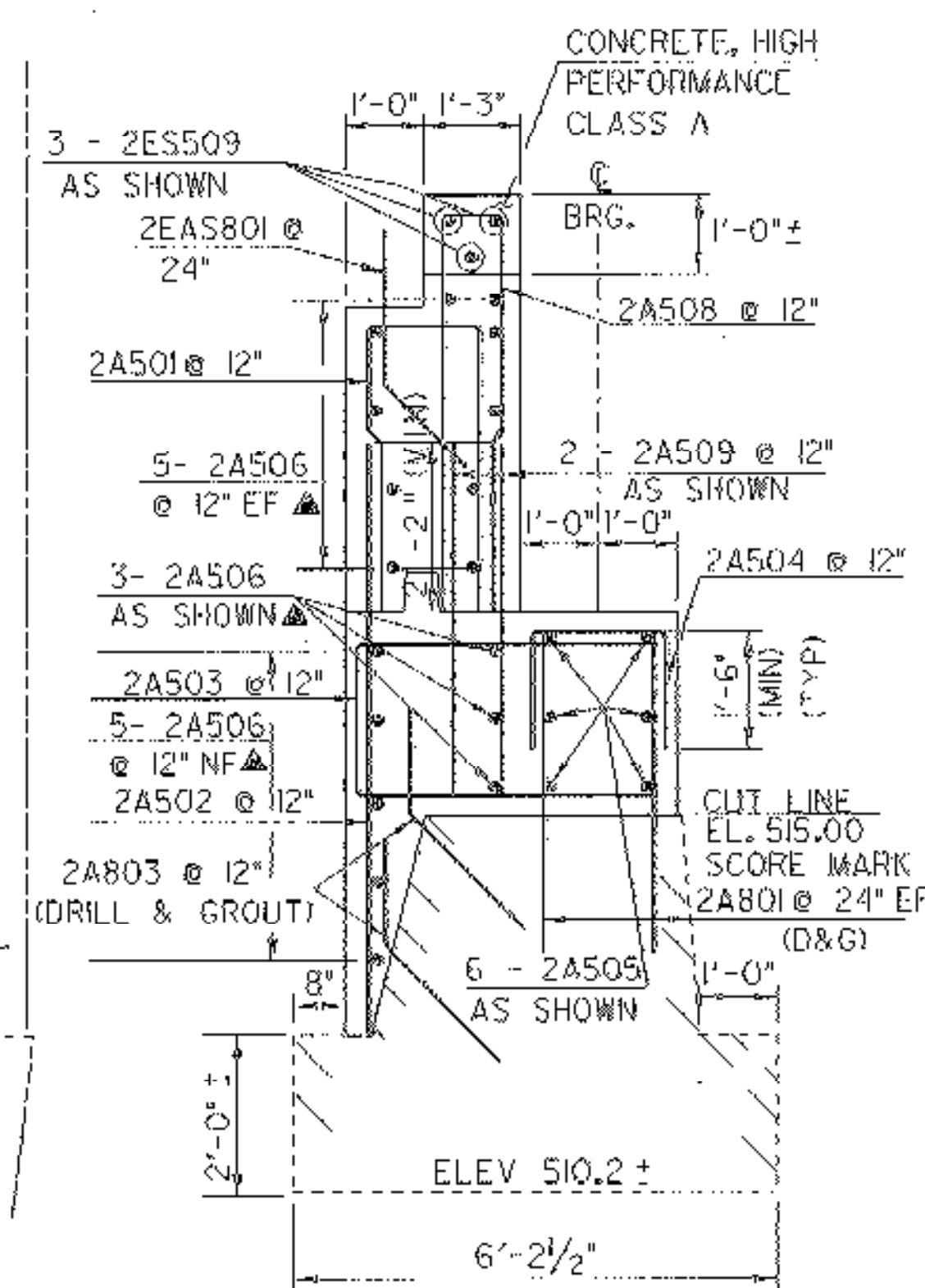


CHANGE AS PER CONVERSATION
W/ DESIGNER CAROLYN CARLSON



SEE SHEET 56A FOR ABUTMENT
NO. 2 SECTION B-B & C-C

EXISTING ABUTMENT
REMOVAL OF CONCRETE WALL & SLAB
TO BE PAID AS SOLID ROCK EXCAVATION

- NOTES:
1. NF = NEAR FACE
 2. FF = FAR FACE
 3. EF = EACH FACE
 4. ▲ = CUT TO FIT IN FIELD
 5. 3" CLR. UNLESS OTHERWISE SPECIFIED ON THE PLANS
 6. SEE SHEET 56A AND 57 FOR FOOTING REINFORCING
 7. SEE SHEETS 56 & 56A FOR SECTIONS D-D, E-E, F-F, G-G, H-H AND I-I

ABUTMENT NO. 2 PLAN & ELEVATION

PROJECT NAME:	POWNAI	PLOT DATE:	29-FEB-2008
PROJECT NUMBER:	BRZ 144I(19) C/2	DRAWN BY:	D. PETERSON
FILE NAME:	87e045/str/se045sub.dgn	CHECKED BY:	W. LAMMER
PROJECT LEADER:	R. WHITCOMB	SHEET	52 OF 108
DESIGNED BY:	C. CARLSON		
se045sub2.j			

ABUTMENT NO. 2 ELEVATION
SCALE 1/2" = 1'-0"

TWO ROWS - 2A805 @ 12"
(DRILL & GROUT 2'-0" MIN.)