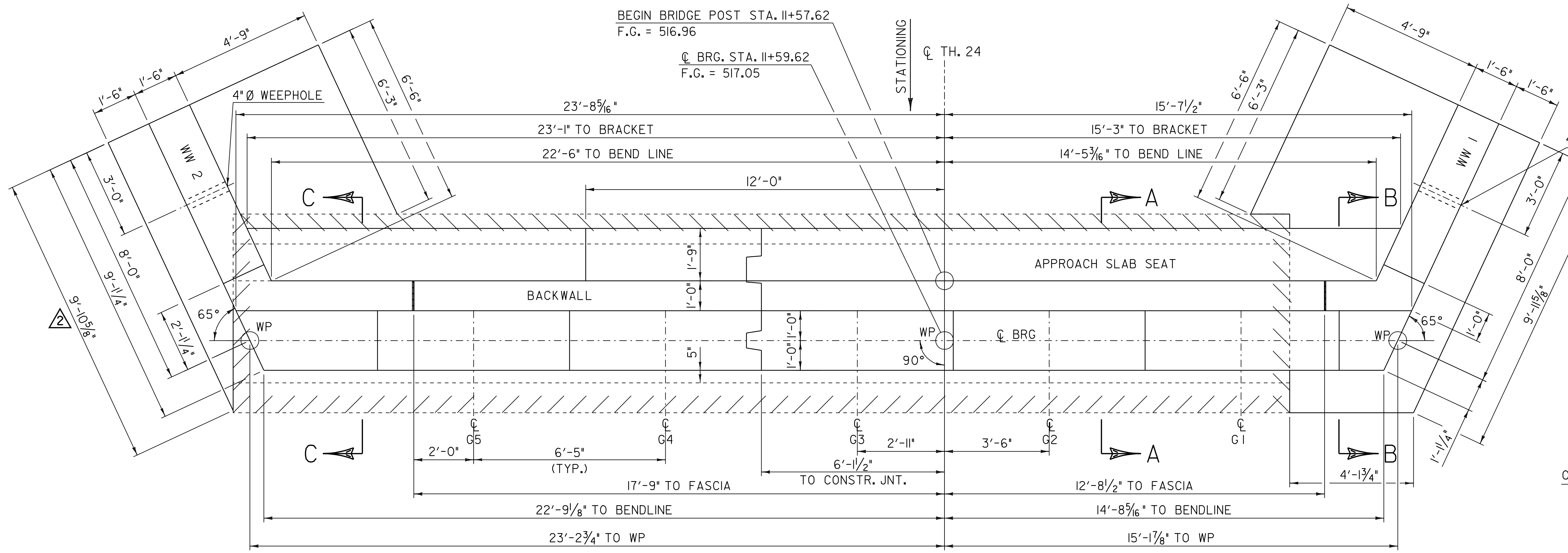
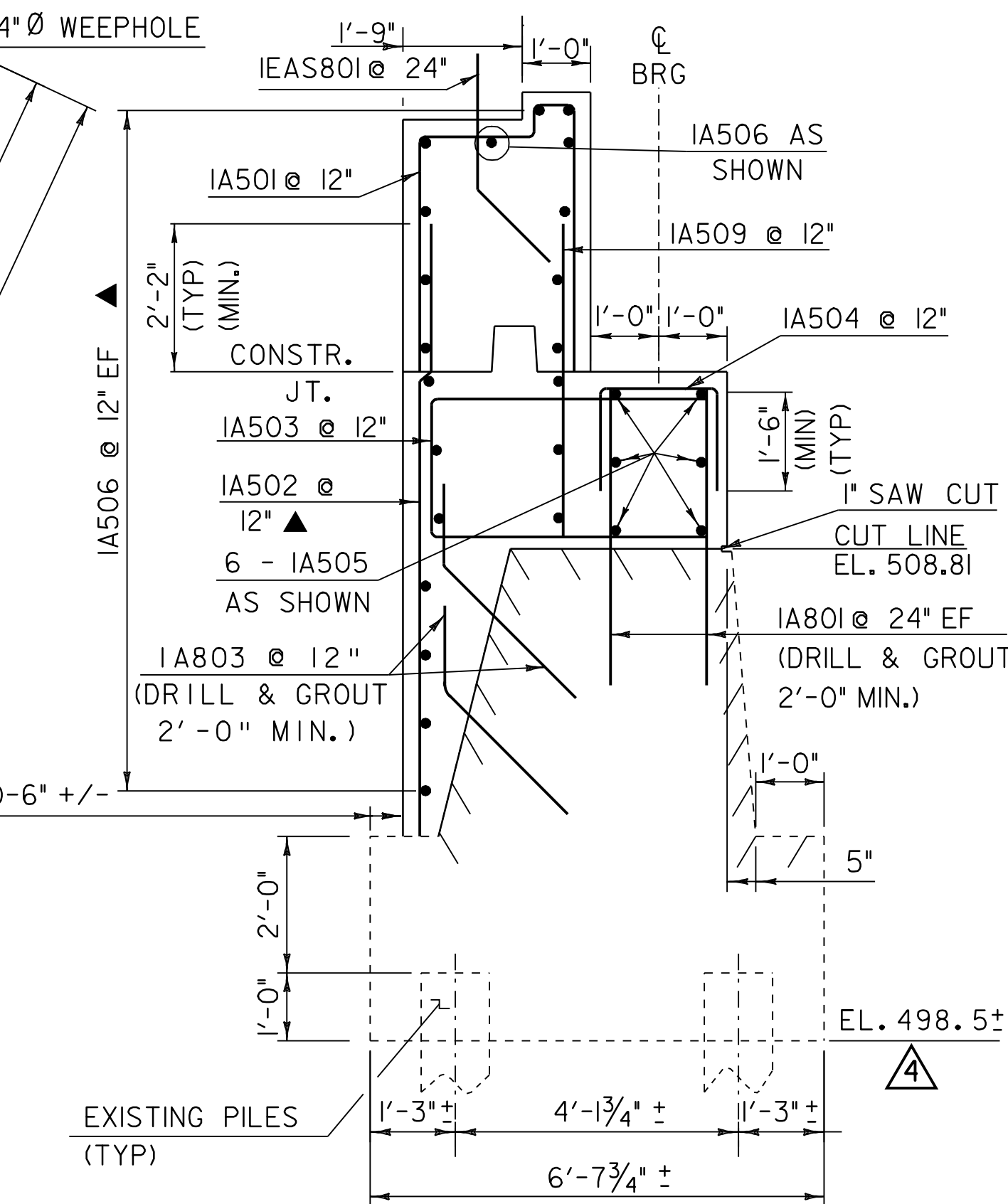


REV.	BY	DATE	DESCRIPTION
1	LBB	4/21/08	REVISED BRIDGE SEAT ELEVATIONS
2	LBB	4/21/08	REVISED DIMENSION OF FOOTING ON WW2
3	CWC	5/22/08	REVISED WW 1 & WW 2 ELEVATIONS
4	CWC	7/01/08	EXISTING BOTTOM OF FOOTING ELEVATION REVISED

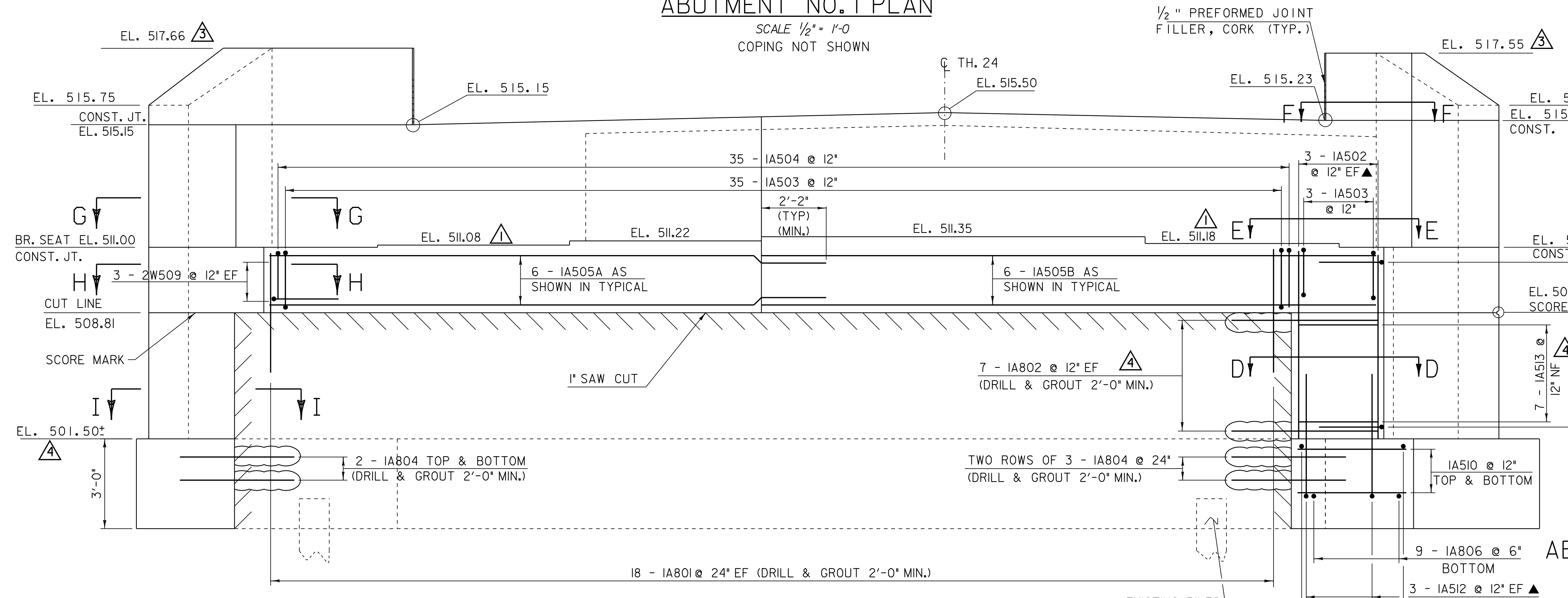


ABUTMENT NO. I PLAN
SCALE 1/2" = 1'-0"
COPING NOT SHOWN



ABUTMENT NO. I (SECTION A-A)
(NTS)

SEE SHEET 55 FOR ABUTMENT NO. I SECTION B-B AND SECTION C-C



ABUTMENT NO. I ELEVATION
(NTS)

- NOTES:**
- NF = NEAR FACE
 - FF = FAR FACE
 - EF = EACH FACE
 - ▲ = CUT TO FIT IN FIELD
 - 3" CLR. UNLESS OTHERWISE SPECIFIED ON THE PLANS
 - SEE SHEET 57 FOR FOOTING REINFORCING
 - SEE SHT 53 FOR BACKWALL DETAIL AND CORNER DETAIL (SECTIONS EE & FF)
 - SEE SHEET 55 FOR SECTION DD
 - SEE SHEET 56A FOR SECTIONS G-G, H-H, AND I-I.

ABUTMENT NO. I PLAN & ELEVATION

PROJECT NAME:	POWNAL	FILE NAME:	87e045/str/se045sub.dgn	PLOT DATE:	23-AUG-2010
PROJECT NUMBER:	BRZ 144(I9) C/2	PROJECT LEADER:	R. WHITCOMB	DRAWN BY:	D. PETERSON
		DESIGNED BY:	C. CARLSON	CHECKED BY:	W. LAMMER
			se045sub1.l	SHEET	51 OF 108