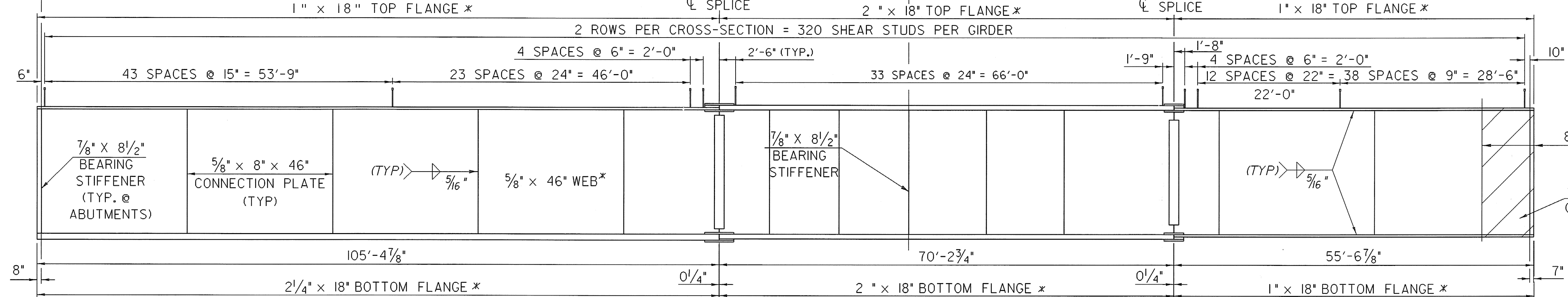


FRAMING PLAN

HORIZONTAL SCALE 1" = 10'-0"
VERTICAL SCALE 1" = 5'-0"

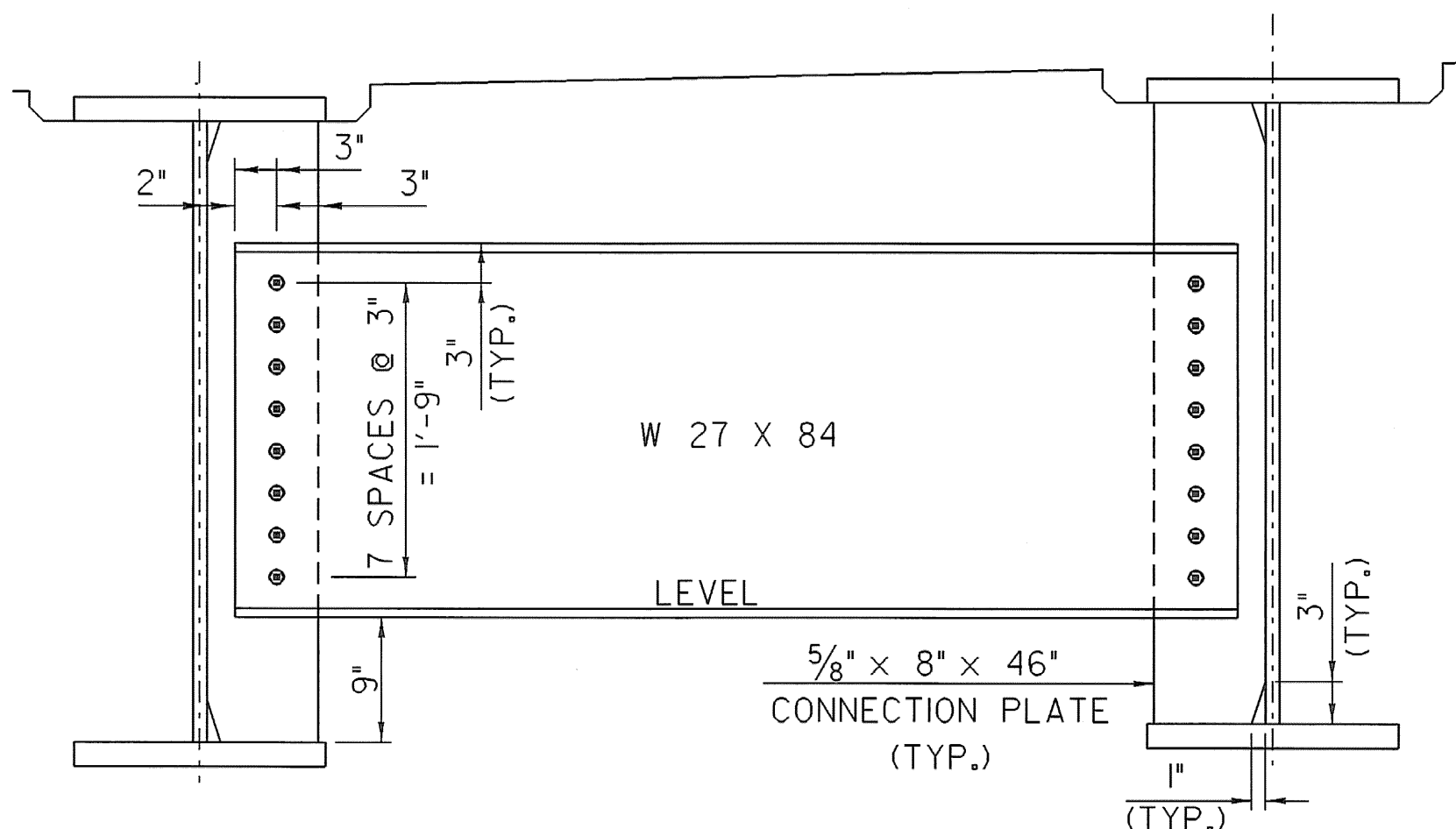


GIRDER ELEVATION

GIRDERS 1-5

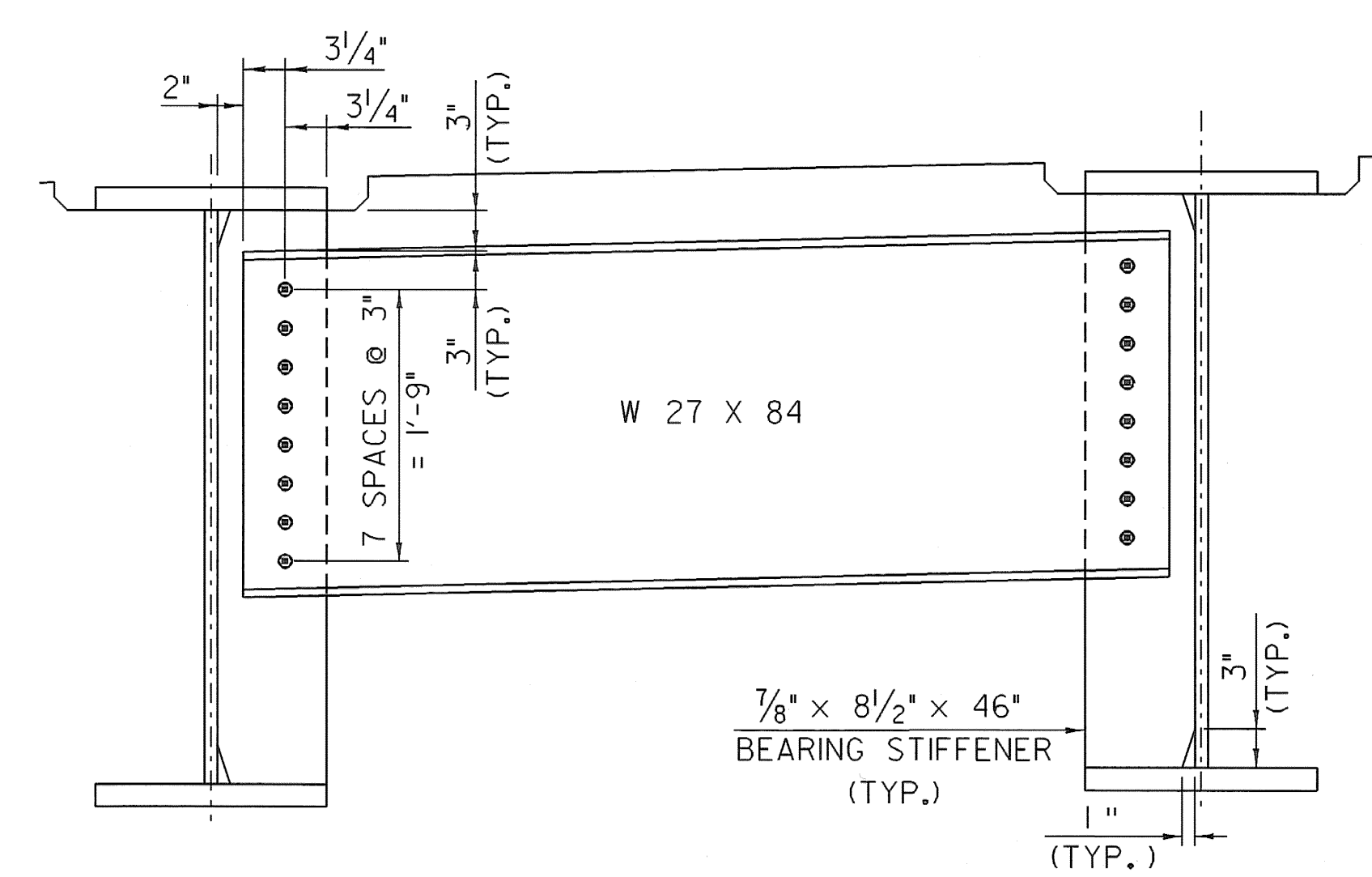
HORIZONTAL SCALE 1" = 10'-0"
VERTICAL SCALE 1" = 2'-0"

* CVN ~ CHARPY V NOTCH TESTING



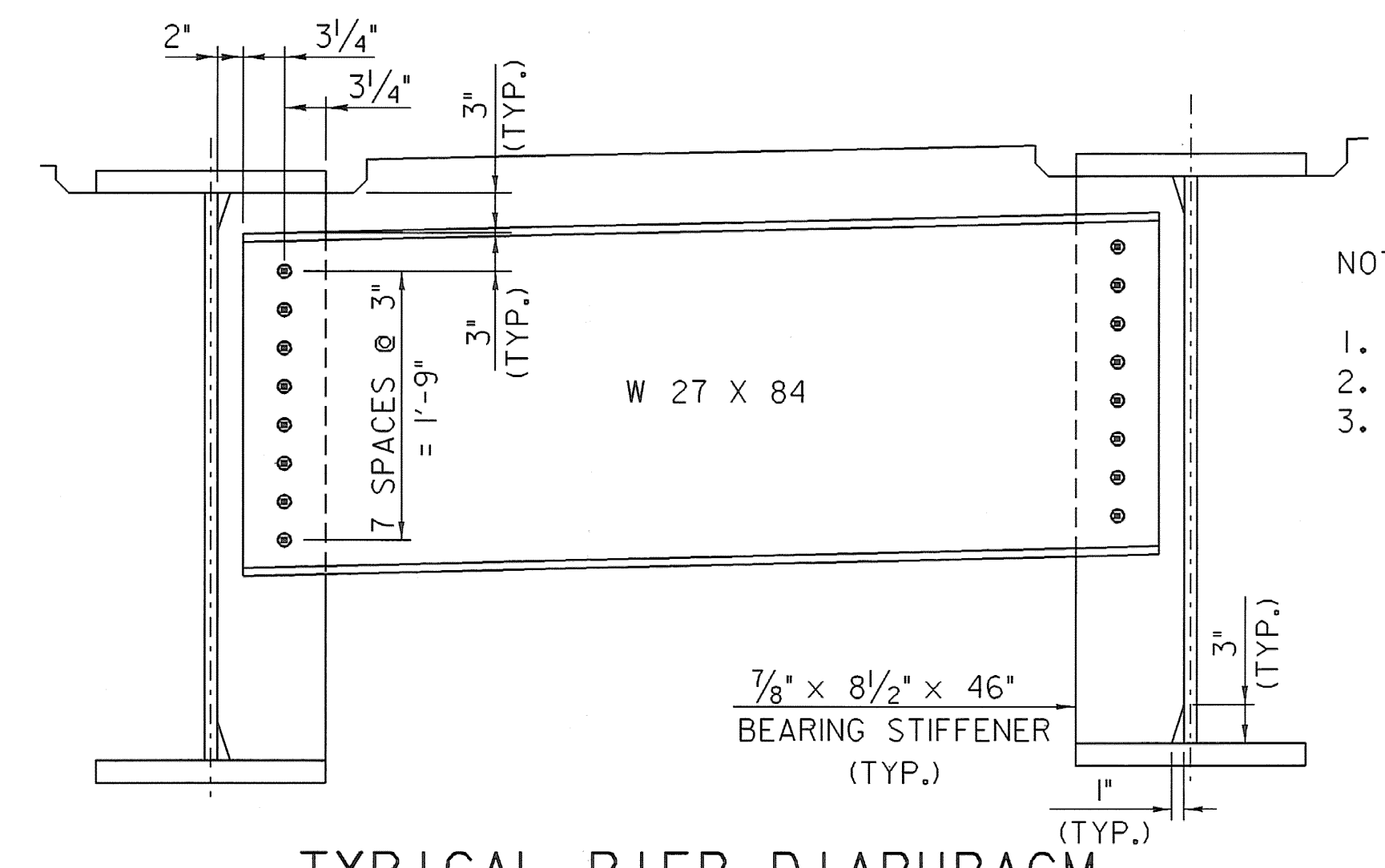
TYPICAL INTERMEDIATE DIAPHRAGM DETAIL

SCALE 1" = 1'-0"
1 9 6 3 0 1 2



TYPICAL ABUTMENT DIAPHRAGM DETAIL

SCALE 1" = 1'-0"
1 9 6 3 0 1 2



TYPICAL PIER DIAPHRAGM DETAIL

SCALE 1" = 1'-0"
1 9 6 3 0 1 2

NOTES:

1. SEE SHEET 41 FOR SPLICE DETAILS.
2. SEE SHEET 40 FOR DRIP PLATE DETAILS.
3. ALL STRUCTURAL STEEL SHALL BE UNPAINTED EXCEPT AS DESCRIBED IN PROJECT NOTES ON SHEET 37.

SHEET NAME: FRAMING PLAN		
PROJECT NAME: POWNAL	HIGHWAY NO.: TH 24	
PROJECT NUMBER: BRZ 144(I9) C/2	BRIDGE NO.: 41	OVER: HOOSIC RIVER
FILE NAME: /87e045/str/se045sup.dgn	PLOT DATE: 08-FEB-2008	
PROJECT MANAGER: R. WHITCOMB	DRAWN BY: T. FILLBACH	
DESIGNED BY: T. FILLBACH/C. CARLSON	IPARM NAME: se045sup2.i	SHEET 39 OF 108

SEE SHEET 46 FOR SHEAR CONNECTOR DETAILS

SEE NOTE #3 ON THIS SHEET