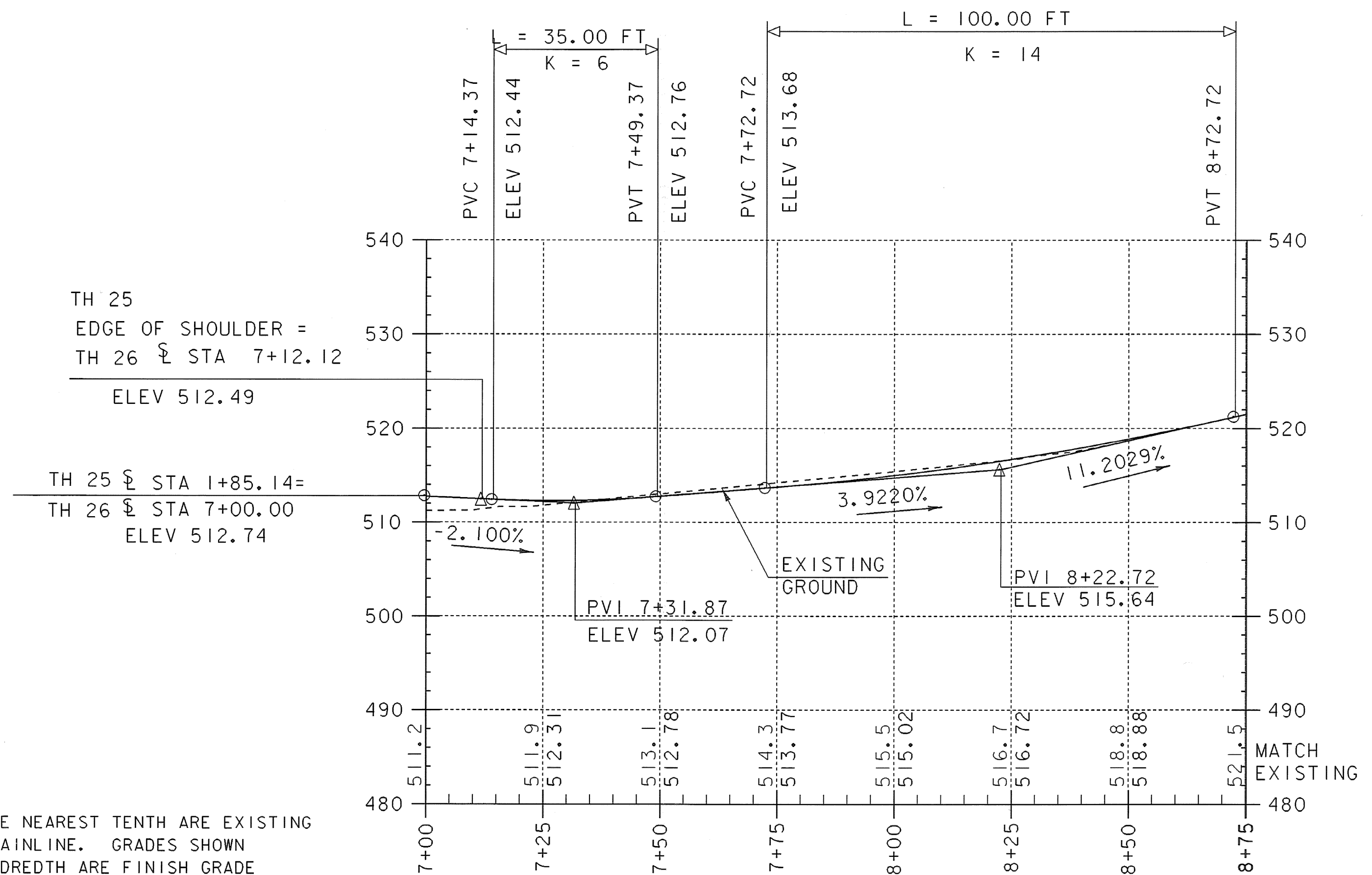
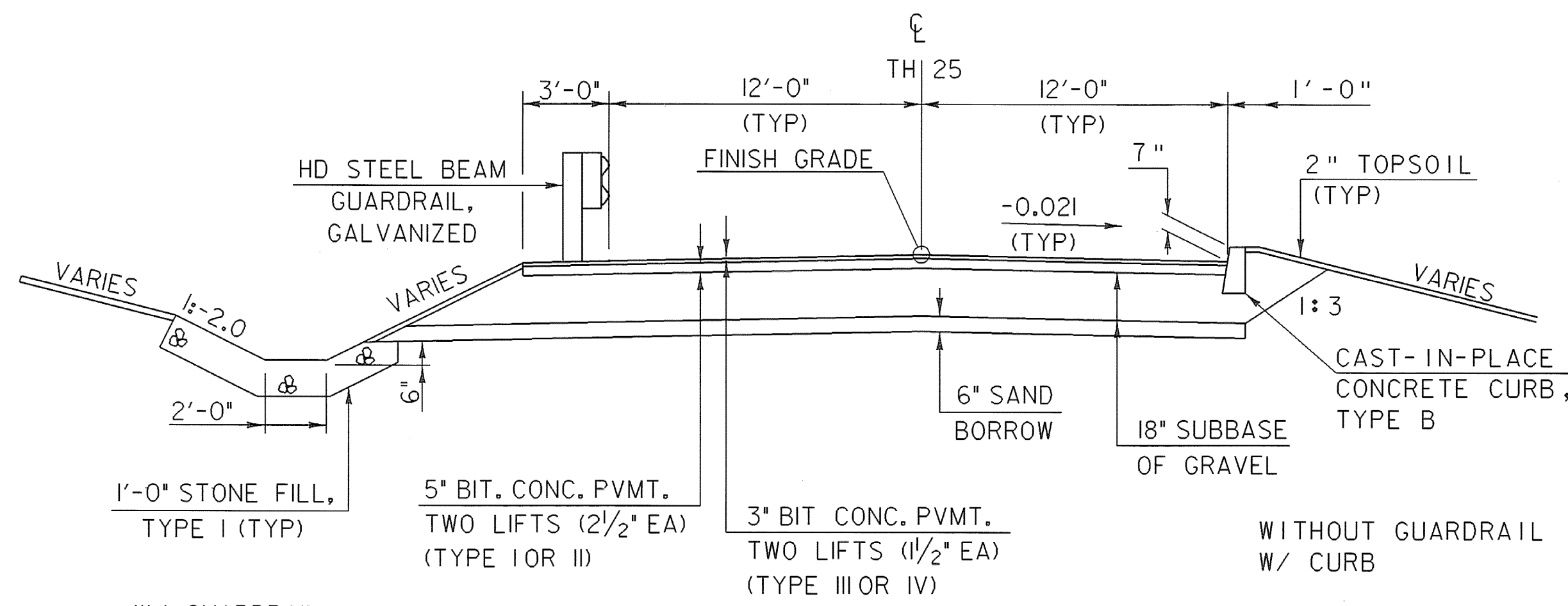
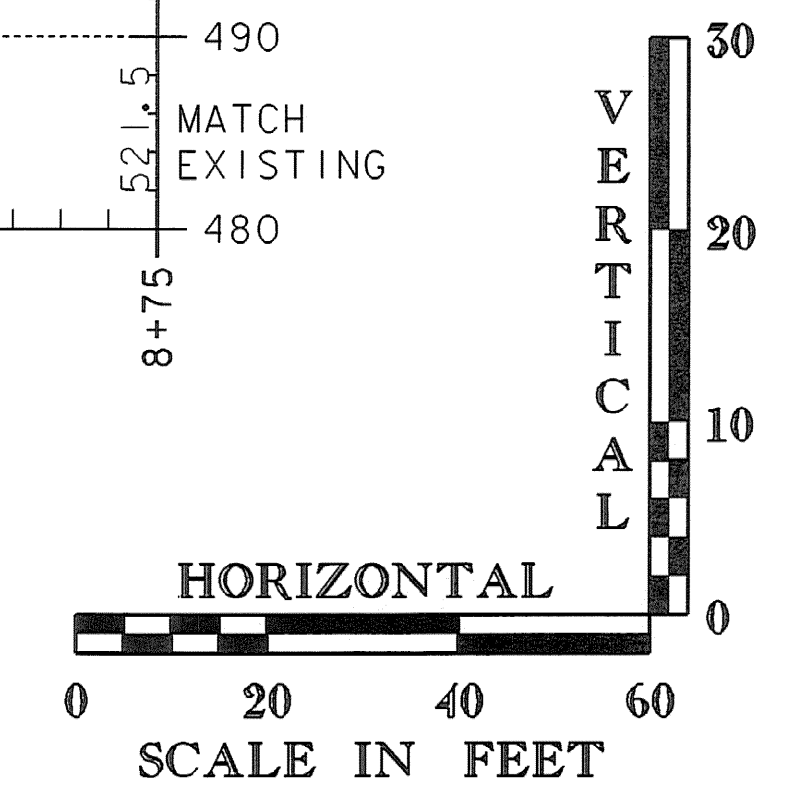


TH 25 PROFILE

GRADES SHOWN TO THE NEAREST TENTH ARE EXISTING GROUND ALONG THE MAINLINE. GRADES SHOWN TO THE NEAREST HUNDREDTH ARE FINISH GRADE ALONG THE MAINLINE.

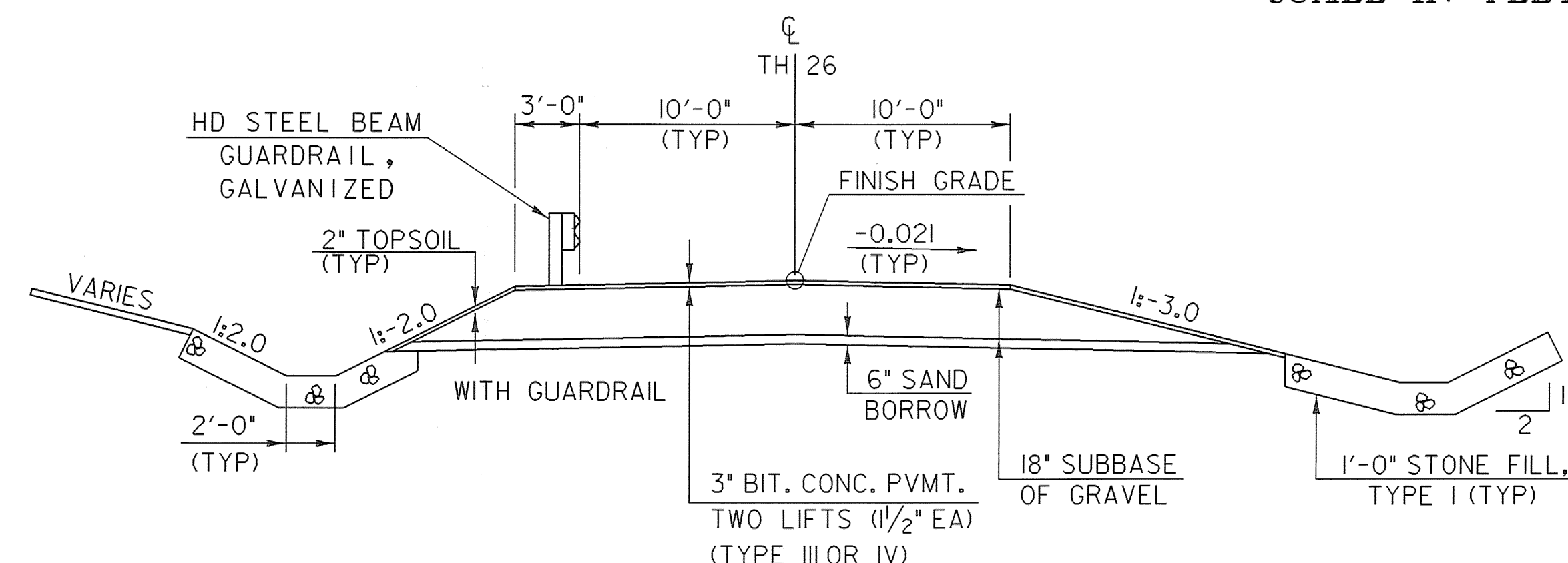


TH 26 PROFILE



TYPICAL ROADWAY SECTION FOR TH25

SIDELINE TH 25 STA 1+12 - 3+00
NTS



TYPICAL ROADWAY SECTION FOR TH26

SIDELINE TH 26 STA 7+12.12 - STA 8+75
NTS

SHEET NAME: TOWN HIGHWAY 25 AND 26 PROFILES	
PROJECT NAME: POWNAL	HIGHWAY NO.: TH 24
PROJECT NUMBER: BRZ 1441(19) C/2	BRIDGE NO.: 41
	OVER: HOOSIC RIVER
FILE NAME: 87e045/s/r/se045xs2.dgn	PLOT DATE: 08-FEB-2008
PROJECT MANAGER: R. WHITCOMB	DRAWN BY: J. GILMORE
DESIGNED BY: C. CARLSON	IPARM NAME: se045pr3.i
	SHEET 17 OF 108