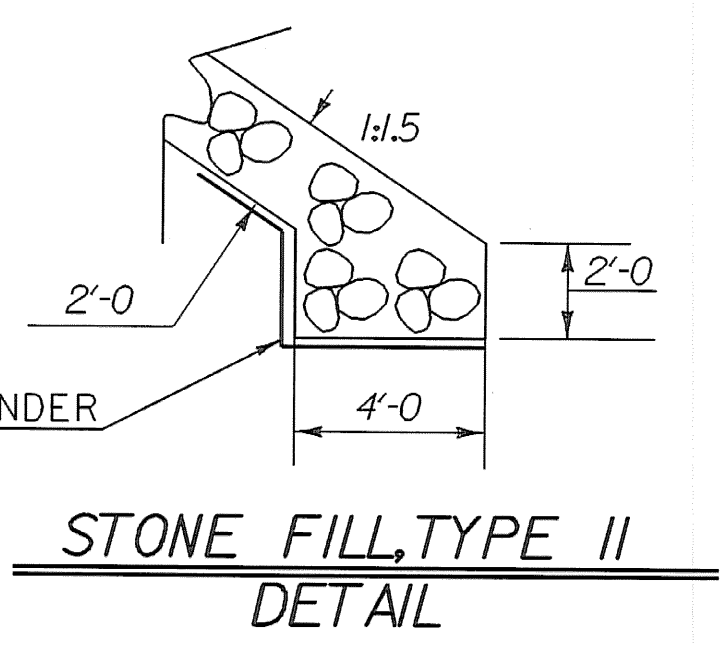


**TYPICAL BRIDGE SECTION**

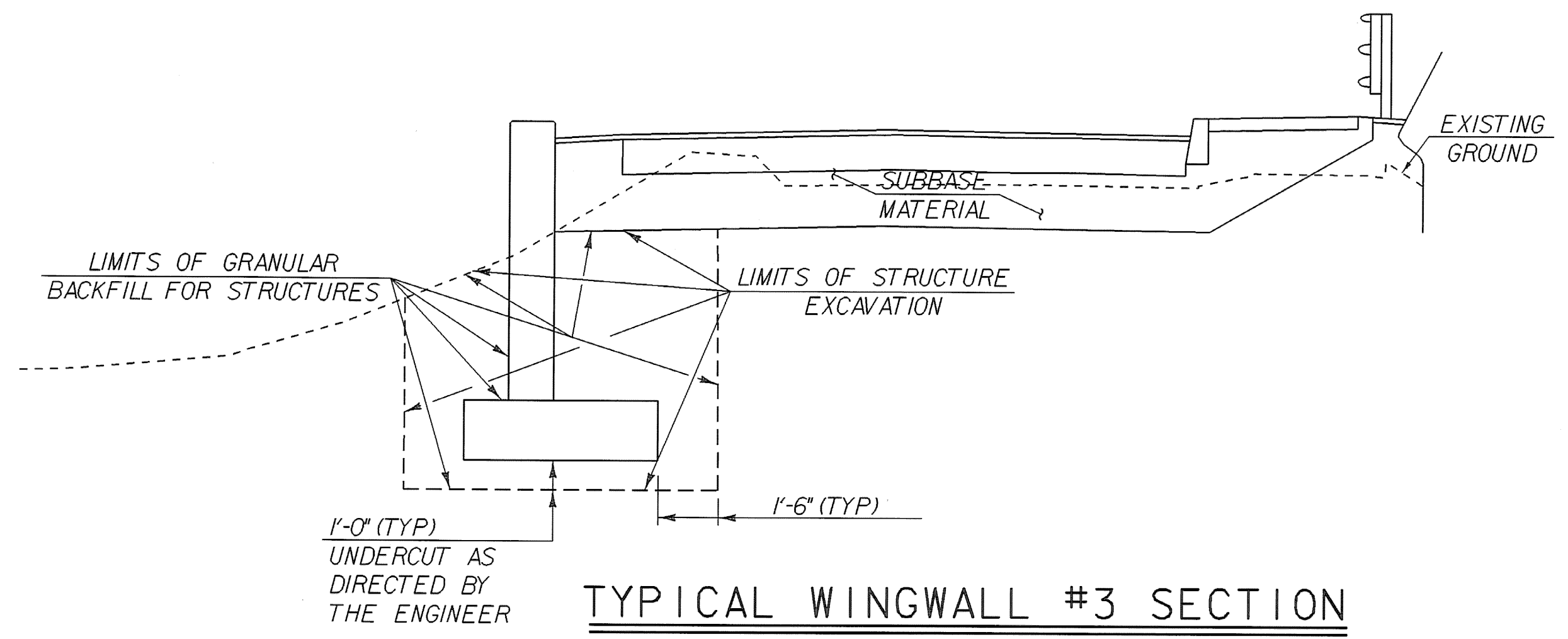
SCALE 1/4" = 1'-0"  
1 0 2 4 6

\* 2 LIFTS OF 1 1/2" BIT. CON. PAVEMENT, (TYPE III OR TYPE IV)

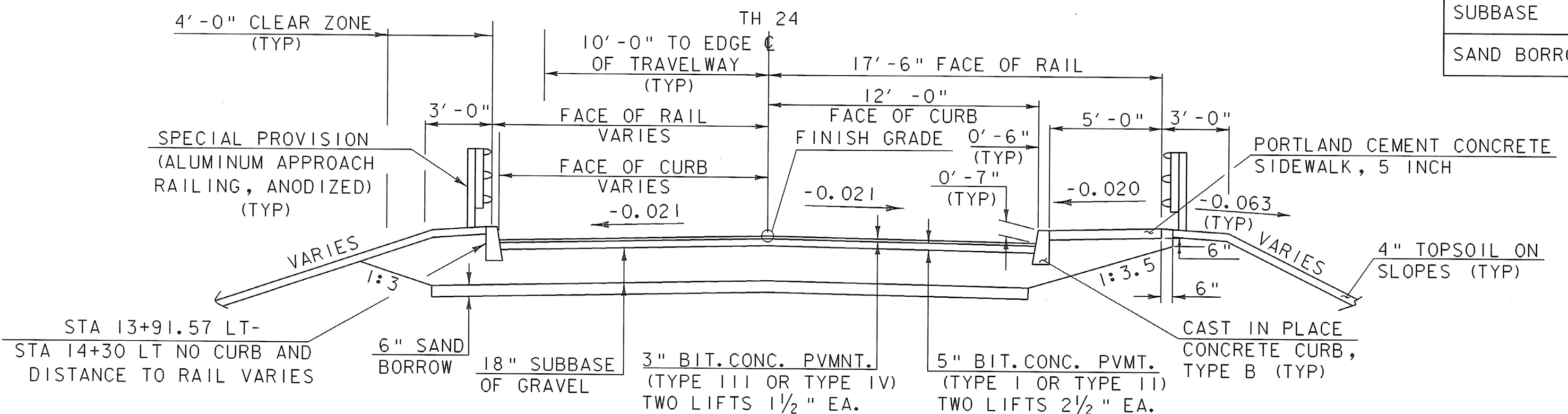


**STONE FILL, TYPE II DETAIL**

MATERIAL ITEM	TOLERANCE
PAVEMENT	± 1/4" TOTAL THICKNESS
BASE COURSE	± 1/2"
SUBBASE	± 1"
SAND BORROW	± 1"



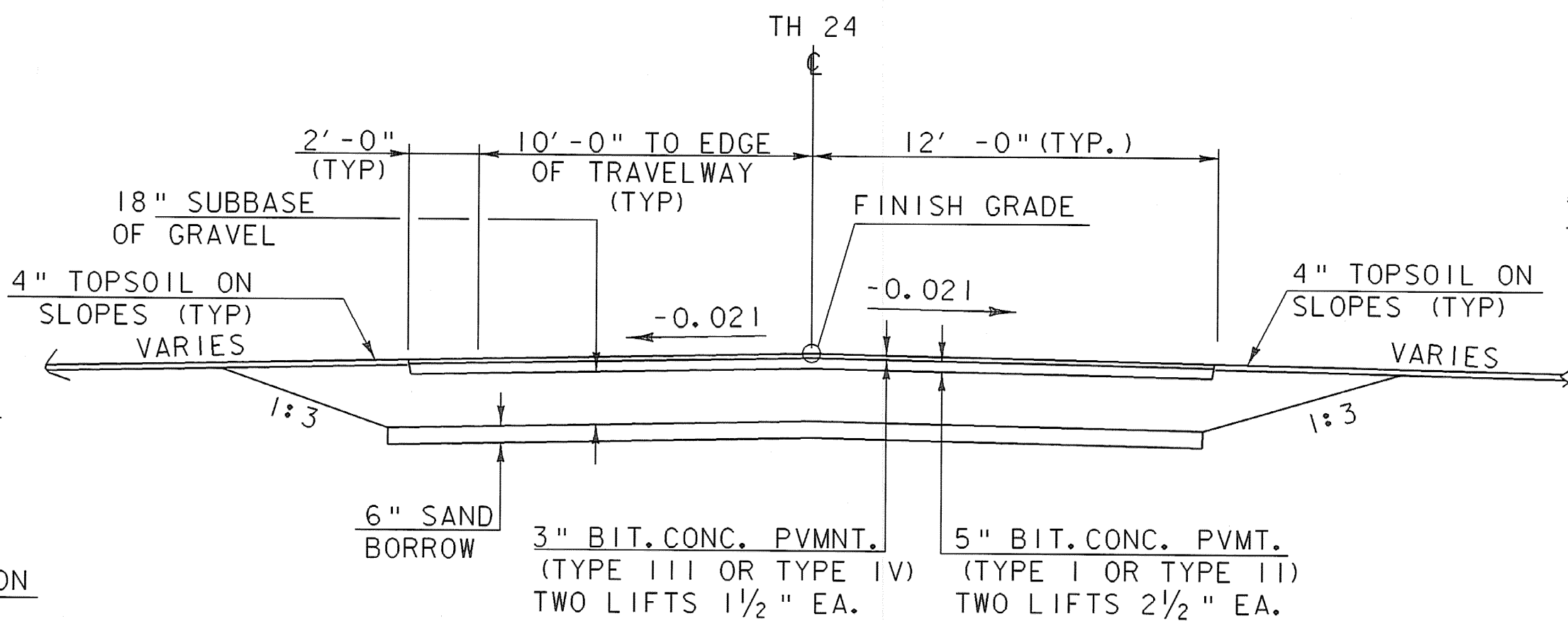
**TYPICAL WINGWALL #3 SECTION (WW #4 SIMILAR)**  
(NOT TO SCALE)



**ROADWAY SECTION W/ GUARDRAIL**

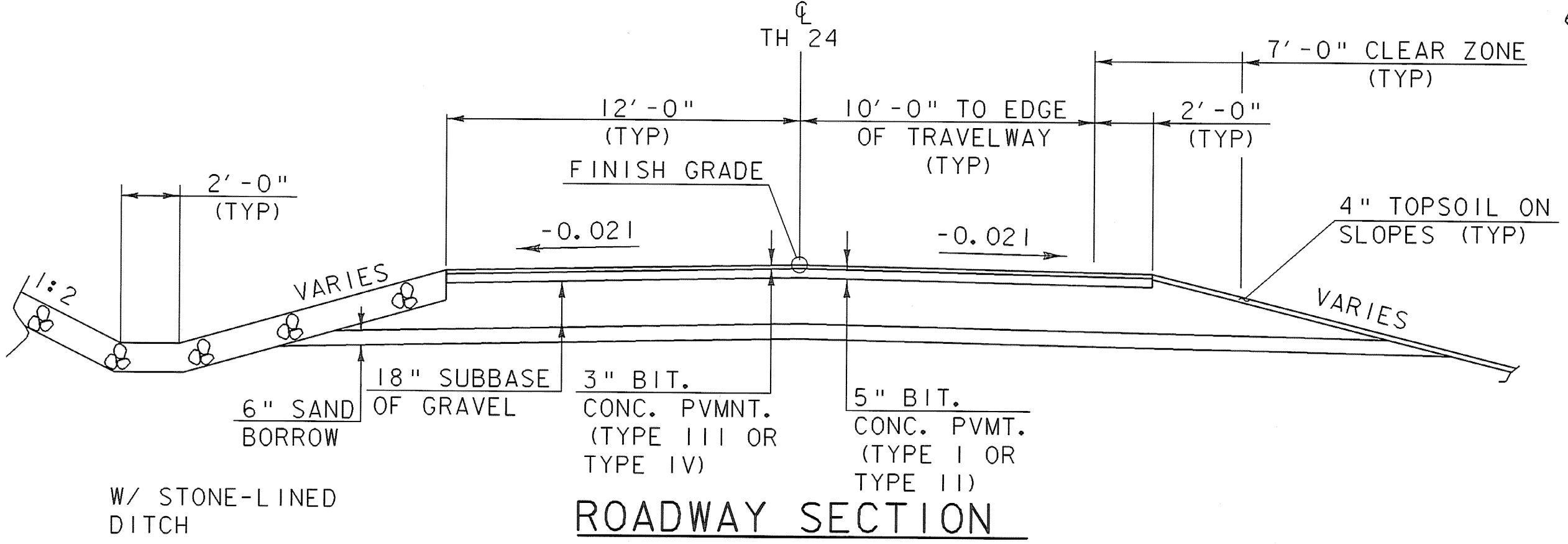
(STA 10+85 RT (+/-) - STA 11+57 RT)  
(STA 11+25 LT +/- - STA 11+57 LT)  
(STA 13+91.57 - STA 14+30)

SCALE 1/4" = 1'-0"  
1 0 2 4 6



**ROADWAY SECTION W/OUT GUARDRAIL**

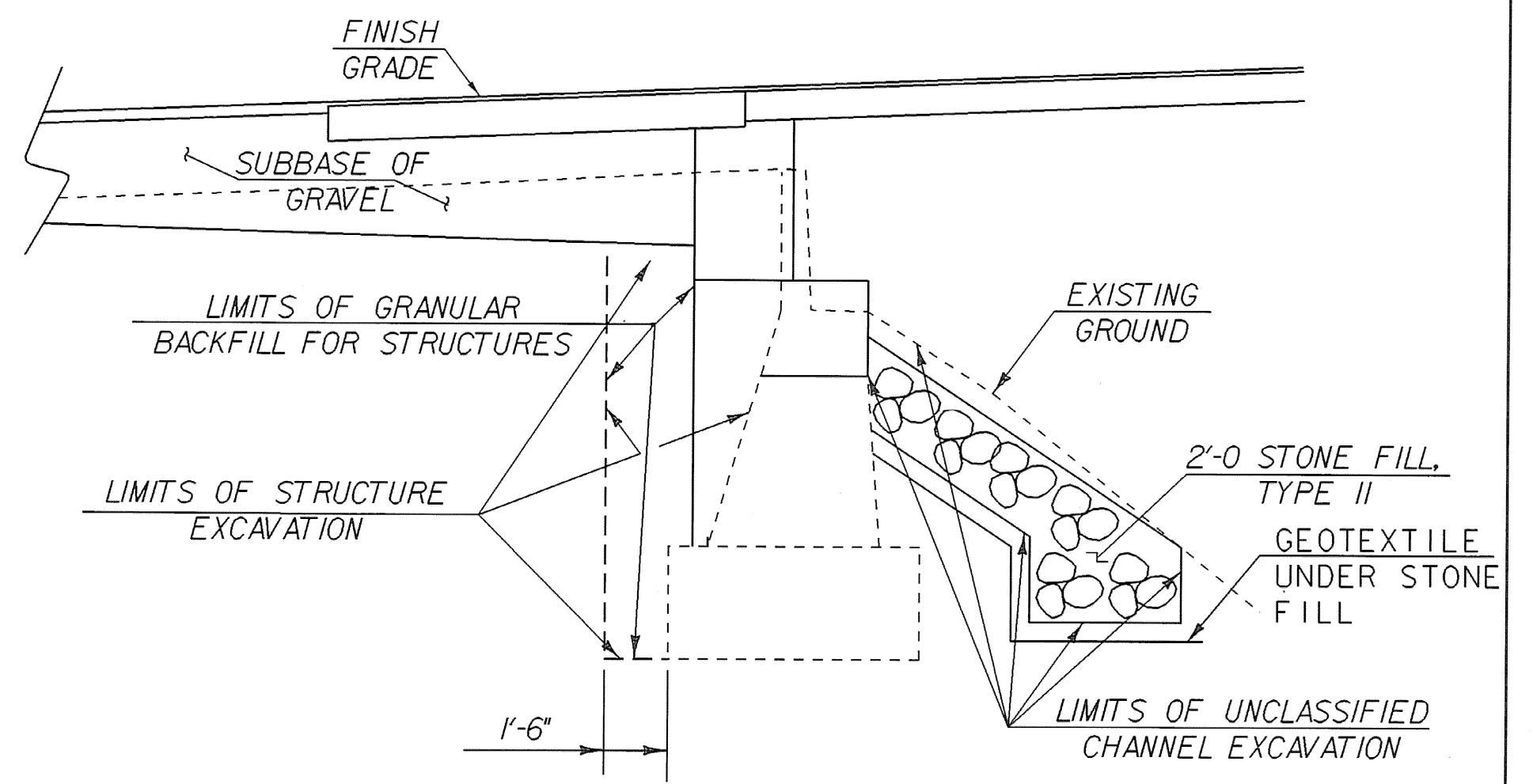
(STA 14+30 - STA 16+77)  
SCALE 1/4" = 1'-0"  
1 0 2 4 6



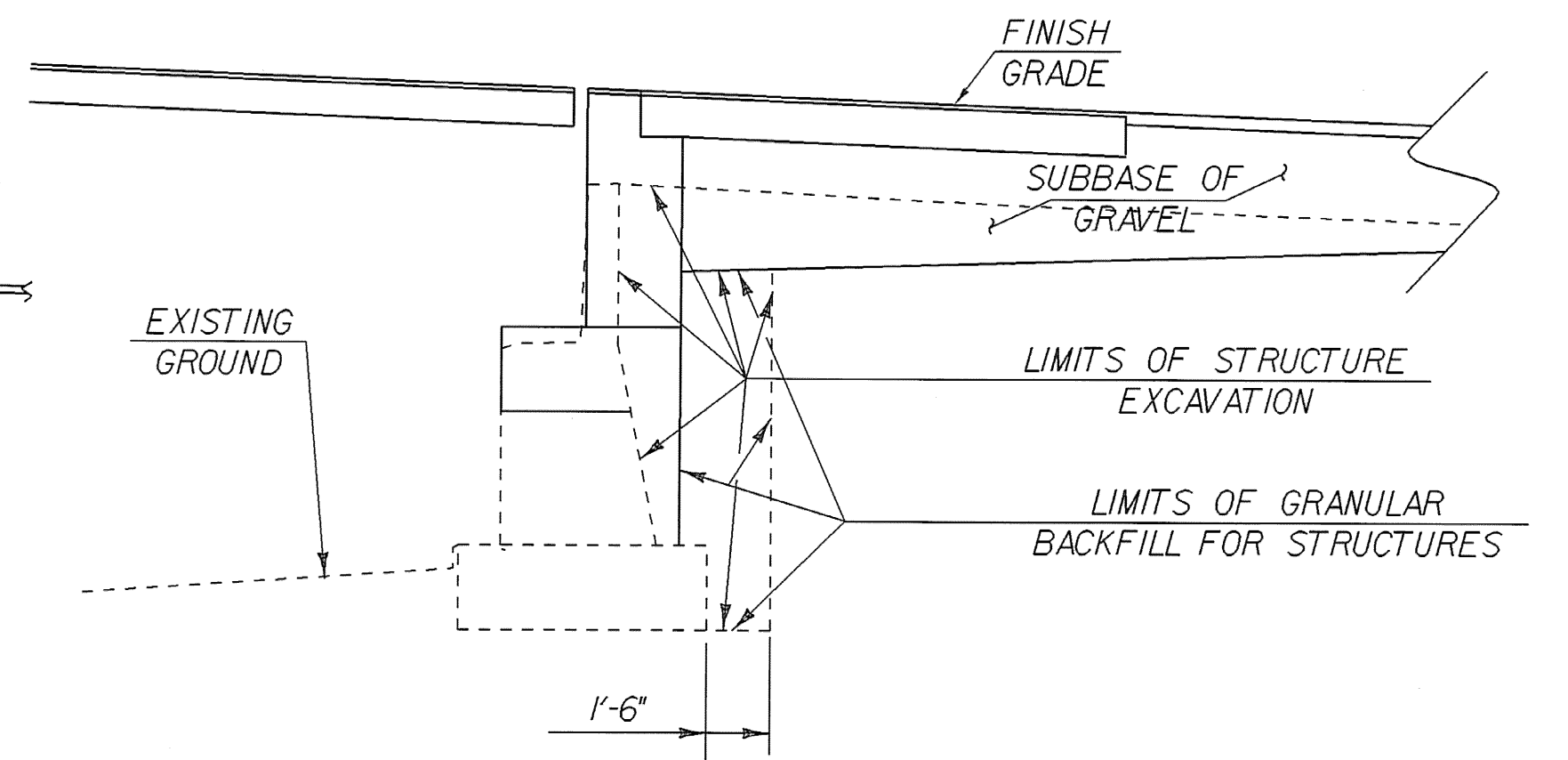
**ROADWAY SECTION**

(STA 8+75 - STA 10+85 +/-)

SCALE 1/4" = 1'-0"  
1 0 2 4 6



**TYPICAL ABUTMENT NO. 1 SECTION**  
(NOT TO SCALE)



**TYPICAL ABUTMENT NO. 2 SECTION**  
(NOT TO SCALE)

**TYPICAL SHEET**

PROJECT NAME: POWNAL	PLOT DATE: 29-FEB-2008
PROJECT NUMBER: BRZ 144I(19) C/2	DRAWN BY: str3
FILE NAME: /PW/87e045/se045+yp.dgn	CHECKED BY: C. Carlson
PROJECT LEADER: R. Whitcomb	SHEET 3 OF 108
DESIGNED BY: C. Carlson	

\*SEE SHEET 17 FOR TYPICAL SECTIONS FOR TH25 AND TH26  
\*SEE SHEET 16 FOR TYPICAL SECTION FOR WWTF ROAD ALONG RAILROAD TRACKS