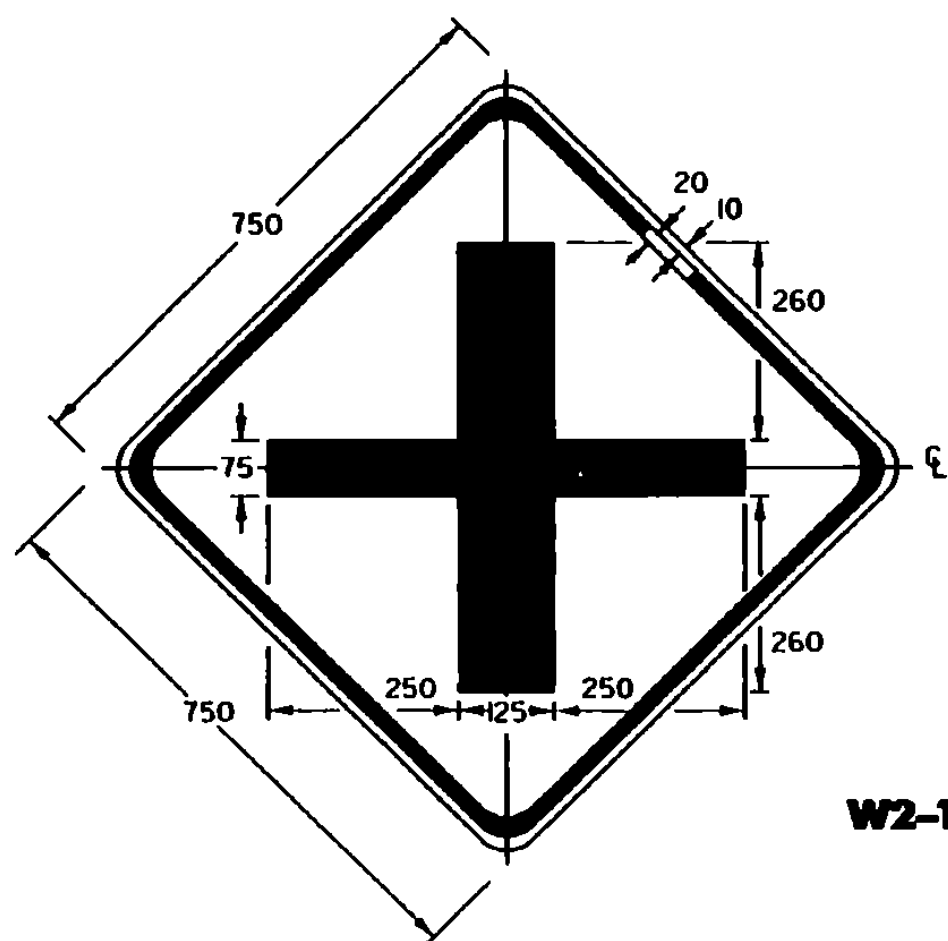
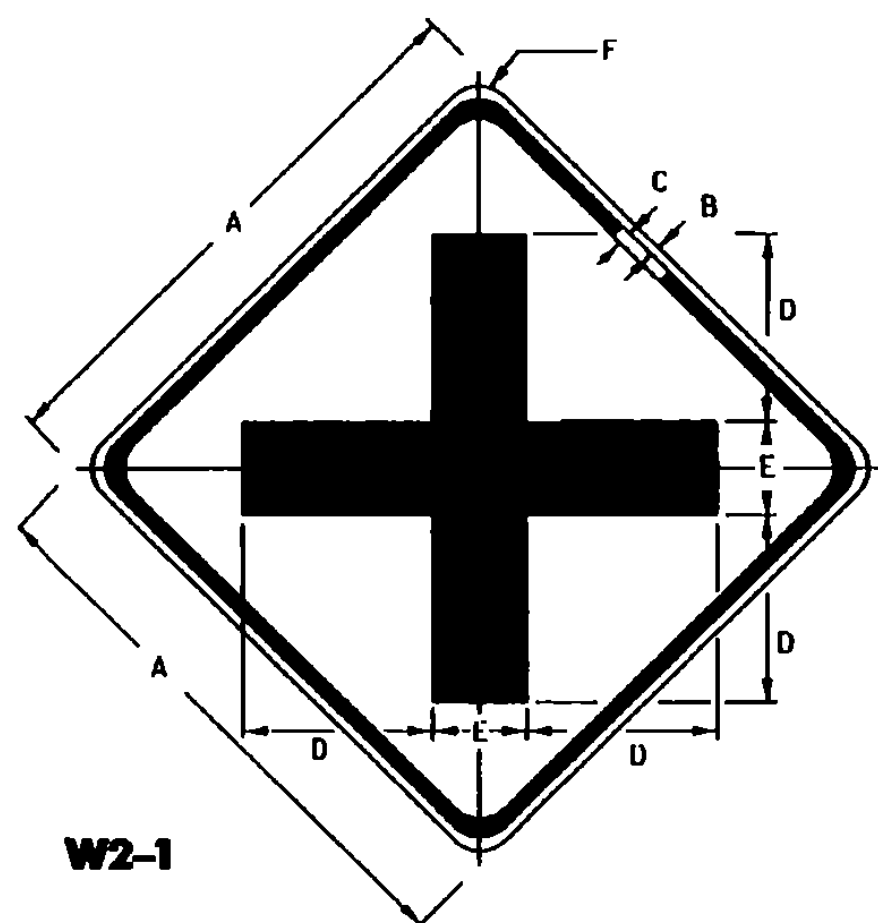


W2-2M

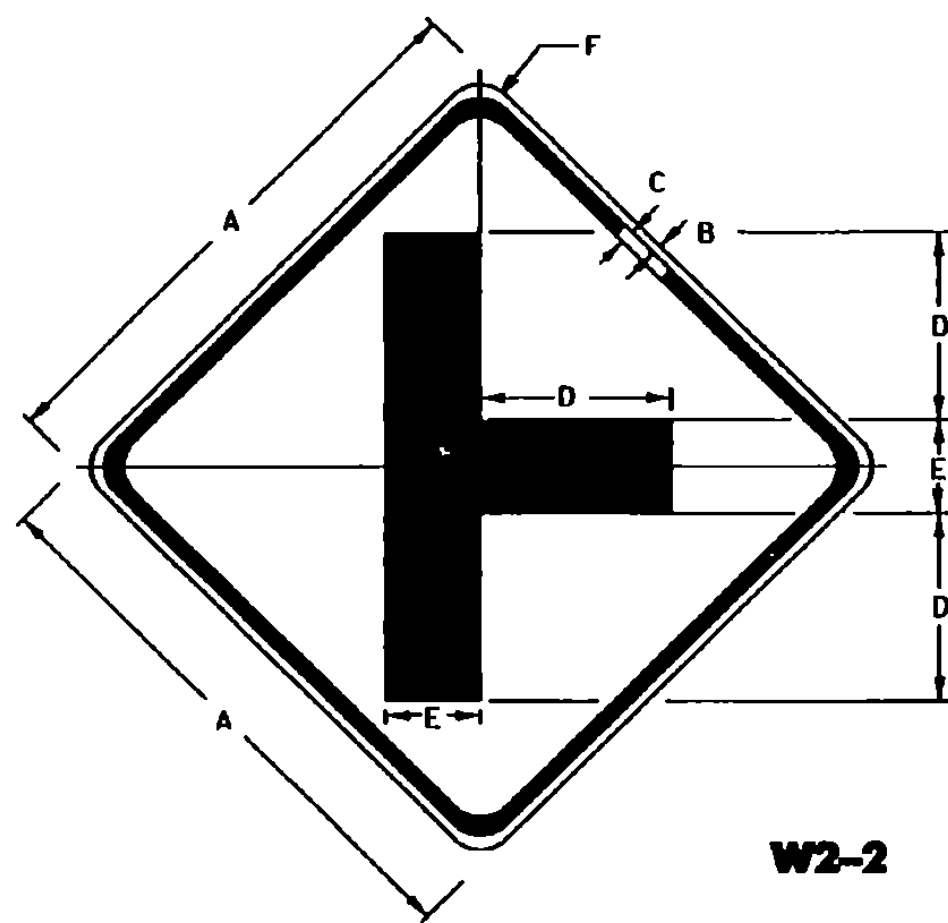


W2-1M

STATE ROUTE /TOWN HIGHWAY INTERSECTION SIGNS (TYP.)



W2-1

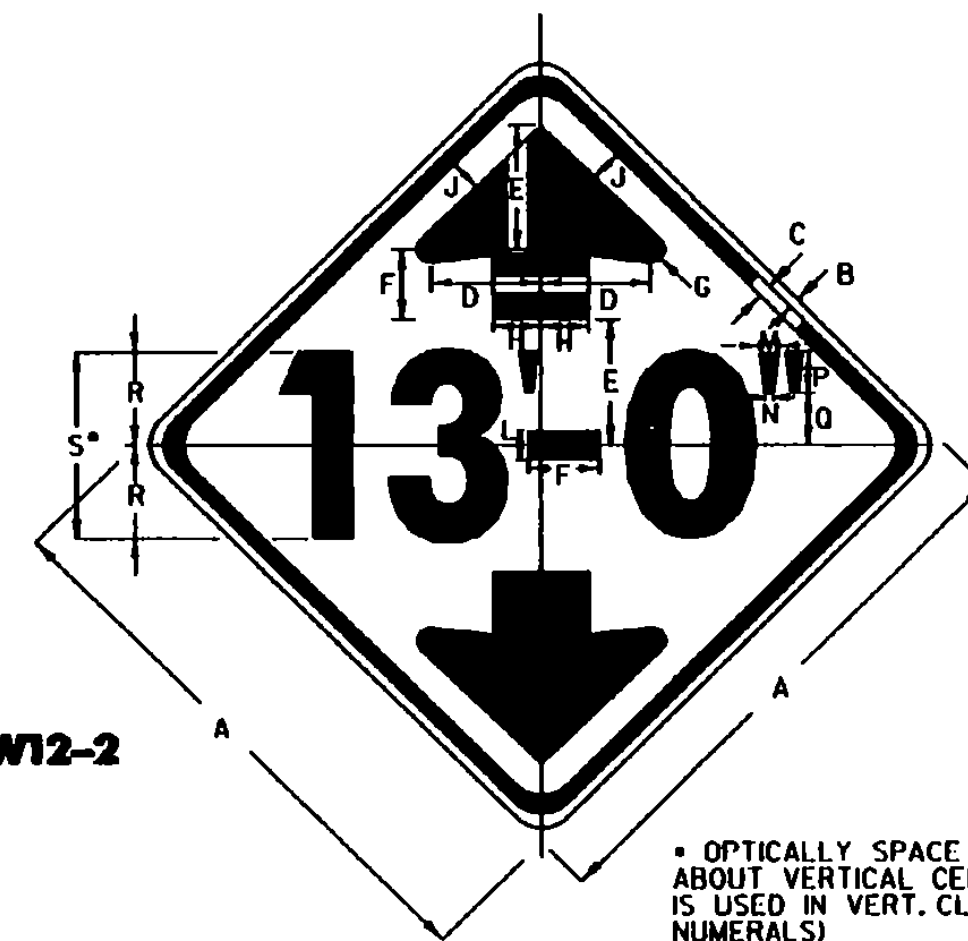


W2-2

SIGN	DIMENSIONS (mm)					
	A	B	C	D	E	F
BIKE	450	10	15	150	75	35
MIN.	600	10	15	200	100	35
STD.	750	10	20	250	125	45
EXPWY.	900	15	20	300	150	55
SPECIAL	1200	20	30	400	200	75

SIGN	DIMENSIONS (mm)					
	A	B	C	D	E	F
BIKE	450	10	15	150	75	35
MIN.	600	10	15	200	100	35
STD.	750	10	20	250	125	45
EXPWY.	900	15	20	300	150	55
SPECIAL	1200	20	30	400	200	75

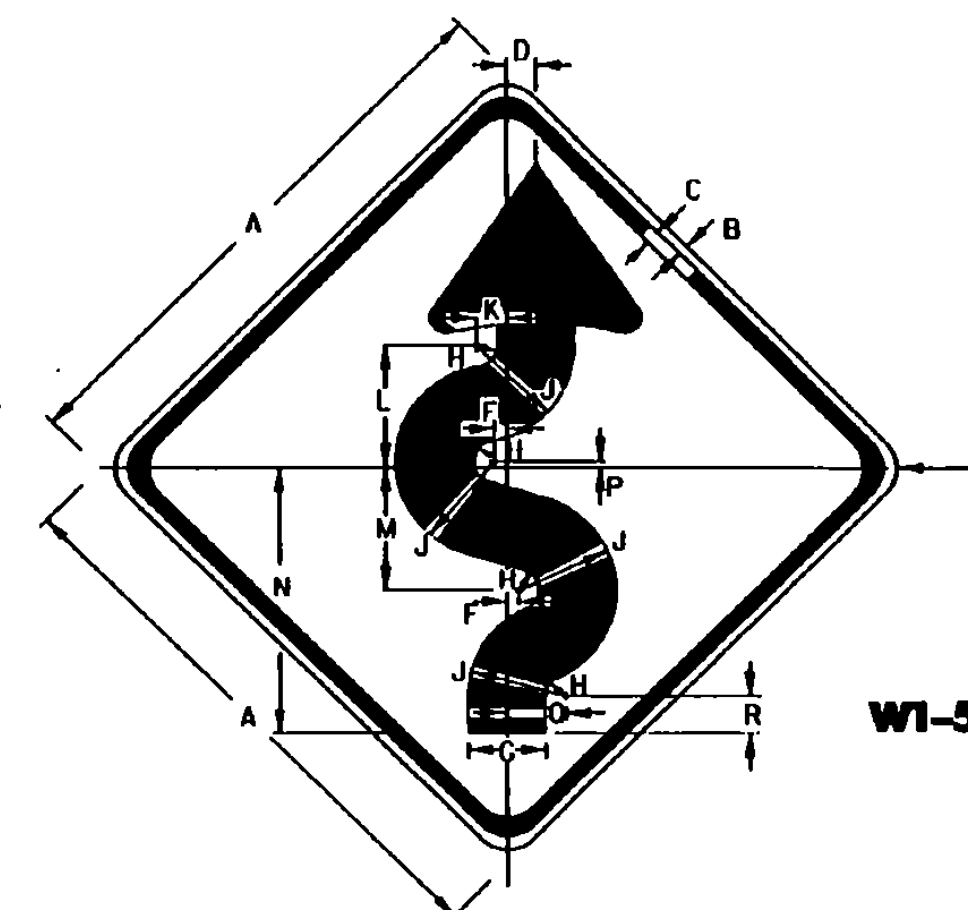
STATE ROUTE /STATE ROUTE INTERSECTION SIGNS (TYP.)



W12-2

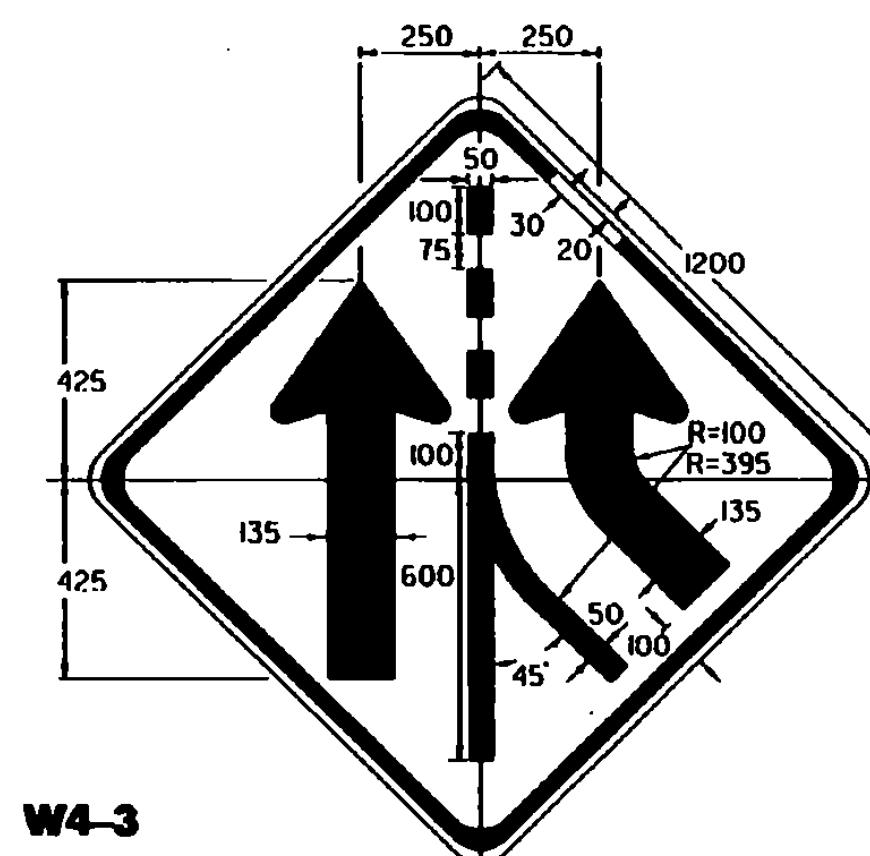
\* OPTICALLY SPACE VERTICAL CLEARANCE ABOUT VERTICAL CENTERLINE (WHERE 250 mm IS USED IN VERT. CLEARANCE, USE SERIES C NUMERALS)

SIGN	DIMENSIONS (mm)																
	A	B	C	D	E	F	G	H	J	K	L	M	N	P	O	R	S
MIN.	750	10	20	145	165	95	20	60	40	45	40	25	10	55	85	125	2500
STD. & EXPWY.	900	15	20	170	200	110	25	75	50	55	45	30	10	70	100	150	3000
F.WY.	1200	20	30	230	265	145	35	100	65	75	60	40	15	90	135	200	4000

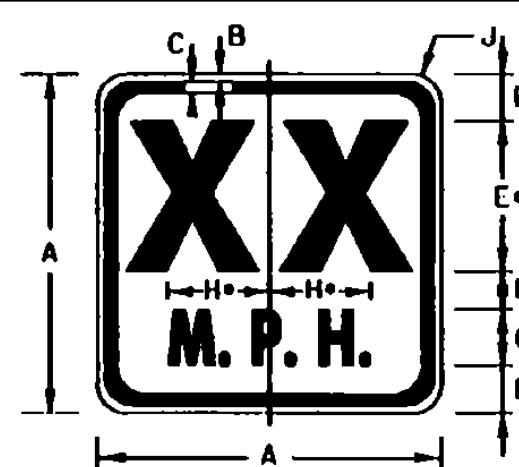


W1-SR

SIGN	DIMENSIONS (mm)																
	A	B	C	D	E	F	G	H	J	K	L	M	N	P	O	R	S
BIKE	450	10	10	25	240	10	60	15	75	20	96	100	215	6	45	34	35
MIN.	600	10	10	30	320	10	80	25	105	35	135	130	285	6	65	41	35
STD.	750	10	20	40	400	15	100	30	130	40	167	165	355	8	80	47	45
EXPWY.	900	15	20	45	480	20	120	35	135	50	198	195	425	9	95	59	55
SPECIAL	1200	20	25	60	635	25	160	45	205	65	262	260	570	13	125	86	75



W4-3



W13-1

SIGN	DIMENSIONS (mm)								
	A	B	C	D	E	F	G	H	J
STD.	450	10	15	60	200E	55	75E	135	35
SPECIAL	600	10	15	90	250E	70	100E	180	35

\* INCREASE SPACING 100%  
 \*\* OPTICALLY SPACE NUMERALS ABOUT VERTICAL CENTERLINE

**COLORS:**

ALL THE WARNING SIGNS SHOWN ON THIS SHEET SHALL HAVE BLACK TEXT AND SYMBOLS ON REFLECTORIZED YELLOW BACKGROUND EXCEPT AS OTHERWISE NOTED. THE COLORS SHALL CONFORM WITH THE COLORS ADOPTED BY AASHTO AND APPROVED BY THE FHWA.

**MATERIALS:**

THE SIGN BASE MATERIALS USED FOR THE WARNING SIGNS SHOWN ON THIS SHEET MAY BE ANY OF THE FOLLOWING MINIMUM THICKNESSES NOTED:

	FLAT SHEET ALUMINUM		HIGH DENSITY OVERLAID PLYWOOD		GALVANIZED FLAT SHEET STEEL	
	MIN.	MAX.	MIN.	MAX.	MIN.	MAX.
450 X 450	1.52 mm	13 mm	13 mm	1.32 mm	1.32 mm	1.32 mm
600 X 600, 750 X 750	2.03 mm	13 mm	13 mm	1.63 mm	1.63 mm	1.63 mm
900 X 900	2.54 mm	16 mm	16 mm	2.01 mm	2.01 mm	2.01 mm
1200 X 1200	3.18 mm	16 mm	16 mm	2.77 mm	2.77 mm	2.77 mm

THE TEXT, BORDER AND SYMBOLS SHALL BE LETTERING FILM, SILK SCREENED OR HAND PAINTED. IF HAND PAINTED, POOR WORKMANSHIP SHALL BE CAUSE FOR REJECTION. THE REFLECTIVE MATERIAL SHALL BE REFLECTIVE SHEETING APPLIED TO THE ENTIRE BACKGROUND OF THE SIGN. ENCAPSULATED LENS REFLECTIVE SHEETING SHALL BE USED FOR THE SIGN BACKGROUND WHERE NOTED.

**TEXT:**

LETTERS, DIGITS, SYMBOLS, SPACINGS AND TEXT DIMENSIONS SHALL CONFORM TO THE LATEST VERSION OF FHWA'S 'STANDARD ALPHABETS FOR HIGHWAY SIGNS AND PAVEMENT MARKINGS'. DESIGNS SHALL CONFORM WITH THOSE PRESCRIBED IN THE MUTCD. SEE STANDARD SHEET E-150M FOR ARROWHEAD DETAILS.

**SPECIFICATIONS:**

WARNING SIGNS SHALL MEET THE VERMONT STANDARD SPECIFICATIONS FOR 'TRAFFIC SIGNS' AS PRESCRIBED IN THE VDOT STANDARD SPECIFICATIONS FOR CONSTRUCTION.

**OTHER STDS. E-150M REQUIRED:**

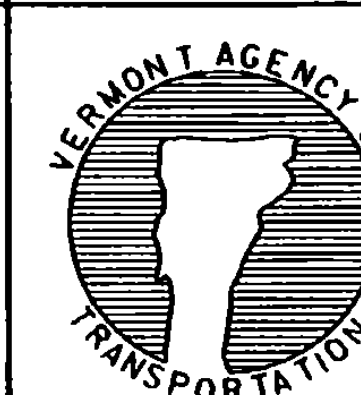
NOTE: ALL DIMENSIONS ARE IN MILLIMETERS (mm) EXCEPT WHERE NOTED.

REVISIONS AND CORRECTIONS  
 JUNE 13, 1997 - ORIGINAL APPROVAL DATE

APPROVED

*Richard E. ...*  
 DIRECTOR OF ENGINEERING  
*Stephen D. ...*  
 DIRECTOR OF CONSTRUCTION AND MAINTENANCE

WARNING SIGN  
 DETAILS



**Metric**  
 STANDARD  
 E-155 M