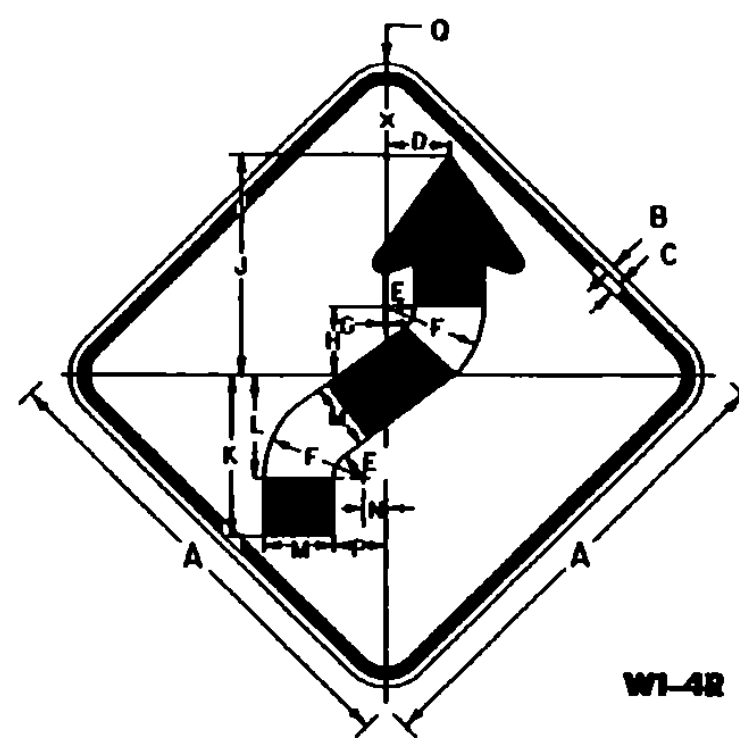
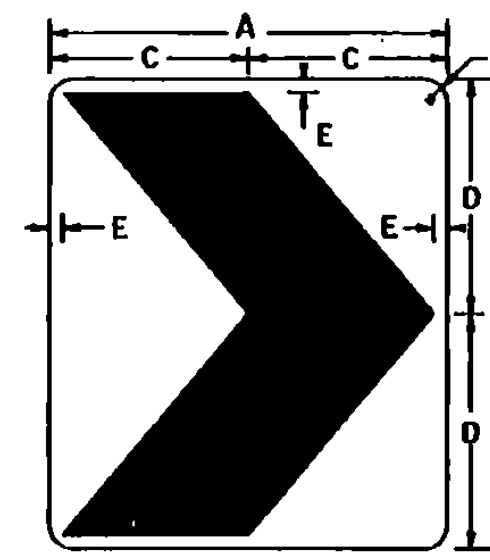


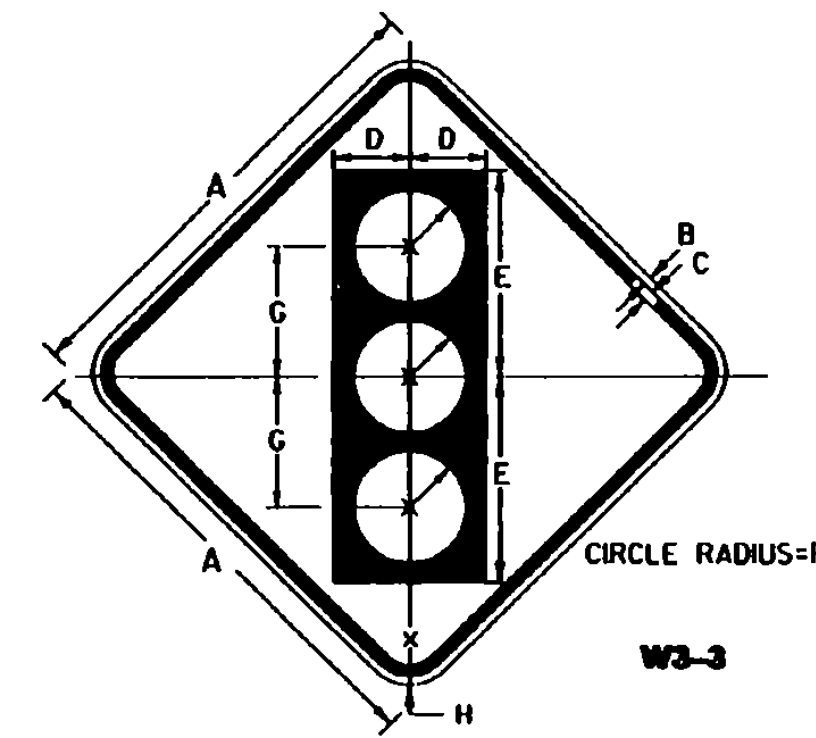
SIGN	DIMENSIONS (mm)											
	A	B	C	D	E	F	G	H	J	K	L	M
STD. & MIN.	900	15	20	435	105	130	30	90	110	310	40	55
SPECIAL	1200	20	30	580	140	175	40	120	150	415	55	75



SIGN	DIMENSIONS (mm)														
	A	B	C	D	E	F	G	H	J	K	L	M	N	P	O
STD. & MIN.	900	15	20	86	55	185	4	130	420	30	195	130	45	100	55
SPECIAL	1200	20	30	157	75	250	5.5	175	560	40	260	175	55	130	75



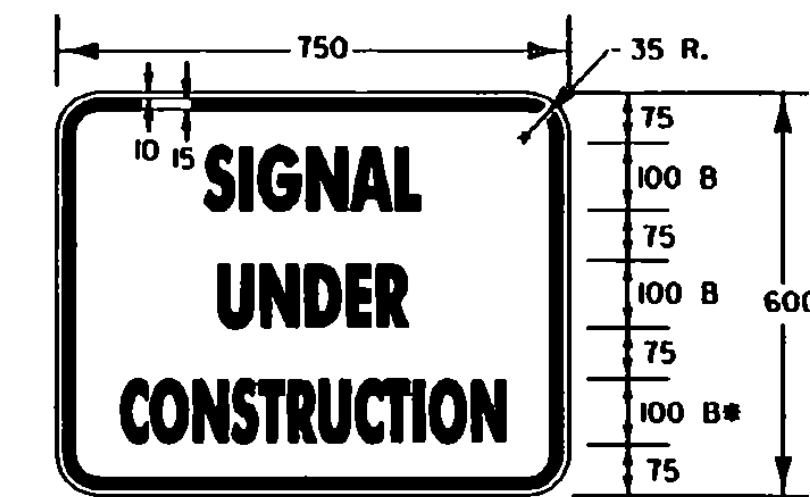
SIGN	DIMENSIONS (mm)					
	A	B	C	D	E	F
STD.	450	600	225	300	20	35
SPECIAL	600	750	300	375	20	35
EXPT. FRWY.	750	900	375	450	25	45
FRWY.	900	1200	450	600	30	55



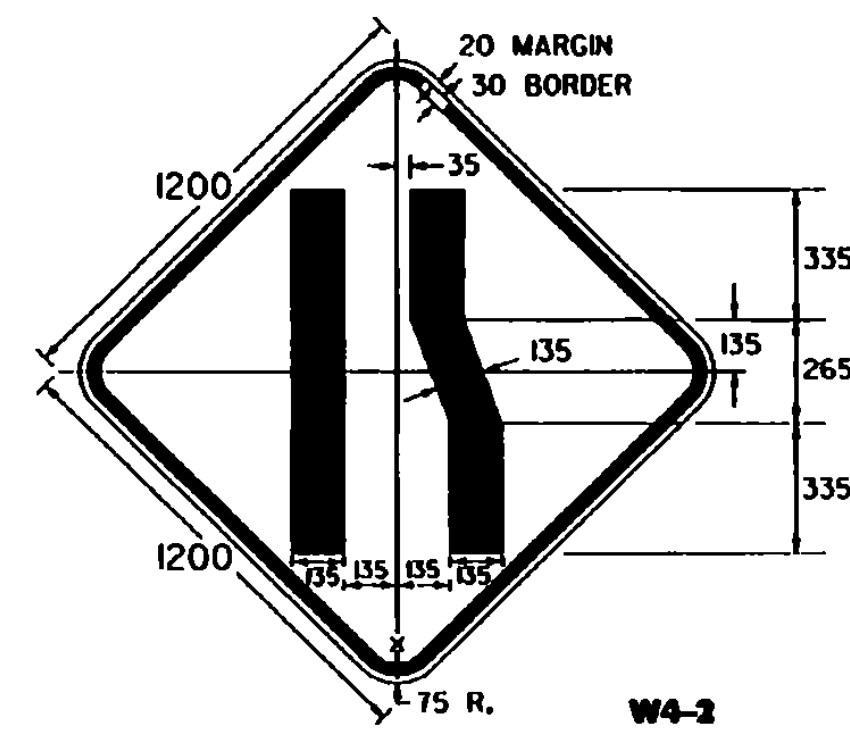
SIGN	DIMENSIONS (mm)							
	A	B	C	D	E	F	G	H
STD. & MIN.	900	15	20	145	395	105	250	55
SPECIAL	1200	20	30	190	500	125	315	75

COLORS

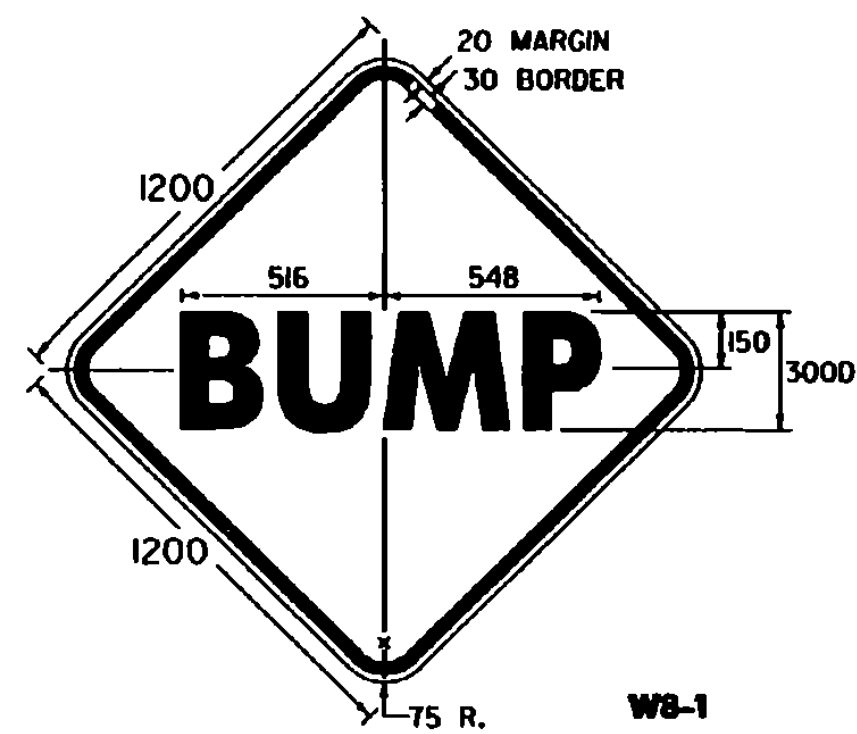
SYMBOL & LEGEND - BLACK (NON-REFL)
BACKGROUND - ORANGE (REFL)
TOP CIRCLE - RED (REFL)
MIDDLE CIRCLE - YELLOW (REFL)
BOTTOM CIRCLE - GREEN (REFL)



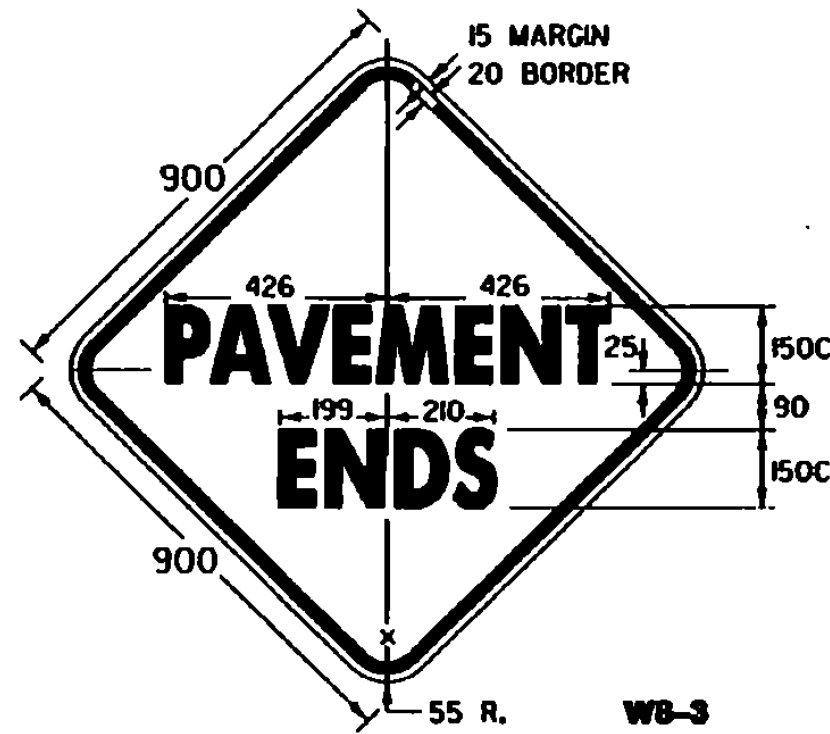
* REDUCE SPACING 50%



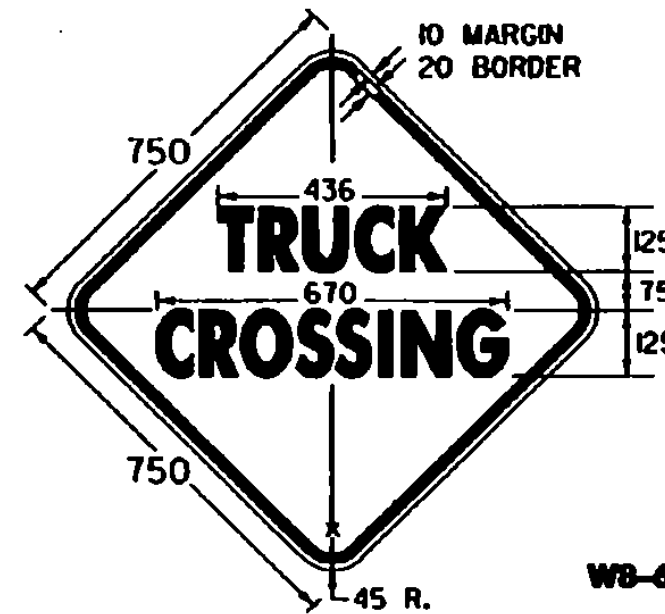
W4-2



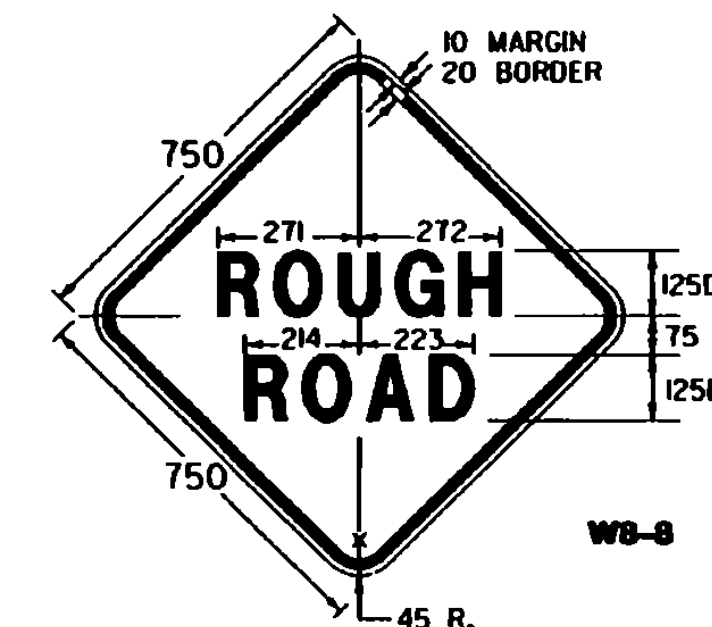
WB-1



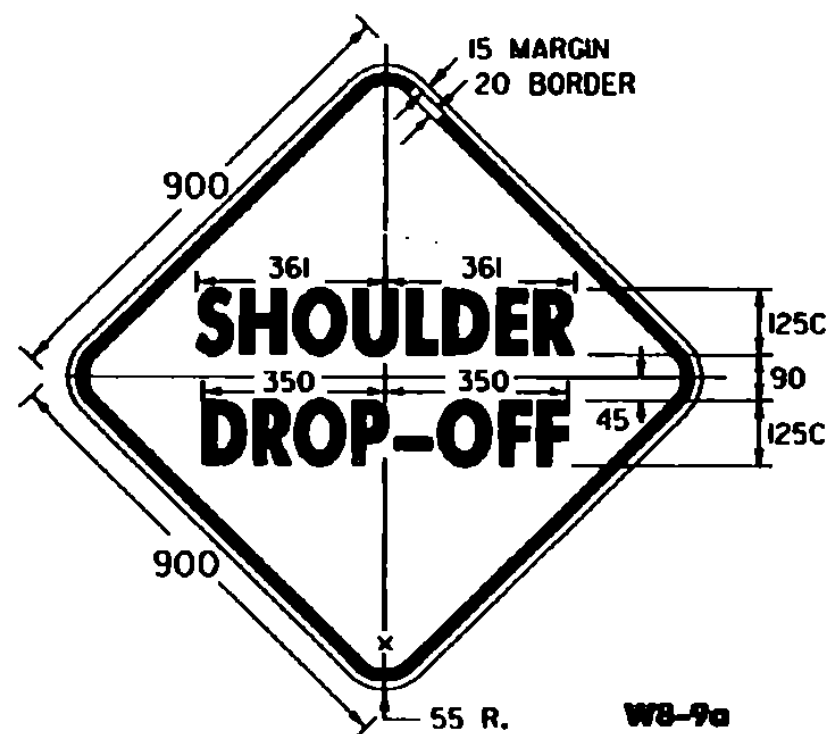
WB-3



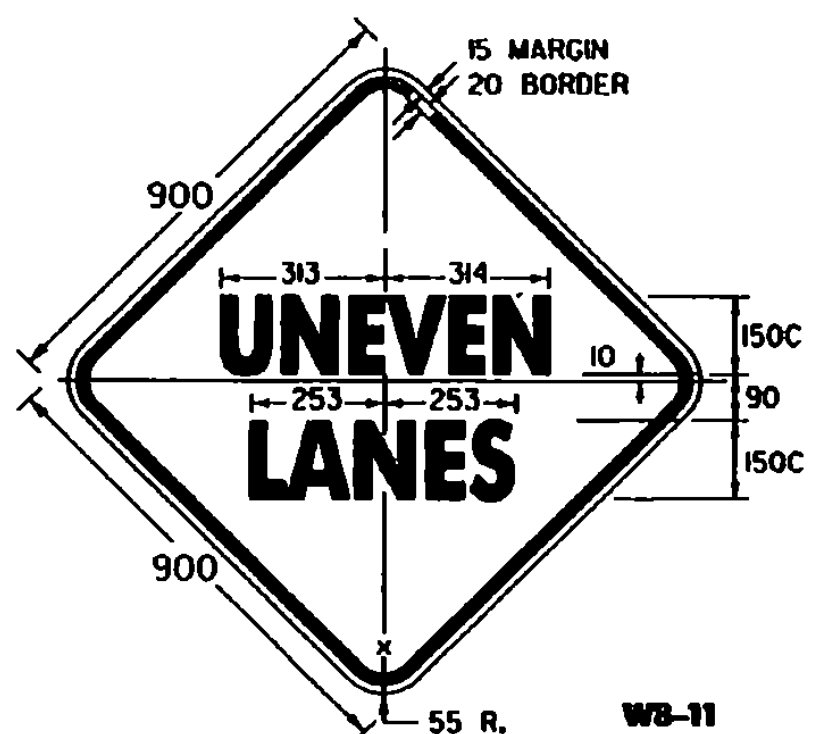
WB-6



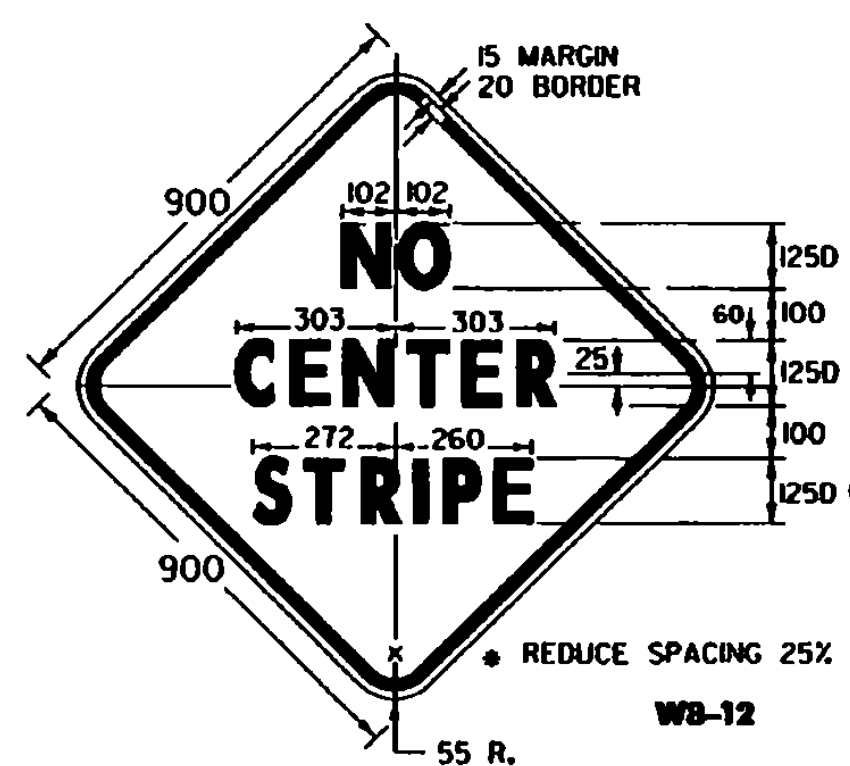
WB-8



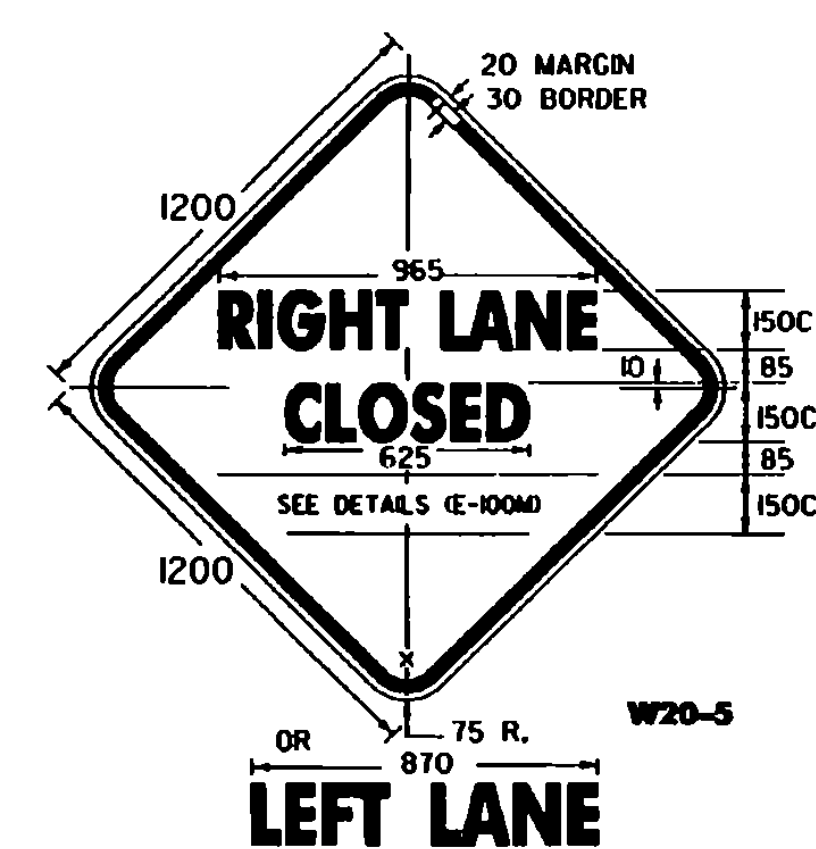
WB-9a



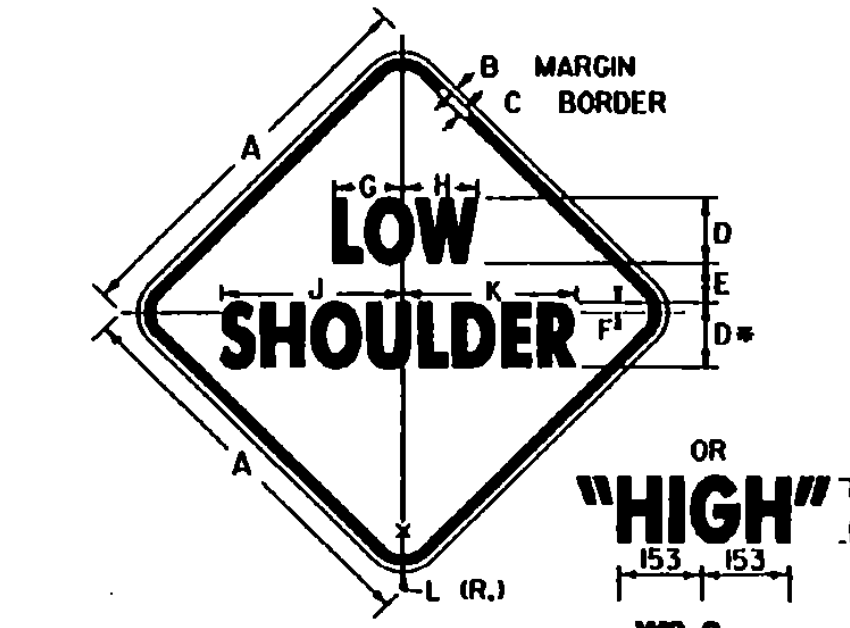
WB-11



WB-12



W20-5



WB-9

SIGN	DIMENSIONS (INCHES)										
	A	B	C	D	E	F	G	H	J	K	L
STD.	150	10	20	125C	75	20	13	143	348	39	45
FRWY.	1200	20	30	200C	125	30	20	229	556	532	75

NOTES

SEE STANDARD SHEET E-100M FOR NOTES AND TEXT DETAILS.
COLORS FOR SIGNS SHOWN ON THIS SHEET SHALL BE BLACK TEXT, BORDER AND SYMBOLS ON A REFLECTORIZED TYPE IIB OR TYPE III ORANGE BACKGROUND, UNLESS OTHERWISE NOTED.

SIGNS USED ONLY FOR DAYTIME MAINTENANCE OPERATIONS DO NOT NEED TO BE REFLECTORIZED; HOWEVER, THESE SIGNS SHALL BE LABELED "DAYTIME USE ONLY" ON THE BACK OF THE SIGN PANEL WITH 75-MM SERIES C LETTERS.

OTHER STDS. E-100M REQUIRED:

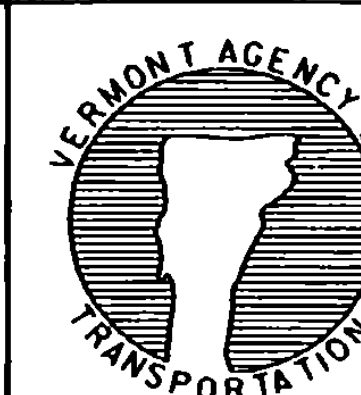
NOTE: ALL DIMENSIONS ARE IN MILLIMETERS (mm) EXCEPT WHERE NOTED.

REVISIONS AND CORRECTIONS
JUNE 13, 1997 - ORIGINAL APPROVAL DATE

APPROVED

[Signature]
DIRECTOR OF ENGINEERING
[Signature]
DIRECTOR OF CONSTRUCTION AND MAINTENANCE

CONSTRUCTION SIGN
DETAILS



Metric
STANDARD
E-101M