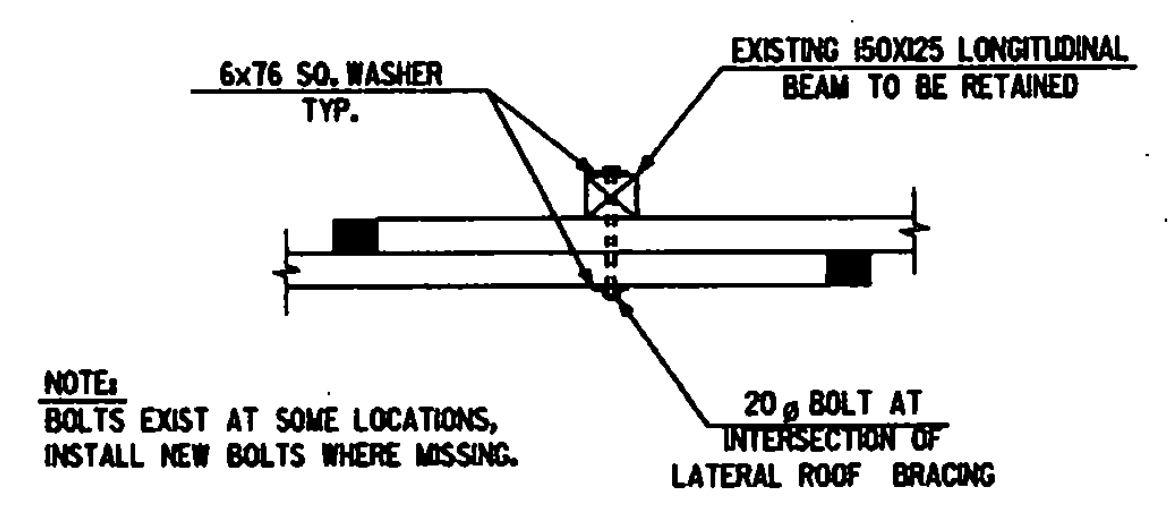


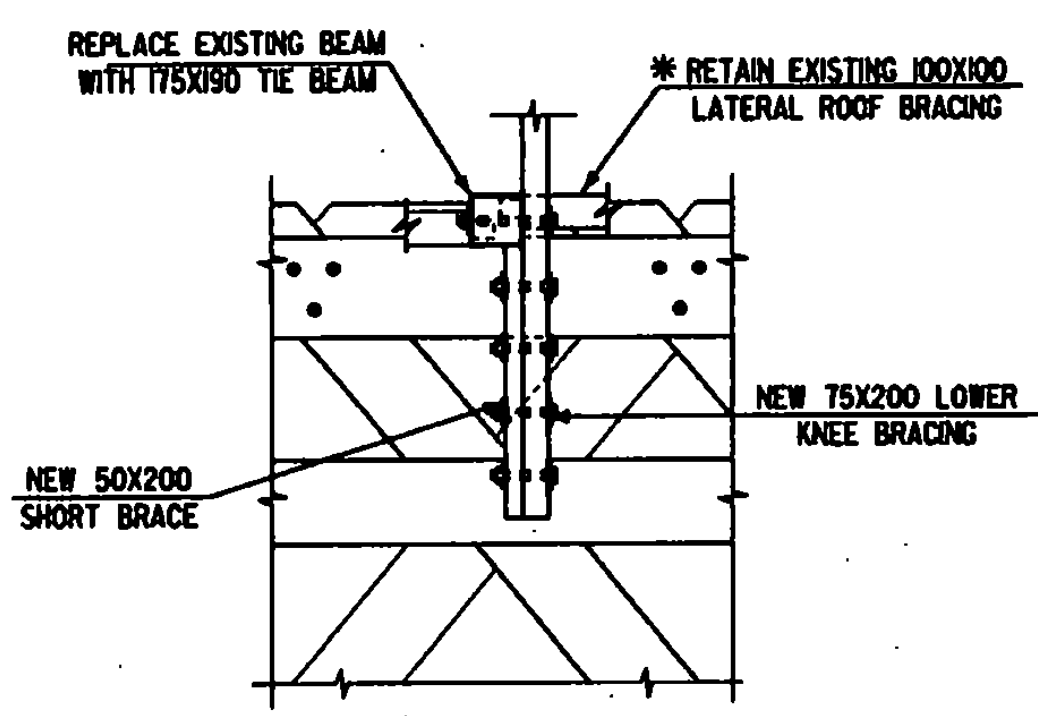
**TOP CROSS FRAMING PLAN**

0 100 200 300  
SCALE 1/50

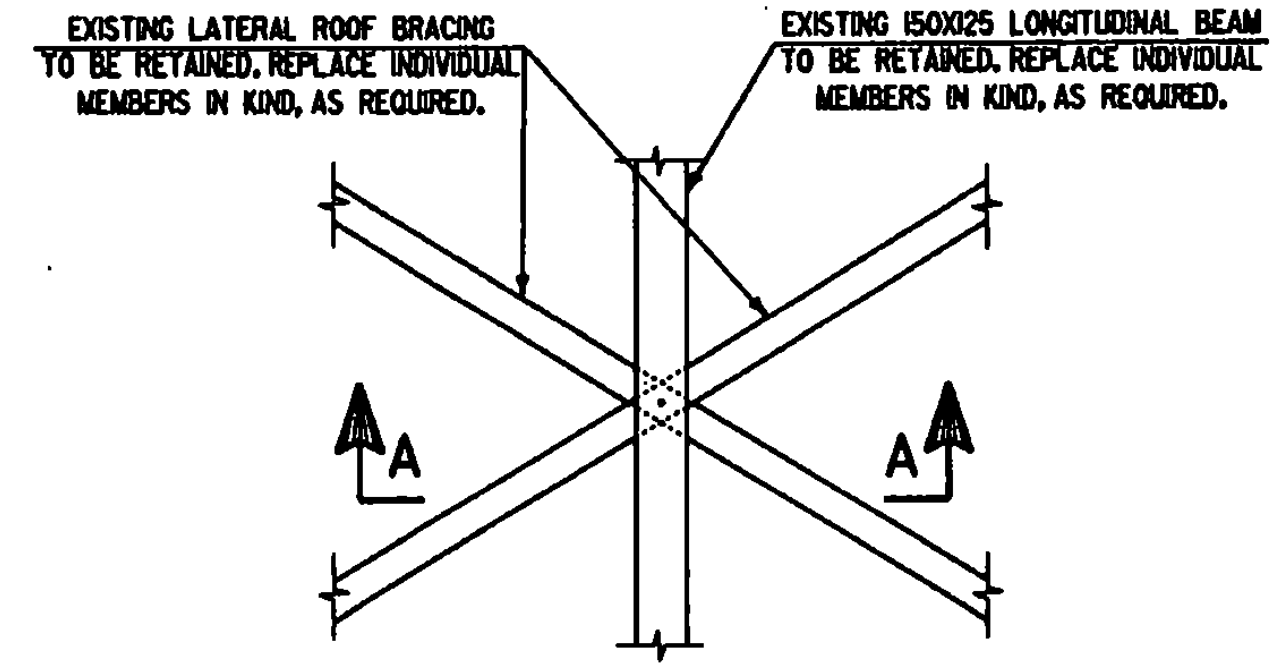


NOTE:  
BOLTS EXIST AT SOME LOCATIONS,  
INSTALL NEW BOLTS WHERE MISSING.

**SECTION A - A**  
0 2 4 6 8 10  
SCALE 1/20

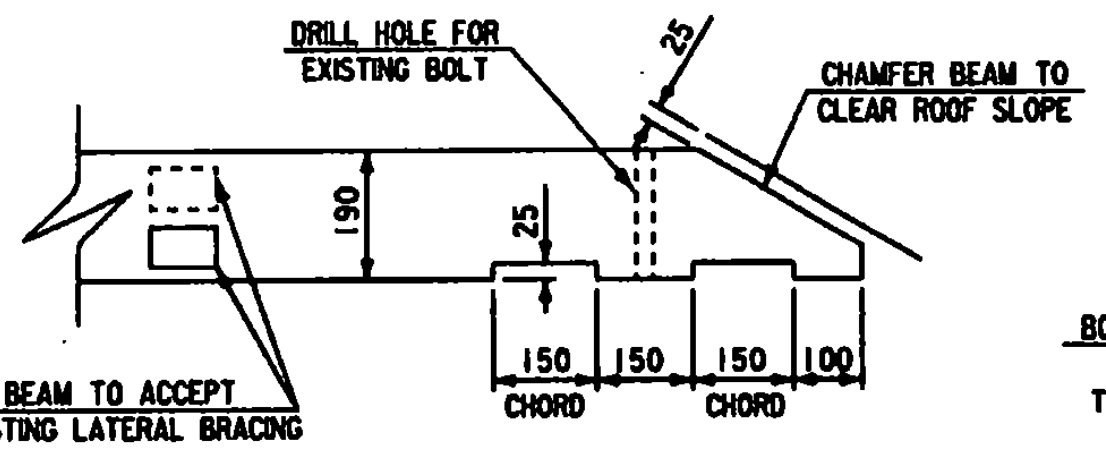


**SECTION B - B**  
0 2 4 6 8 10  
SCALE 1/20



**TOP LATERAL ROOF BRACE DETAIL**

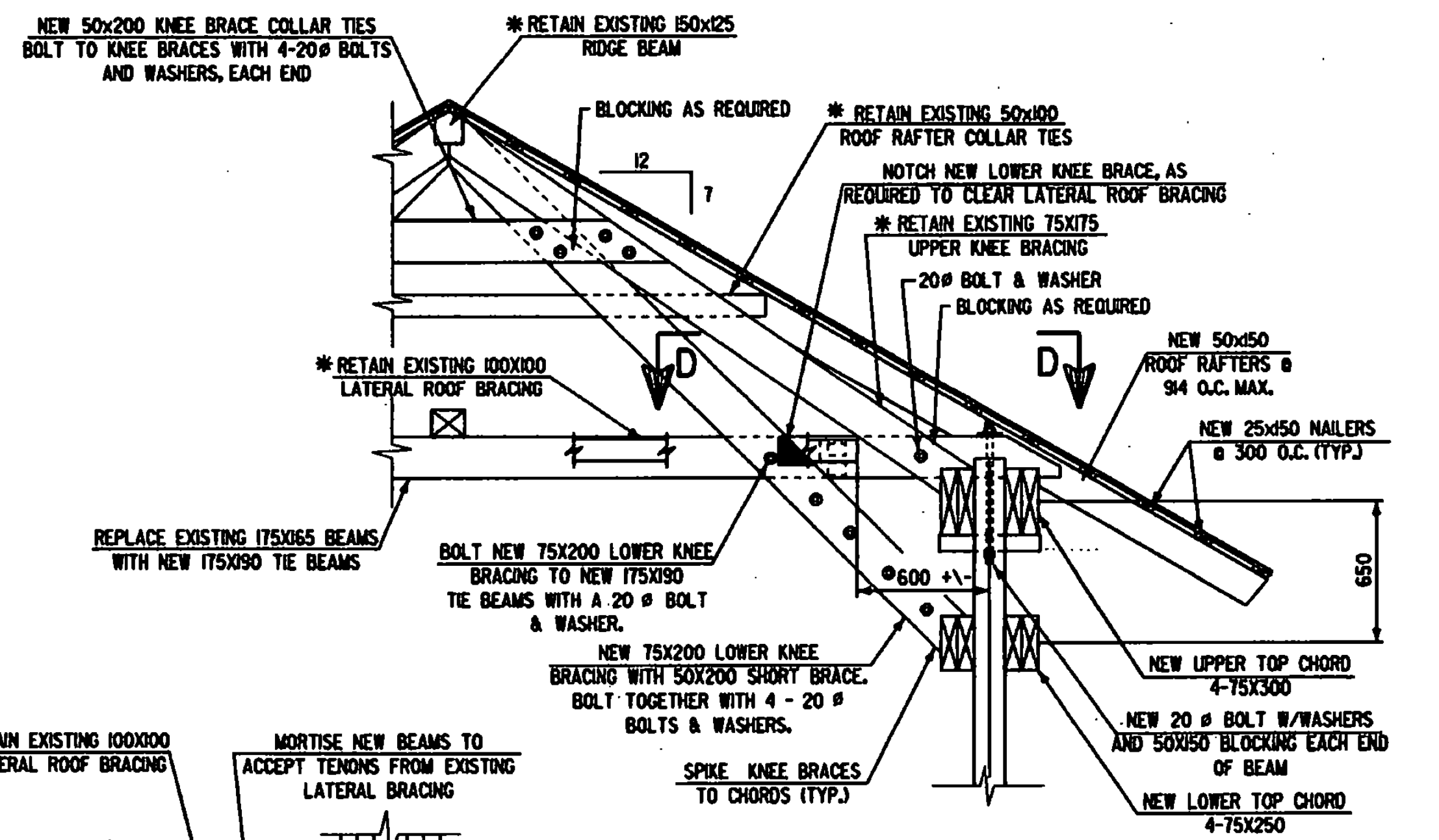
0 2 4 6 8 10  
SCALE 1/20



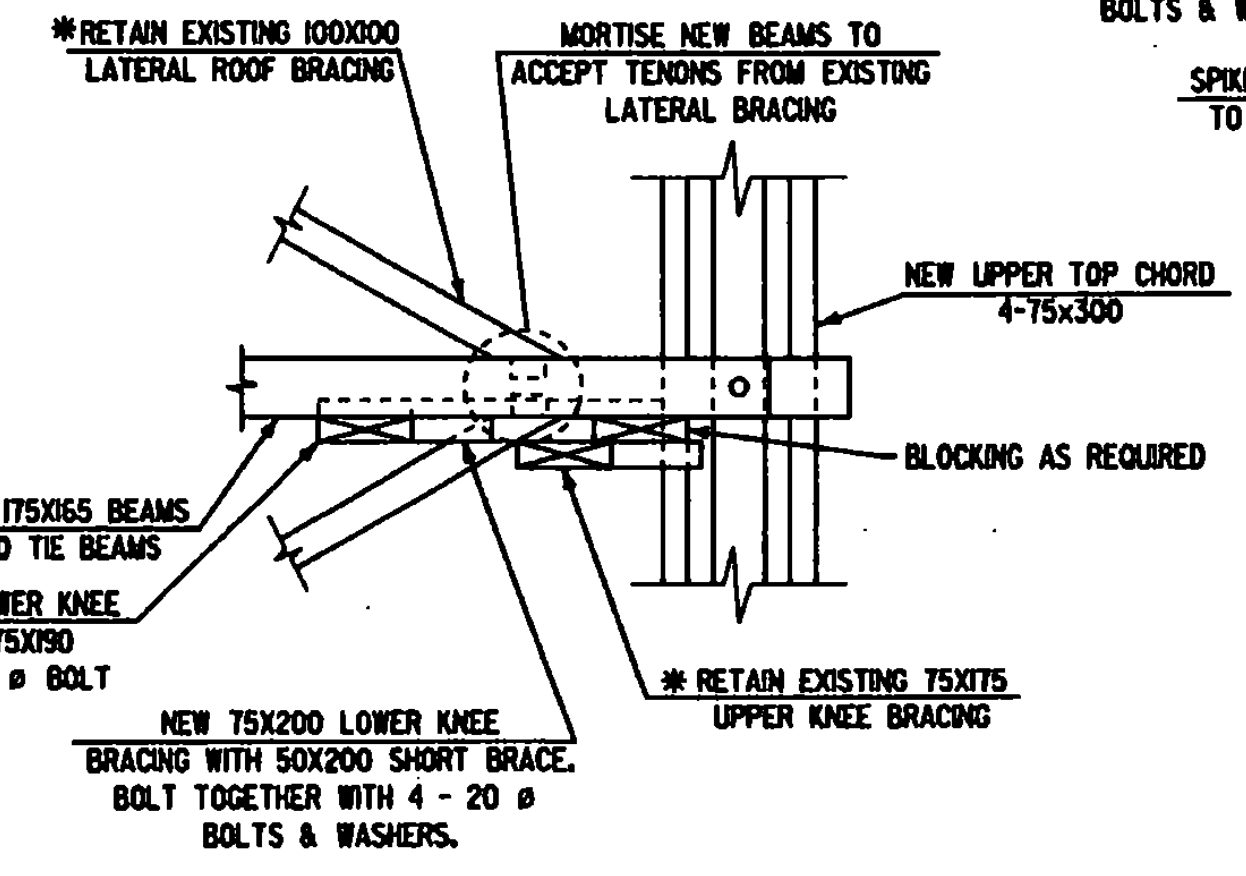
**NEW 175X190 BEAM CONNECTION DETAIL**

0 2 4 6  
SCALE 1/10

\* REPLACE INDIVIDUAL MEMBERS AS REQUIRED



**SECTION C - C**  
0 2 4 6 8 10  
SCALE 1/20



**SECTION D - D**

0 2 4 6 8 10  
SCALE 1/20

|  |   |
|--|---|
| <b>STATE OF VERMONT<br/>AGENCY OF TRANSPORTATION</b>                                     |   |
| Town Of BENNINGTON   | Bridge No. 31                           |
| Highway No. T.J.H. #19 (MURPHY ROAD)   | Loc. Sta. Surv. Sta.                    |
| <b>PAPER MILL COVERED BRIDGE REHABILITATION<br/>TOP LATERAL FRAMING PLAN AND DETAILS</b> |   |
| Designed By J. MIECZKOWSKI   | Drawn By K. NICHOLS                     |
| Checked By J. MIECZKOWSKI  | Bridge Design Supervisor P. MALACHOWSKI |
| Date 5/99  | Date 5/99                               |
| PROJECT BENNINGTON   | PROJECT NO. BHZ 144118                  |
| I.C.C. info. m:\1994810\at\tr\144118.dgn   |   |
| Bridge Sheet No.   | Sheet 12 of 22                          |

DATUM  
VERTICAL \_\_\_\_\_  
HORIZONTAL \_\_\_\_\_