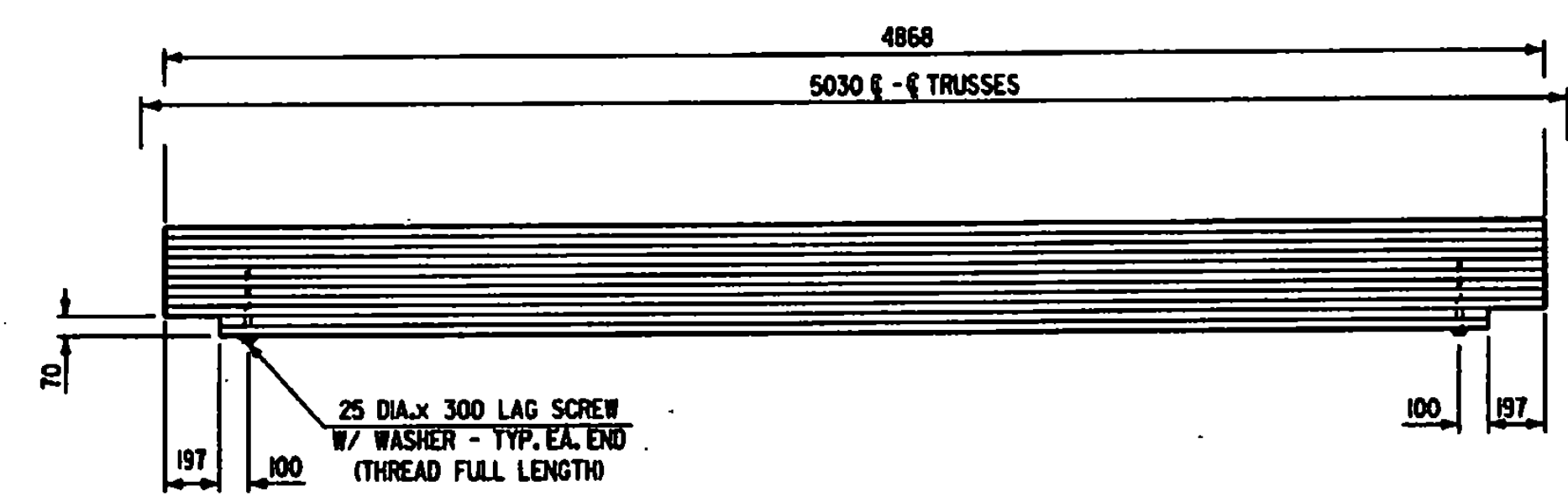
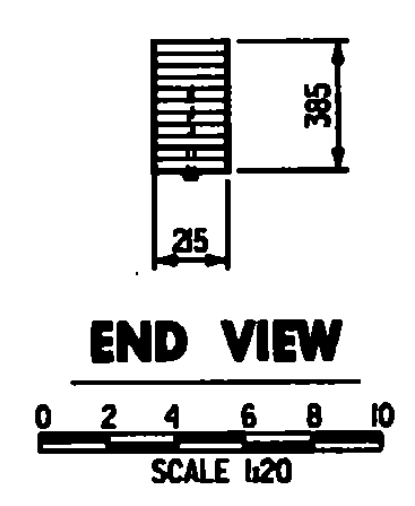
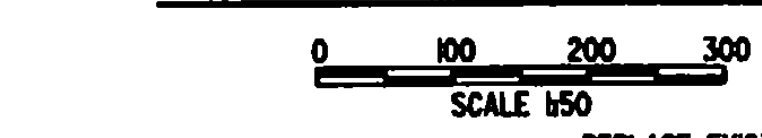


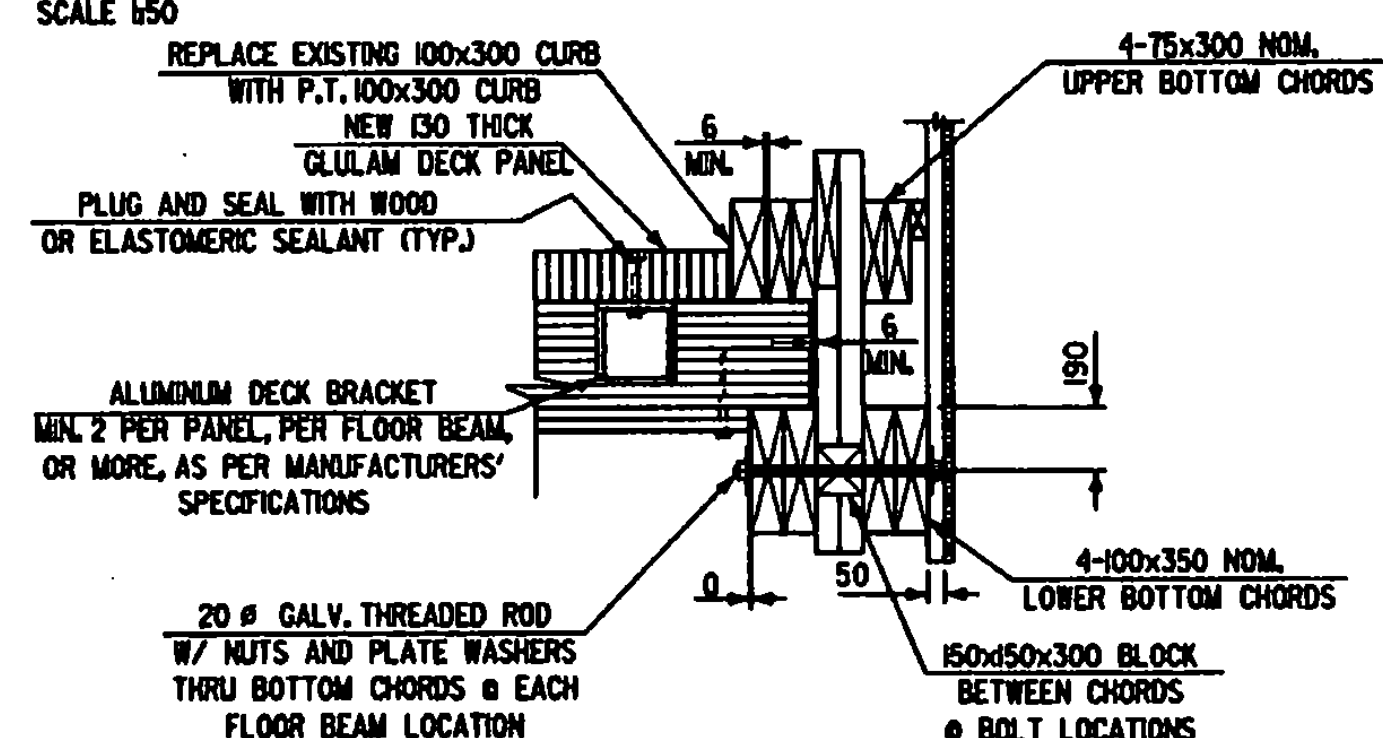
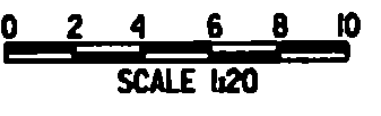
BRIDGE DECK FRAMING PLAN



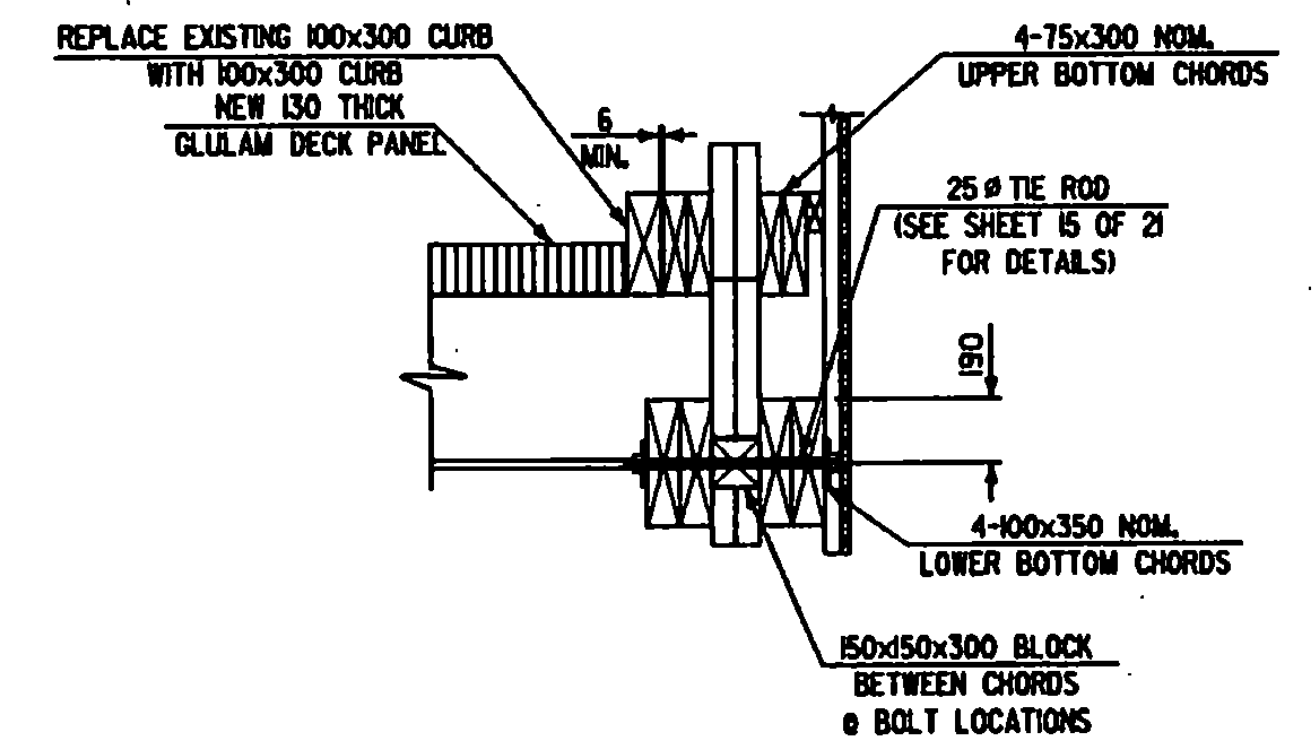
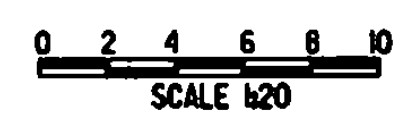
TYP. 215x385 FLOOR BEAM



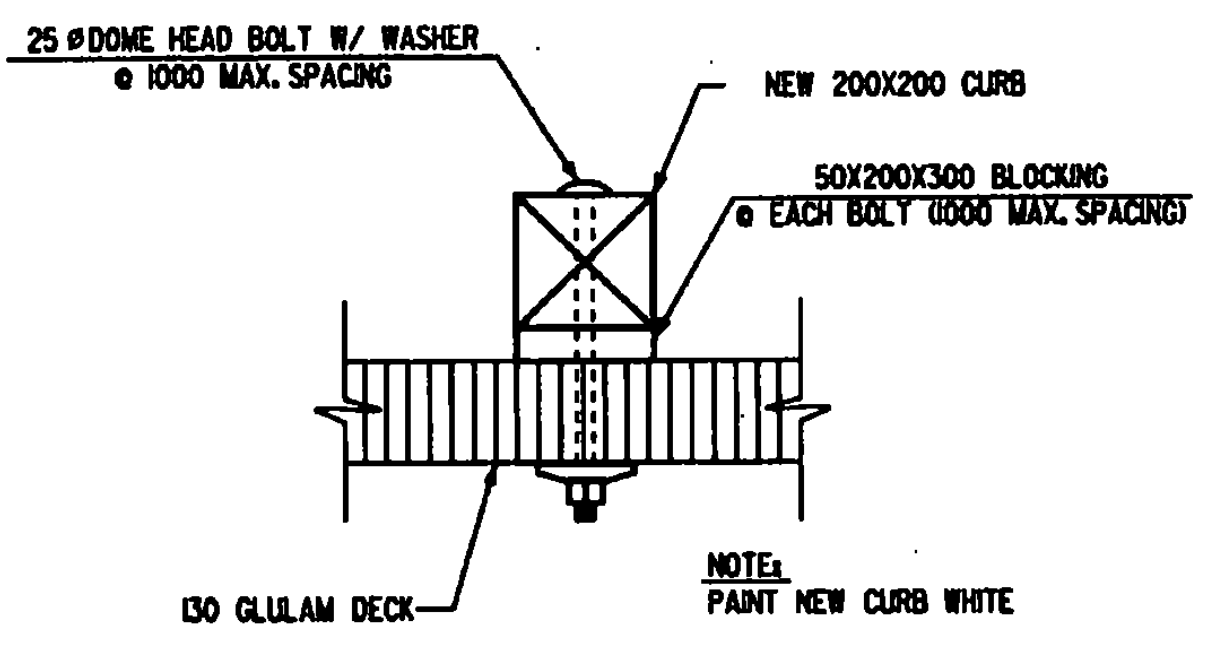
END VIEW



SECTION A-A



SECTION B-B AT TIE ROD LOCATION



NEW 200x200 CURB CONNECTION DETAIL



- NOTES**
- REFER TO GENERAL NOTES FOR DETAILS OF GLULAM DECK PANELS AND CONNECTIONS.
 - ALL DIMENSIONS ARE IN MILLIMETERS, UNLESS OTHERWISE NOTED.

DATUM

VERTICAL _____

HORIZONTAL _____

STATE OF VERMONT AGENCY OF TRANSPORTATION	
Town Of BENNINGTON	Bridge No. 31
Highway No. T.H. #19 (MURPHY ROAD)	Log Sta. _____ Surv. Sta. _____
PAPER MILL COVERED BRIDGE REHABILITATION FLOOR FRAMING PLANS AND DETAILS	
Designed By J. MIECZKOWSKI	Drawn By K. NICHOLS
Checked By J. MIECZKOWSKI	Bridge Design Supervisor P. MALACHOWSKI Date 5/99
PROJECT BENNINGTON	PROJECT NO. BHZ 144(18)
I.G.C. Info. m:\1954810\struet\144fr.dgn	Bridge Sheet No. Sheet 11 of 22