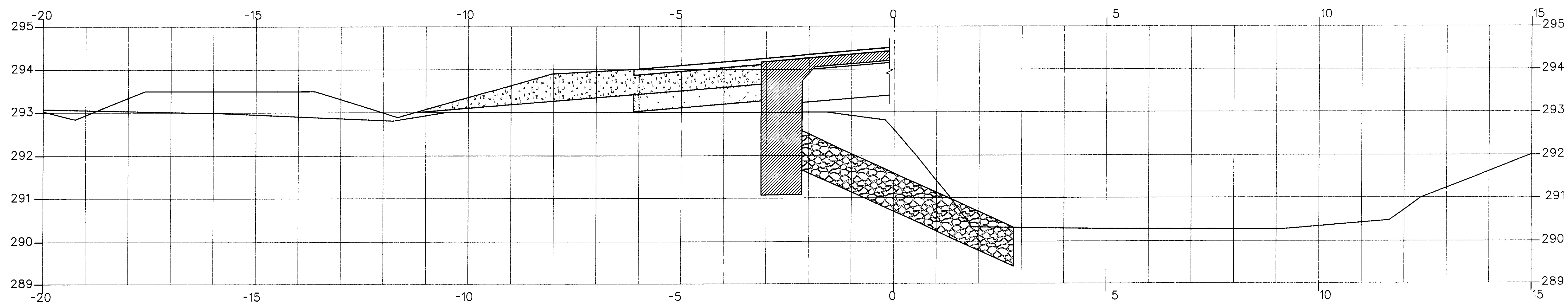
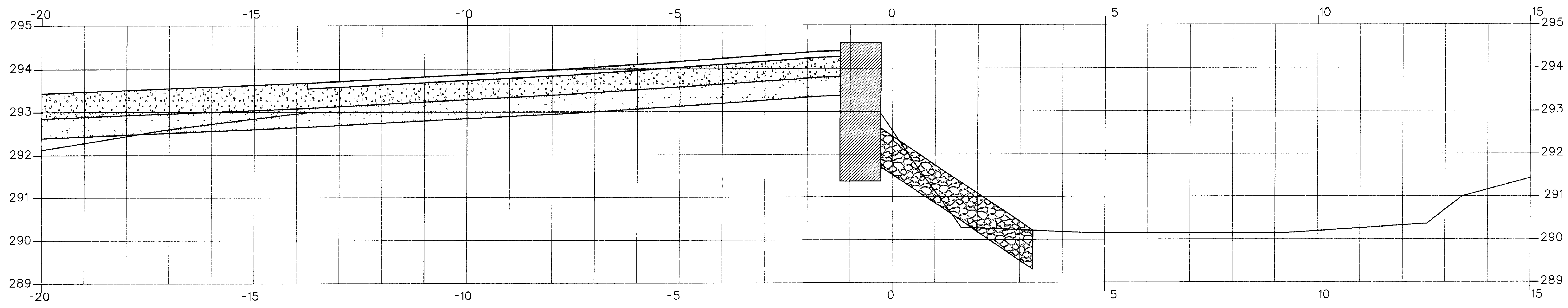


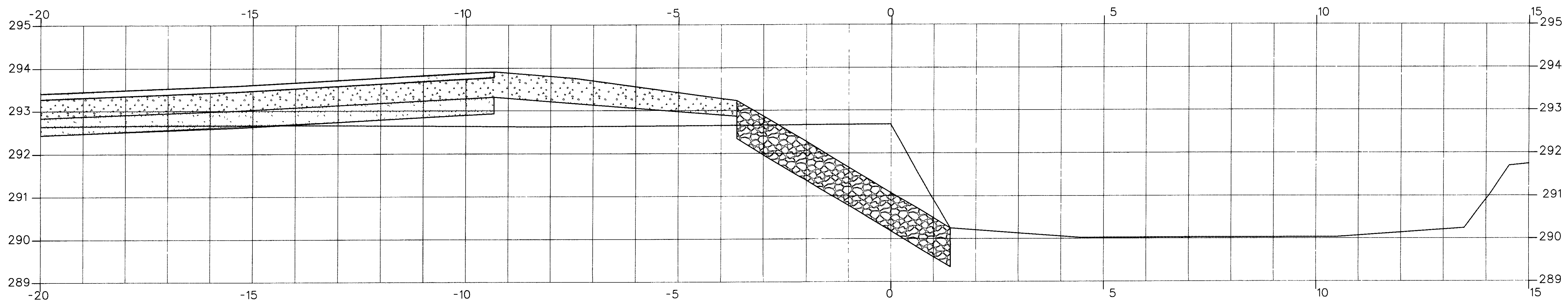
Filename: \\76_br_08_BURKE C3 dgWorkgroup Structures Division
 User: Eric Calderwood
 Date: 4/3/2009



3+030

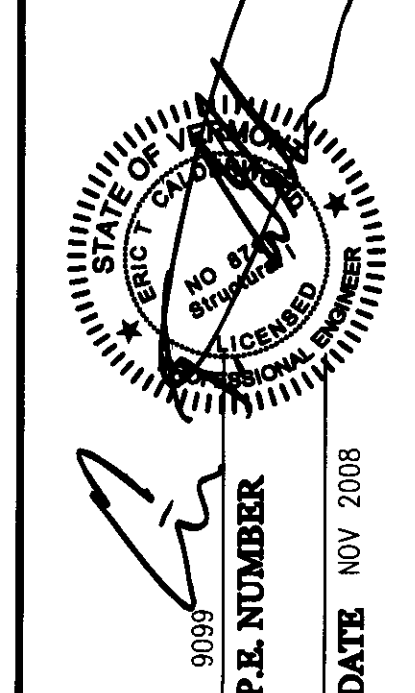


3+025



3+020

CALDERWOOD ENGINEERING, ETC.
 STRUCTURAL ENGINEERING • DETAILING SERVICES
 222 RIVER ROAD, RICHMOND, ME 04277 P: (207) 737-4801
PREPARED FOR AUSTIN CONST., INC
 BURKE - VALUE ENGINEERING
 PROJ. BRZ 1447 (16)



DESIGN-DETAILED	DATE	NOV 08
CHECKED-REVIEWED	BY	ETC
REVISIONS 1	NO REVISIONS THIS SHEET	JAN 09
REVISIONS 2	NO REVISIONS THIS SHEET	MAR 09
REVISIONS 3	NO REVISIONS THIS SHEET	APR 09
REVISIONS 4	NO REVISIONS THIS SHEET	
FIELD CHANGES		

BURKE
 VALUE ENGINEERED DESIGN
 CROSS SECTIONS

SHEET NUMBER
C3