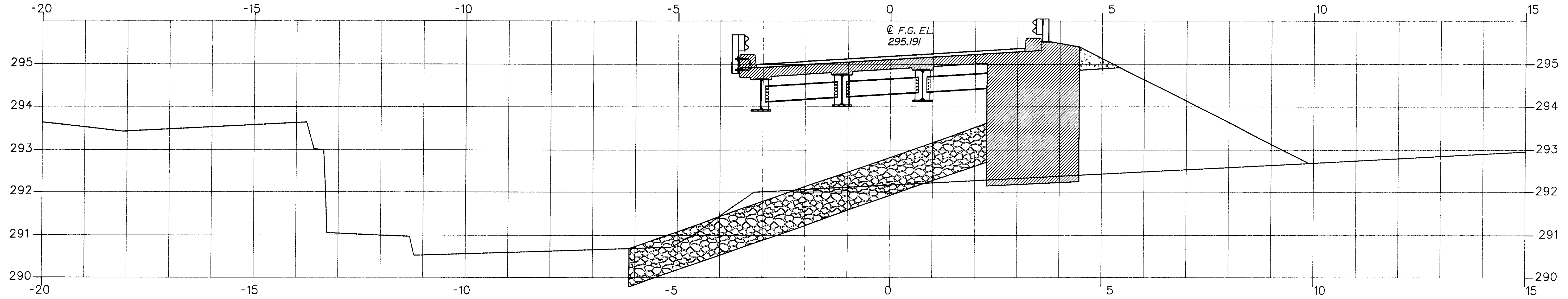


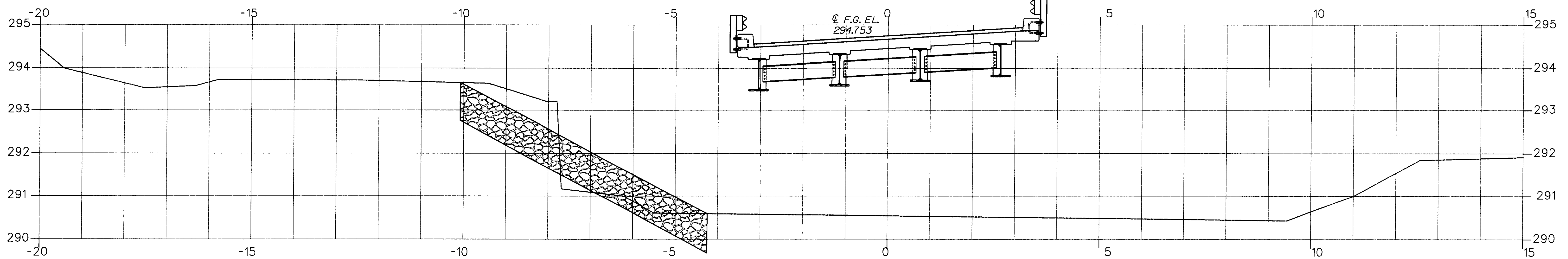
Date 4/3/2009

Username Eric Calderwood

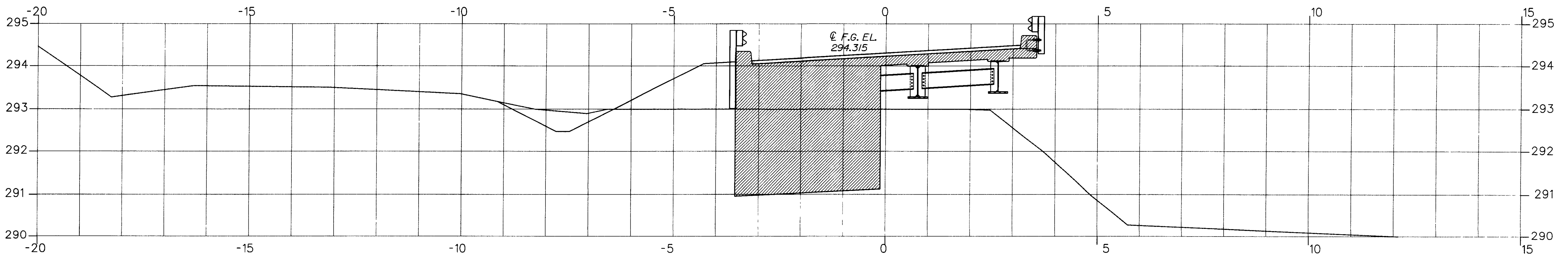
Filename \\76.br_08_BURKE_C1.dgn Workgroup Structures Division



2+160



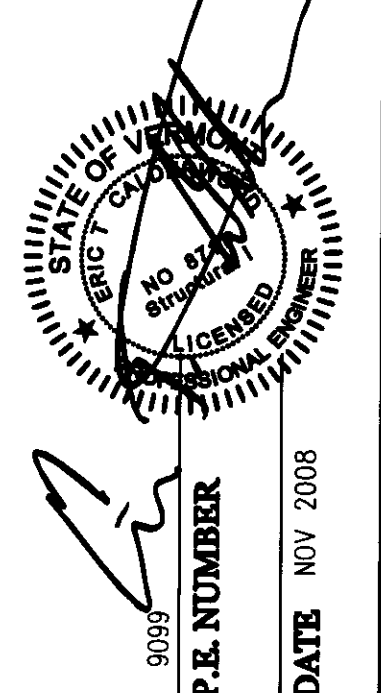
2+150



2+140

CALDERWOOD ENGINEERING, ETC.
 STRUCTURAL ENGINEERING • DETAILING SERVICES
 222 RIVER ROAD, RICHMOND, ME 04277 PH/FX (207)787-4801

PREPARED FOR AUSTIN CONST., INC
 BURKE - VALUE ENGINEERING
 PROJ. BRZ 1447 (16)



DATE	BY	REVISIONS
NOV 08	ETC	CHECKED/REVIEWED
JAN 09		NO REVISIONS THIS SHF
MAR 09		NO REVISIONS THIS SHF
APR 09		NO REVISIONS THIS SHF
		NO REVISIONS THIS SHF
		FIELD CHANGES

BURKE
 VALUE ENGINEERED DESIGN
 CROSS SECTIONS

SHEET NUMBER
 C1