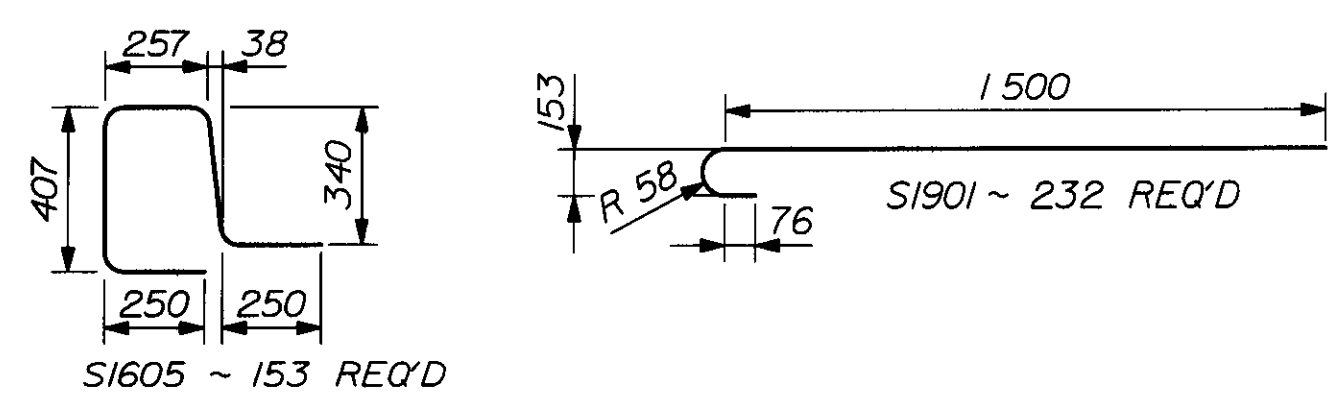
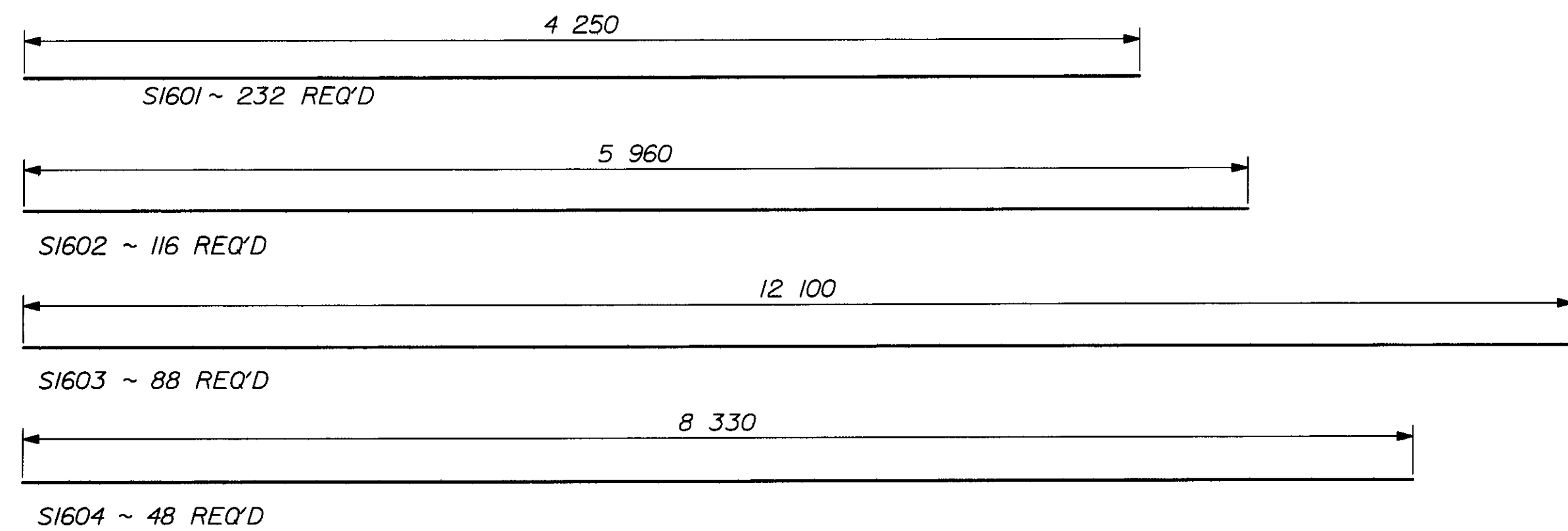


CURB LAYOUT PLAN

	A	B	C	D	E	F	G	H	I	J	K
LEFT	293.815	293.955	294.065	294.175	294.280	294.380	294.480	294.570	294.660	294.745	294.830
RIGHT	294.110	294.240	294.345	294.450	294.550	294.645	294.735	294.825	294.905	294.990	295.085

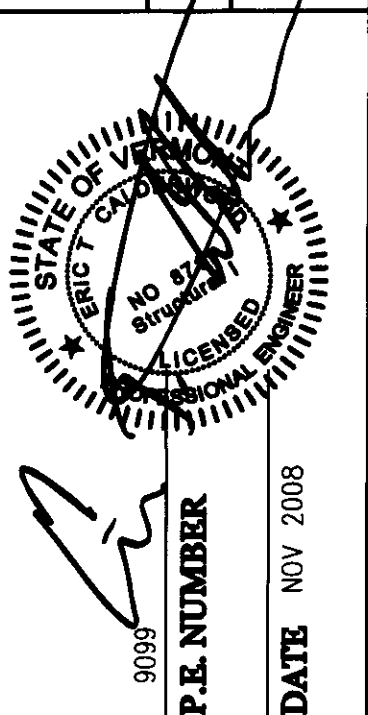
SOFFIT ELEVATIONS ACCOUNT FOR FLUID LOAD DEFLECTIONS



SLAB REINFORCING NOTES

1. ALL REINFORCING STEEL SHALL MEET THE REQUIREMENTS OF AASHTO M31M (ASTM A615M) ALL BARS SHALL BE GRADE 420 Mpa
2. ALL SLAB REINFORCEMENT SHALL BE EPOXY COATED
3. ALL BENDS SHALL CONFORM TO ACI 318M RECOMMENDED PIN DIAMETERS
4. ALL DIMENSIONS ARE OUT TO OUT OF REINFORCEMENT (EXCEPT RADIUS OF S1901)
5. PROVIDE 40 mm CLEAR COVER BTM & 65mm CLEAR COVER TOP TYPICAL U.N.O.

CALDERWOOD ENGINEERING, ETC.  
 STRUCTURAL ENGINEERING • DETAILING SERVICES  
 222 RIVER ROAD, RICHMOND, ME 04867 PH/FX (207)781-4801  
 PREPARED FOR AUSTIN CONST., INC  
 BURKE - VALUE ENGINEERING  
 PROJ. BRZ 1447 (16)



DESIGN-DETAILED	CHECKED-REVIEWED	BY	DATE
		ETC	NOV 08
REVISIONS 1	ADDRESS NOT COMMENTS		JAN 09
REVISIONS 2	NO CHANGES THIS SHIT		MAR 09
REVISIONS 3	NO CHANGES THIS SHIT		APR 09
REVISIONS 4	FIELD CHANGES		

BURKE  
 VALUE ENGINEERED DESIGN  
 CURB LAYOUT & SOFFIT ELEV.

SHEET NUMBER  
 22