

GIRDER HALF ELEVATION & SHEAR STUD LAYOUT  
164 STUDS PER GIRDER - 656 STUDS TOTAL  
DOUBLE STUDS ALL LOCATIONS

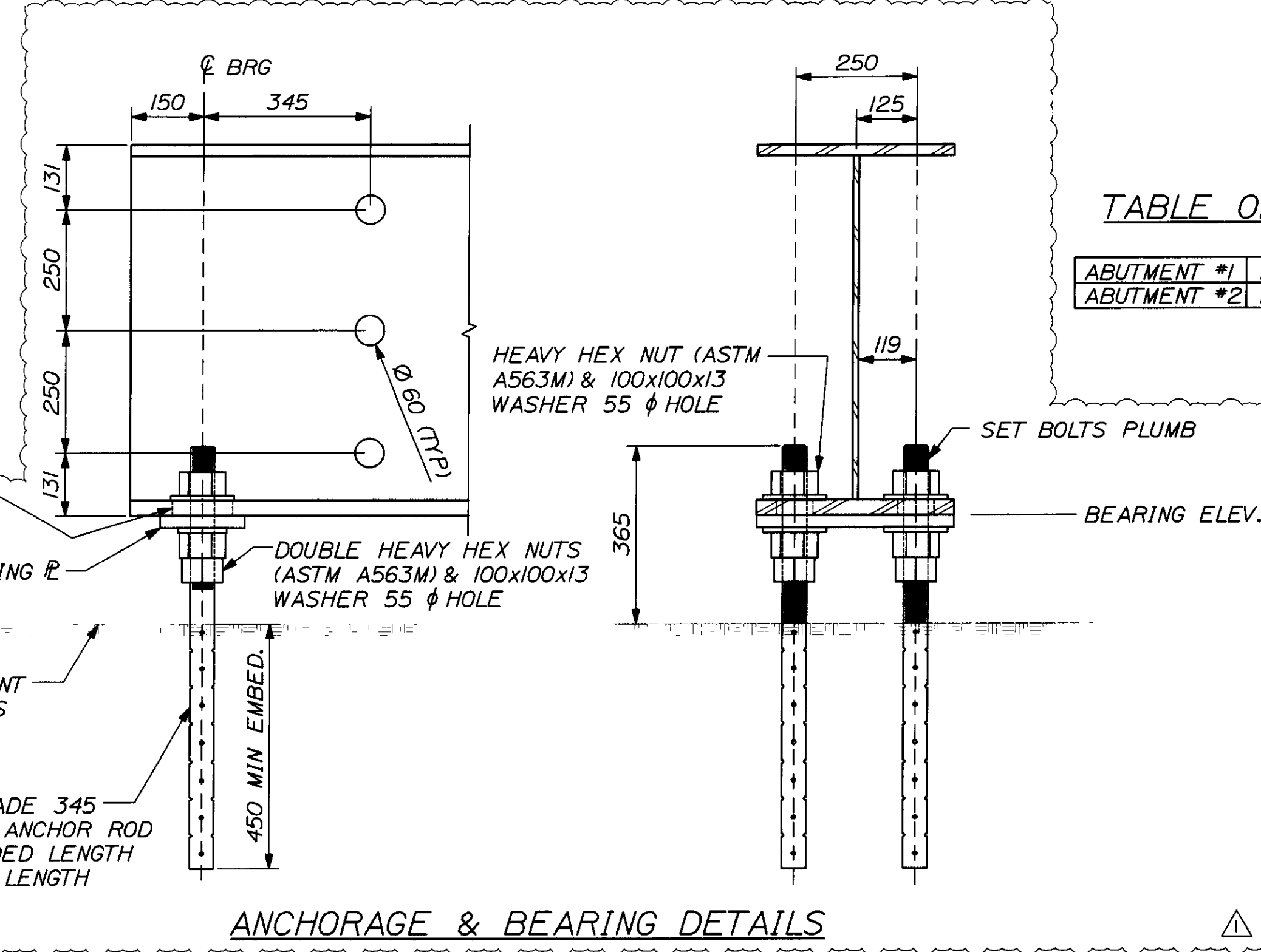
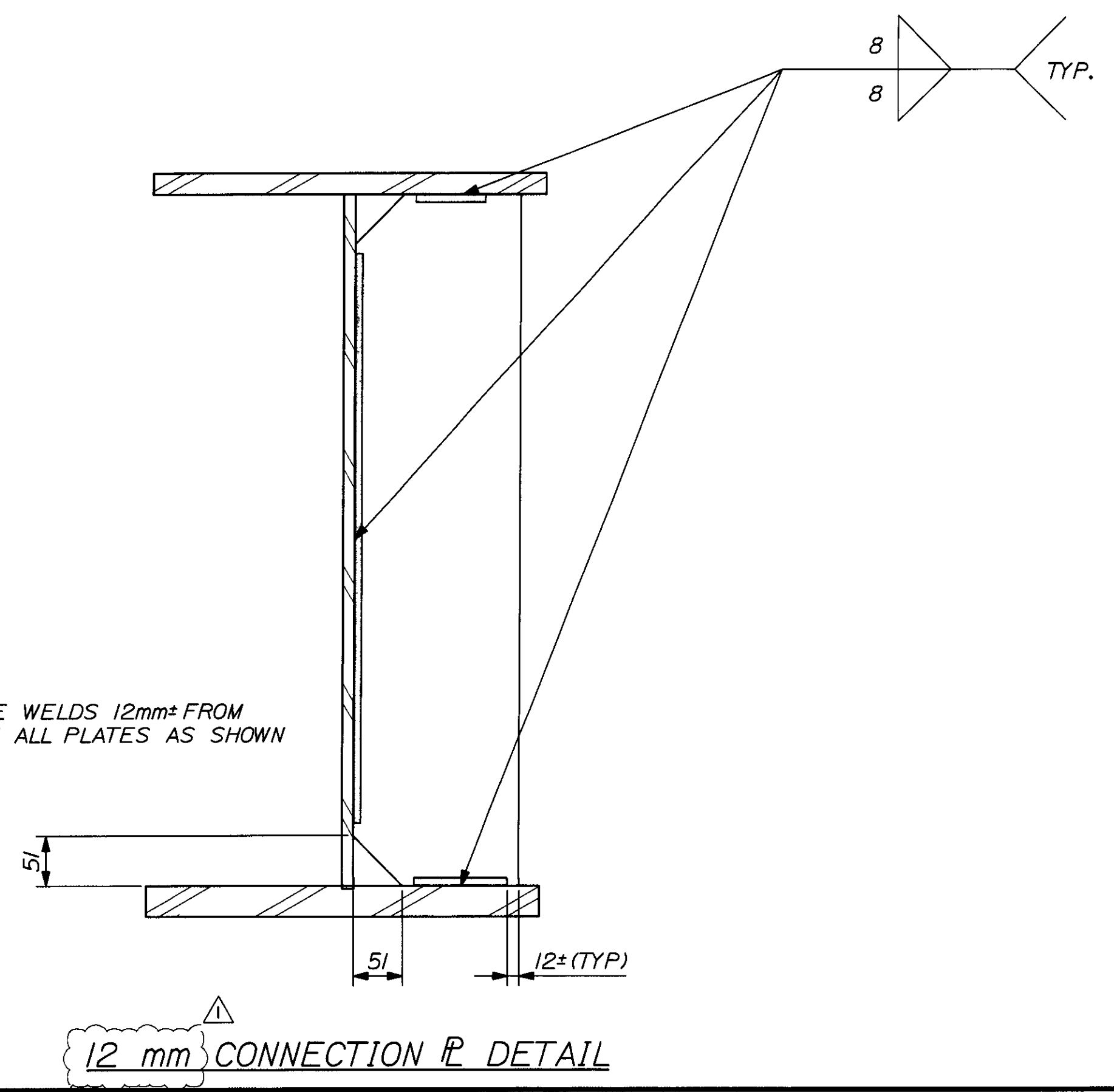


TABLE OF BEARING ELEVATIONS

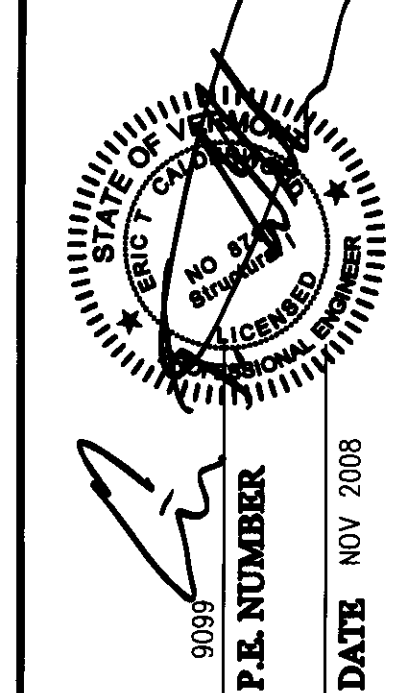
	G1	G2	G3	G4
ABUTMENT #1	293.060	293.155	293.250	293.345
ABUTMENT #2	294.055	294.125	294.200	294.275

TERMINATE WELDS 12mm<sup>2</sup> FROM EDGES OF ALL PLATES AS SHOWN



CALDERWOOD ENGINEERING, ETC.  
STRUCTURAL ENGINEERING • DETAILING SERVICES  
222 RIVER ROAD, RICHMOND, ME 04857 PH/FX (207)732-4801

PREPARED FOR AUSTIN CONST., INC  
BURKE - VALUE ENGINEERING  
PROJ. BRZ 1447 (16)



DESIGN-DETAILED	DATE	BY	REVISIONS
CHECKED-REVIEWED	NOV 08	ETC	NO CHANGES THIS SHEET
REVISIONS 1	JAN 09	ADDRESS NOT COMMENTS	NO CHANGES THIS SHEET
REVISIONS 2	MAR 09	NO CHANGES THIS SHEET	NO CHANGES THIS SHEET
REVISIONS 3	APR 09	NO CHANGES THIS SHEET	NO CHANGES THIS SHEET
REVISIONS 4			
FIELD CHANGES			

BURKE  
VALUE ENGINEERED DESIGN  
FRAMING PLAN & GIRDER ELEVATION

SHEET NUMBER

F1