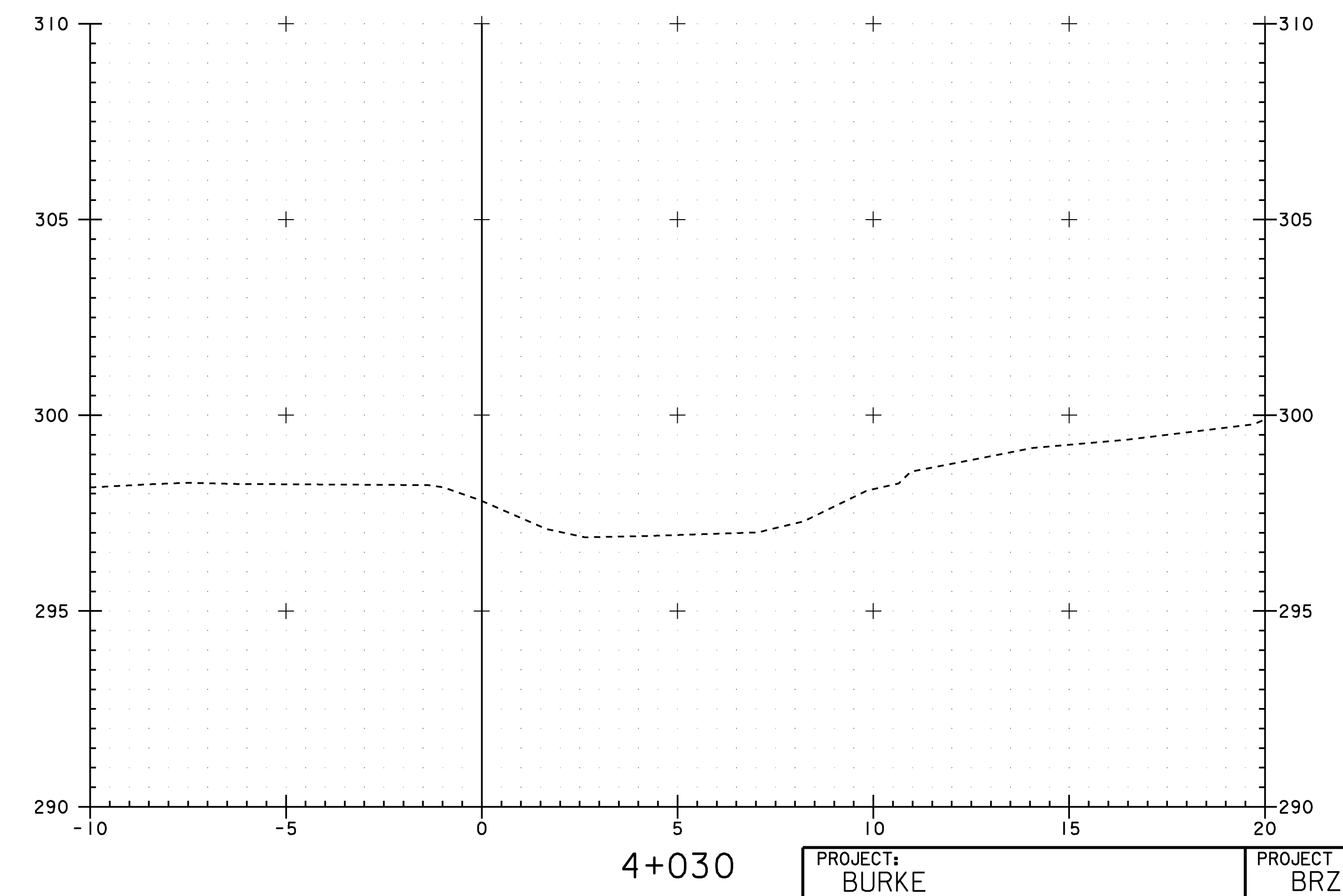
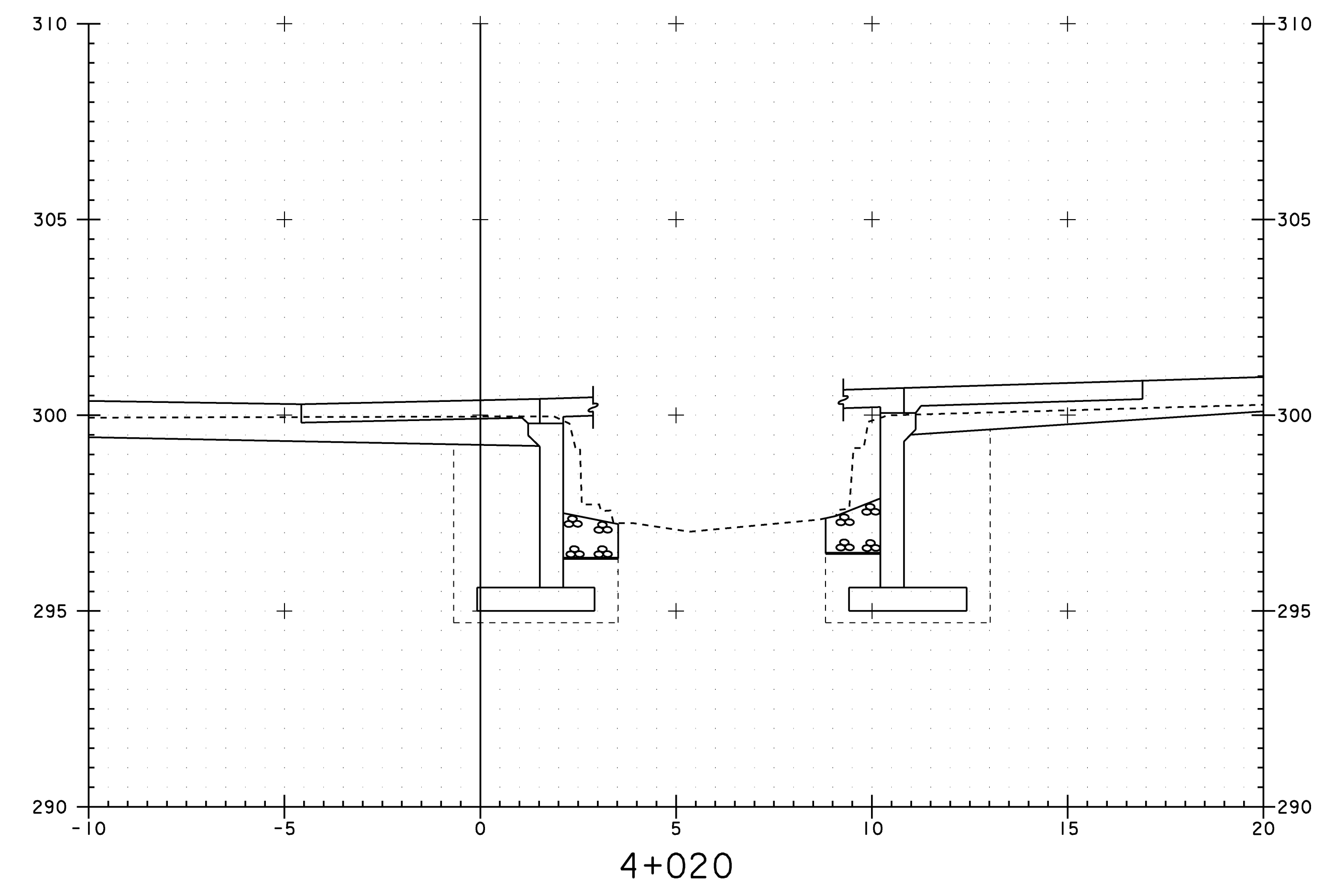
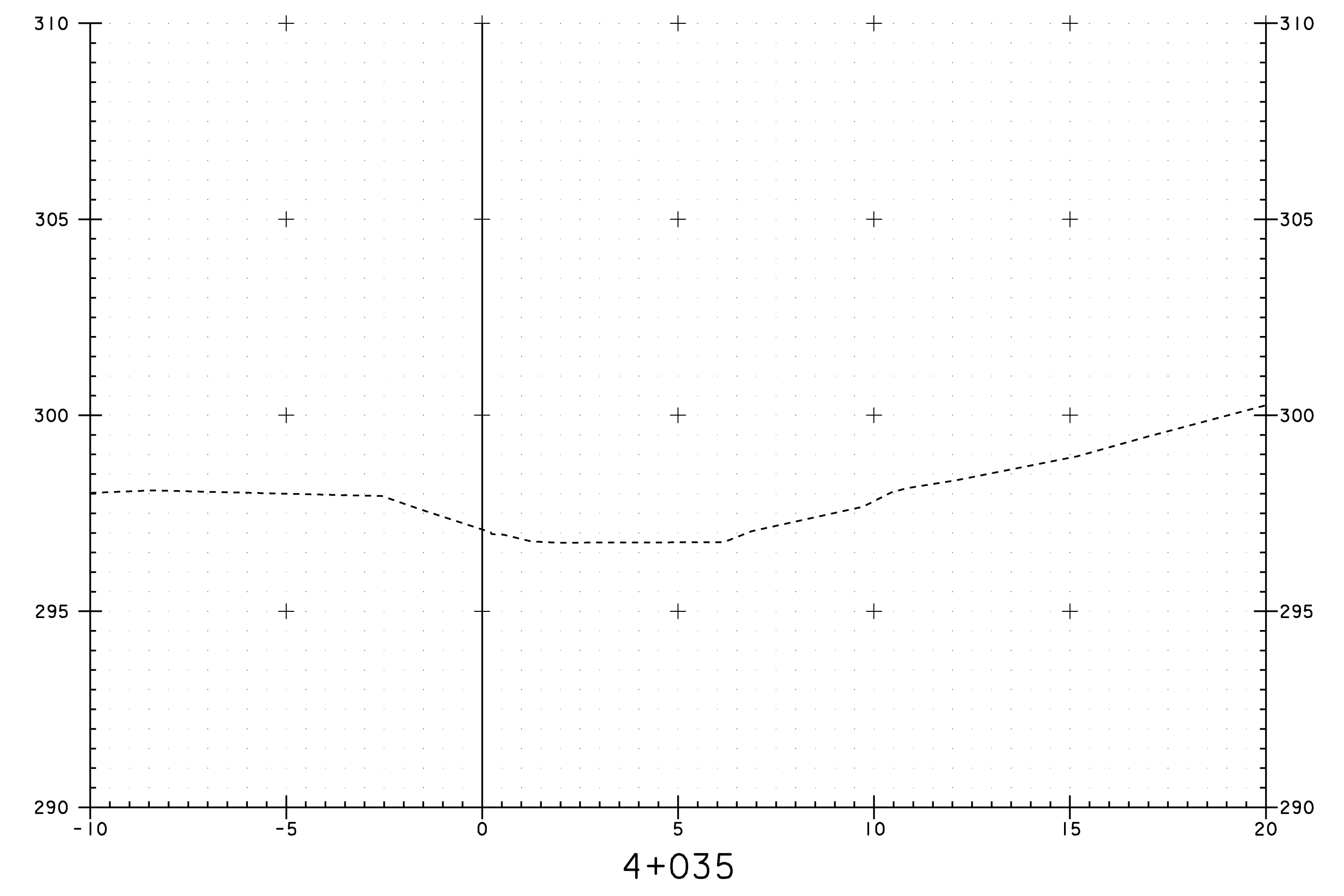
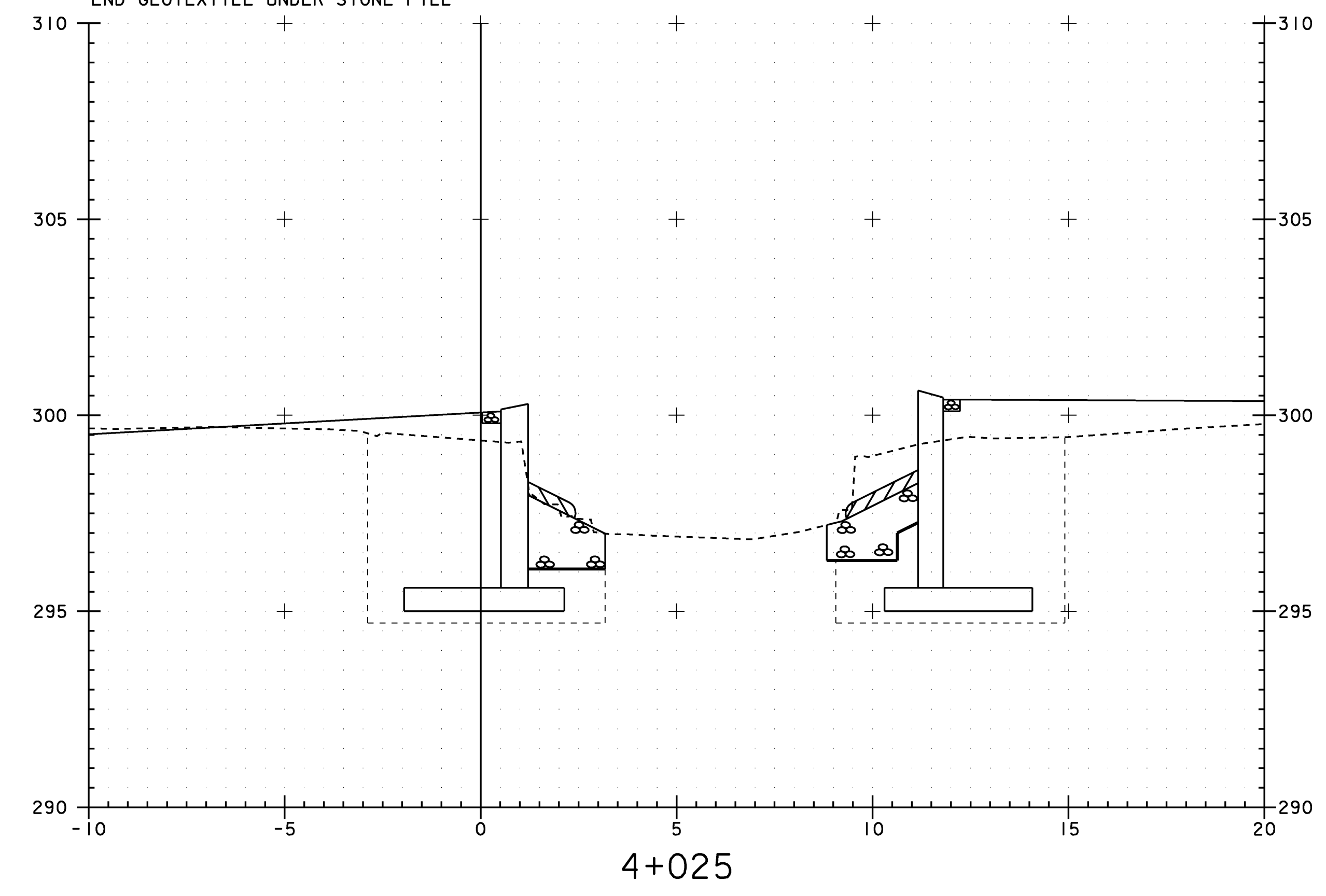


STA. 4+029.50 RT (ABUTMENT 1 & 2)  
 END STONE FILL TYPE III  
 END UNCLASSIFIED CHANNEL EXCAVATION  
 END GRUBBING MATERIAL  
 END GEOTEXTILE UNDER STONE FILL



PROJECT: BURKE	PROJECT NO.: BRZ 1447 (15)
DESIGN FILE NAME: /str4/87e043/se043xsl.dgn	PLOT DATE: 13-MAR-2008
IPARM FILE NAME: /str4/87e043/se043ch6.t	
BRIDGE #17 CHANNEL CROSS SECTIONS	
SECTION 4+020 THROUGH 4+035	
SHEET: 80 OF 81	