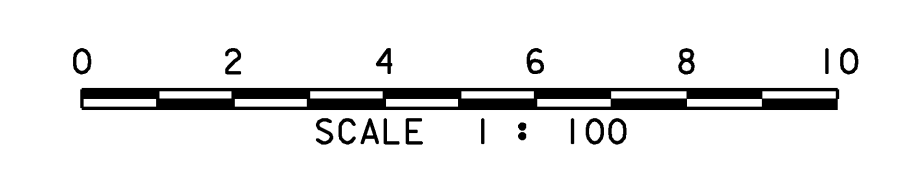
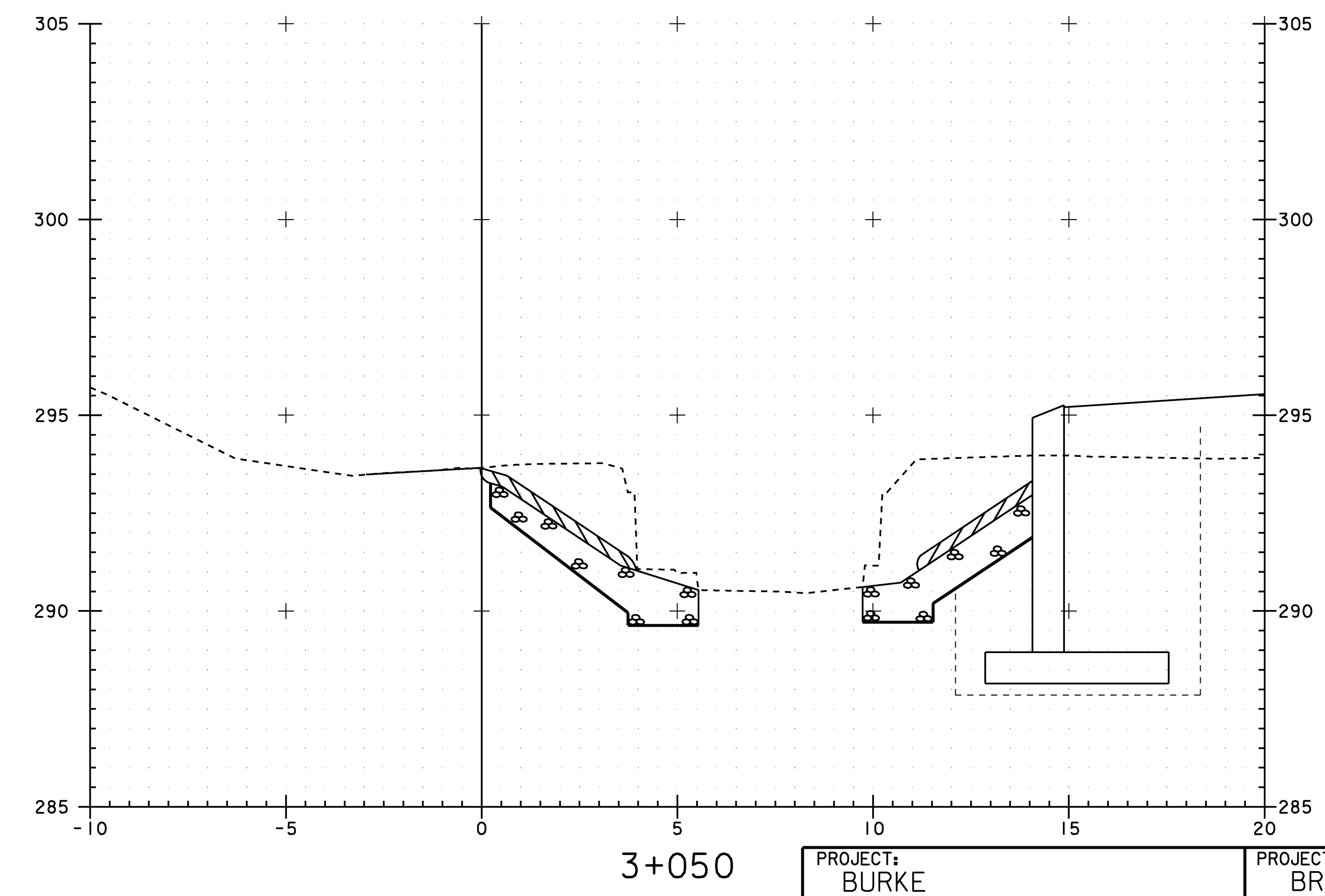
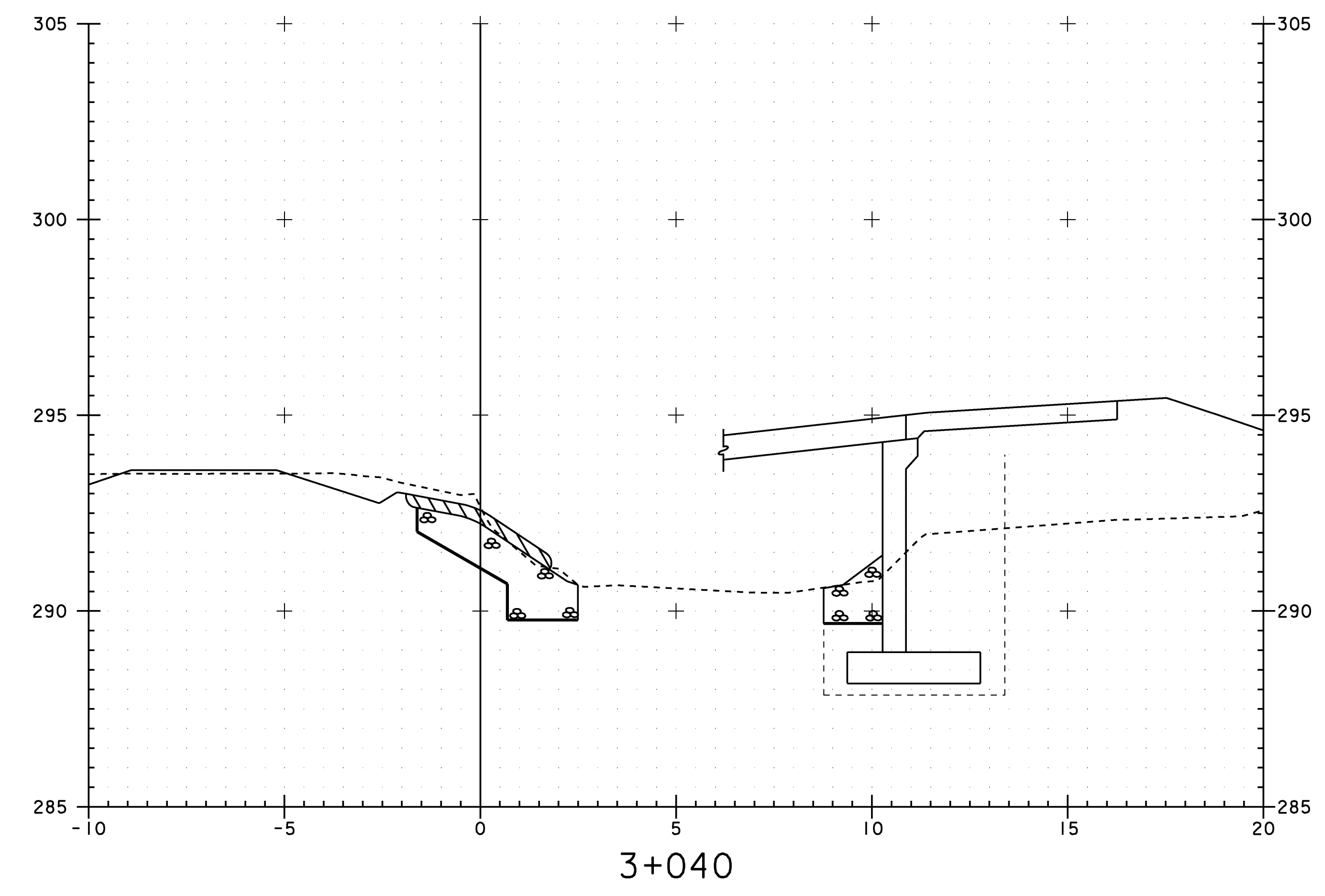
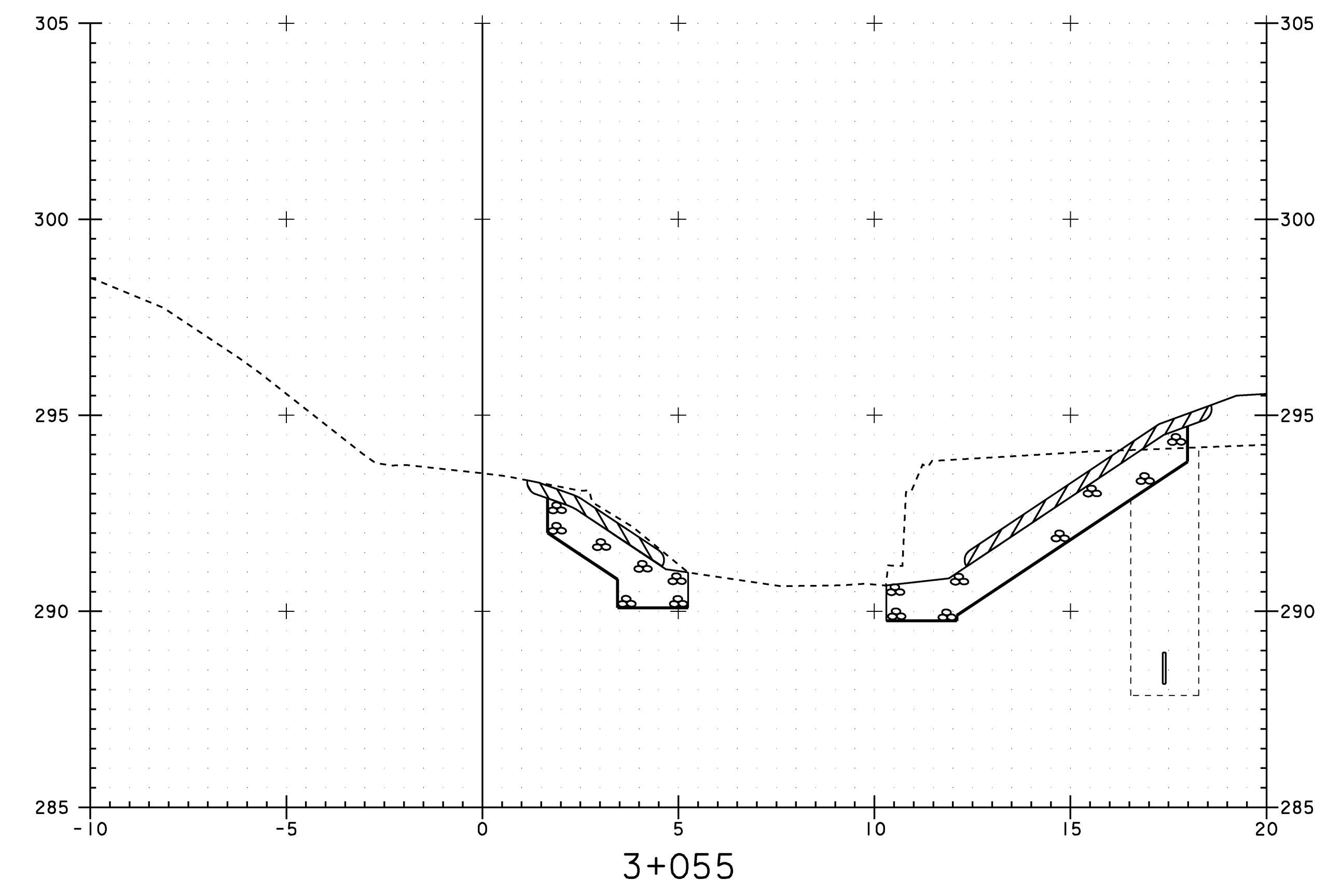
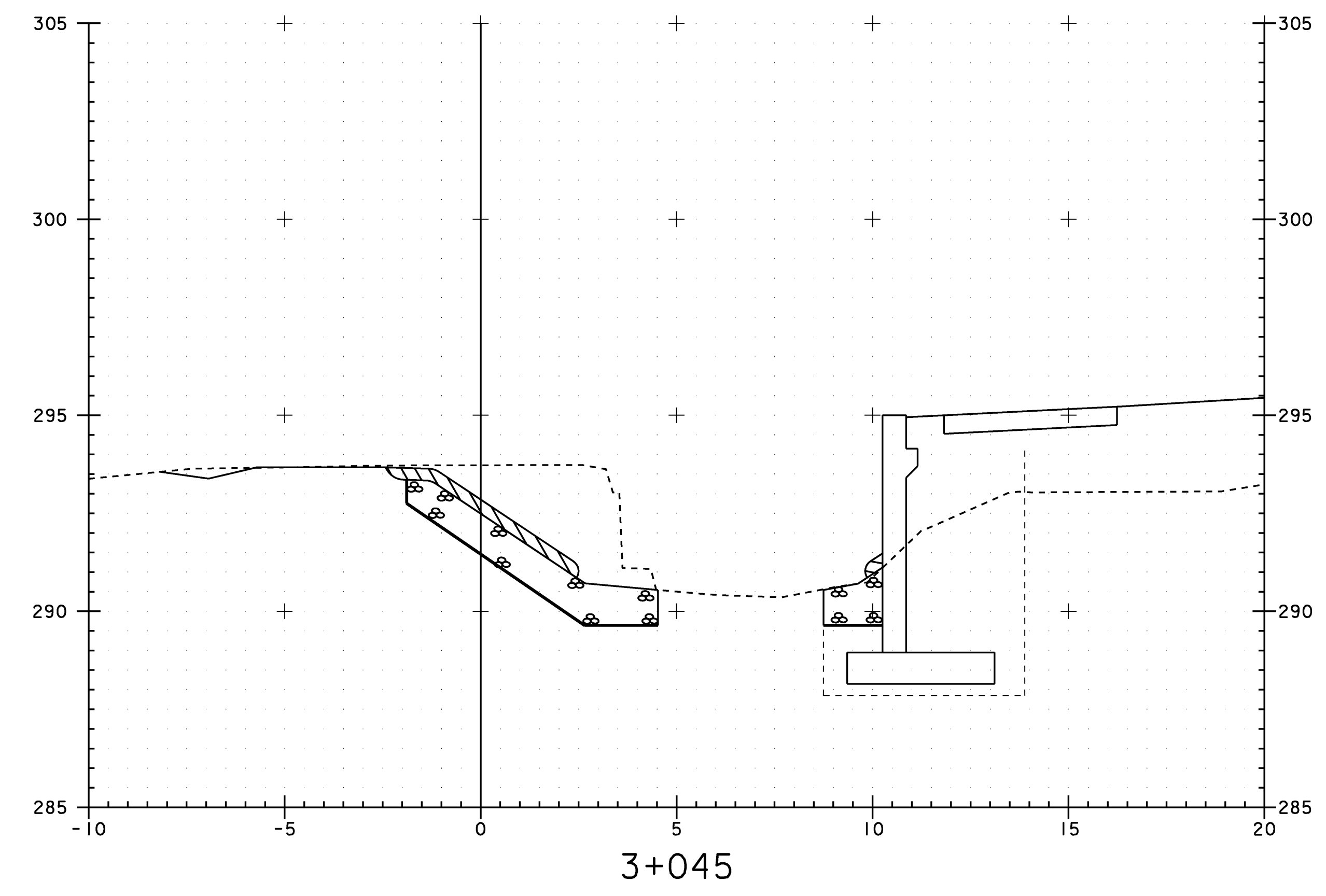


STA. 3+057 RIGHT (ABUTMENT 1)  
 END STONE FILL TYPE III  
 END UNCLASSIFIED CHANNEL EXCAVATION  
 END GRUBBING MATERIAL  
 END GEOTEXTILE UNDER STONE FILL



PROJECT: BURKE	PROJECT NO. : BRZ 1447 (15)
DESIGN FILE NAME: /str4/87e043/se043xsl.dgn	PLOT DATE: 14-MAR-2008
IPARM FILE NAME: /str4/87e043/se043ch3.t	
BRIDGE #16 CHANNEL CROSS SECTIONS	
SECTION 3+040 THROUGH 3+055	
SHEET: 77 OF 81	