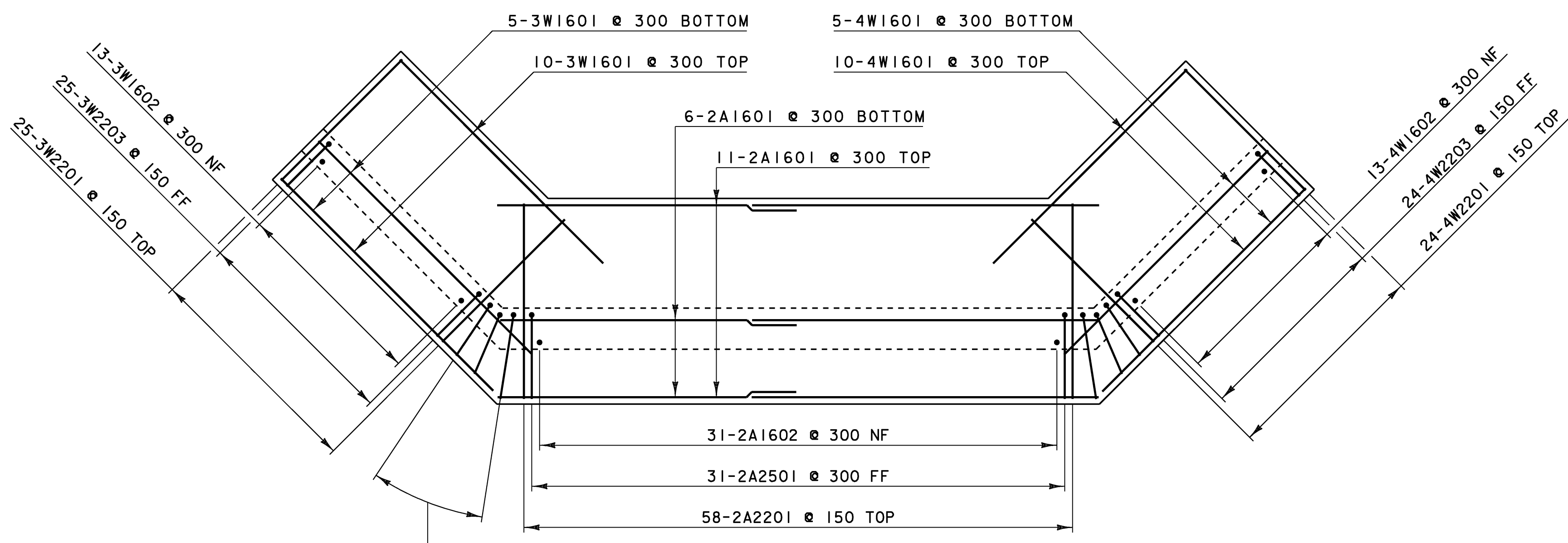
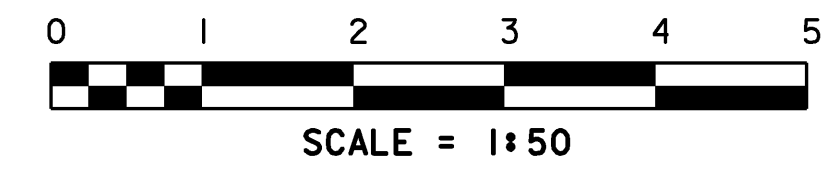
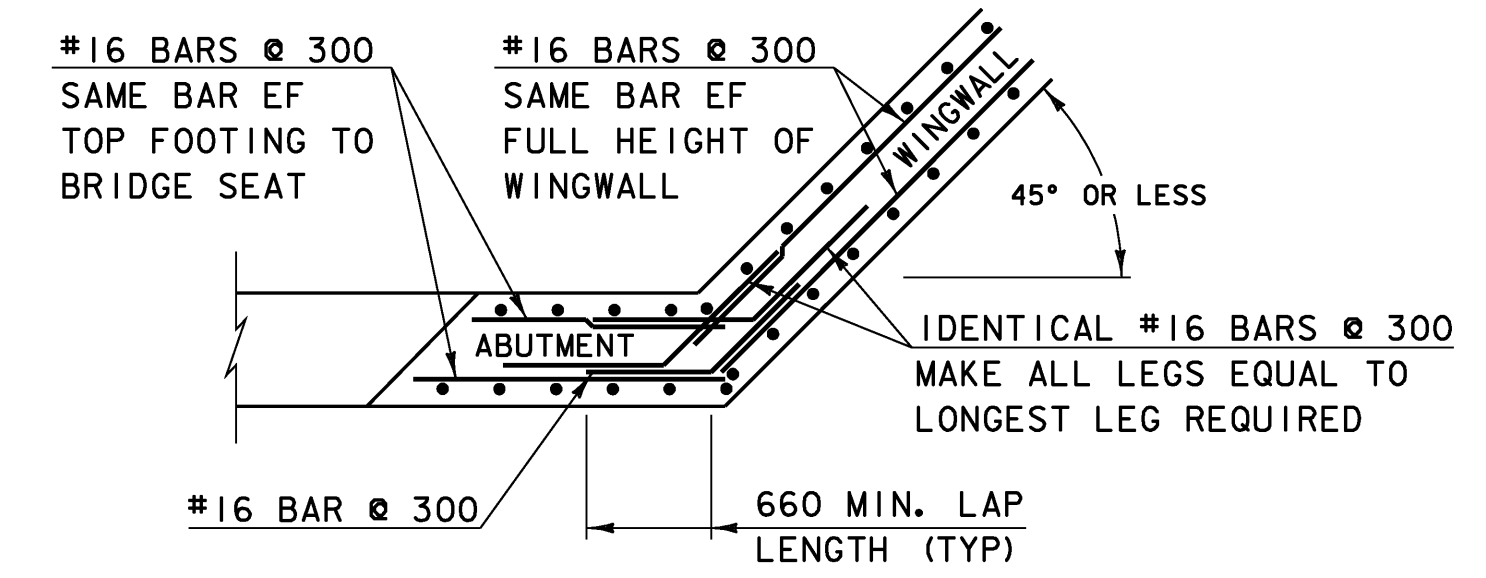
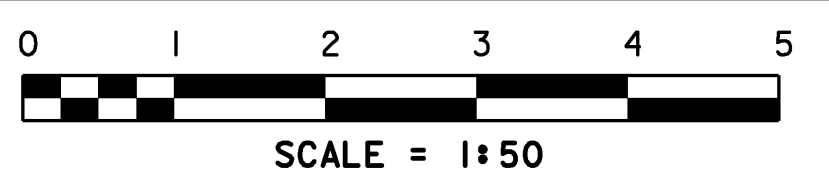


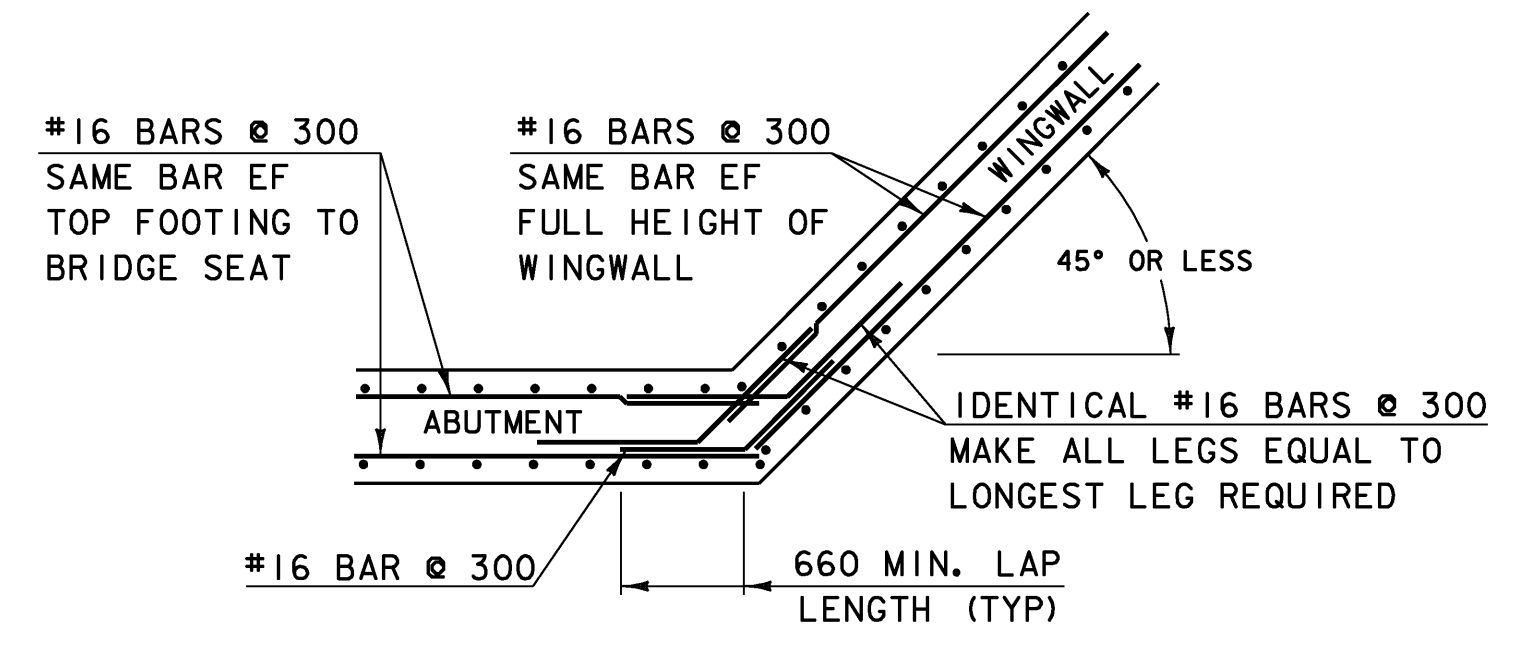
BR. 17 ABUTMENT #1 FOOTING PLAN



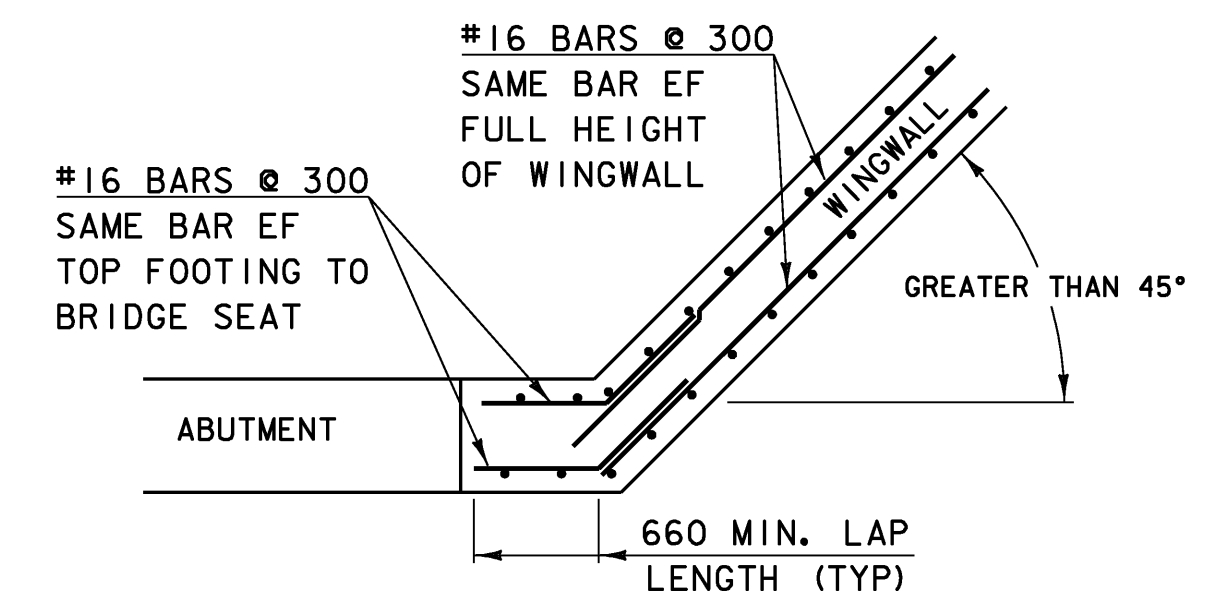
BR. 17 ABUTMENT #2 FOOTING PLAN



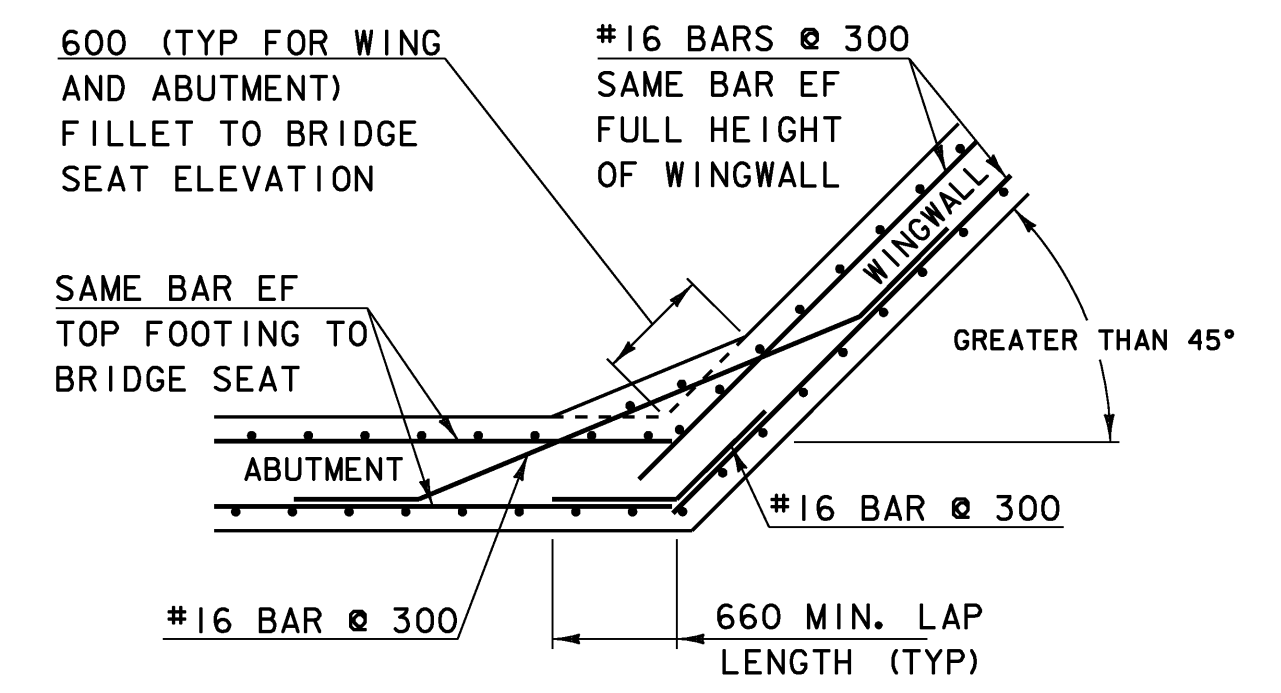
WINGWALL CORNER DETAIL FOR 45° OR LESS ABOVE BRIDGE SEAT (TYP) SCALE= 1:40



WINGWALL CORNER DETAIL FOR 45° OR LESS BELOW BRIDGE SEAT (TYP) SCALE= 1:40



WINGWALL CORNER DETAIL FOR GREATER THAN 45° ABOVE BRIDGE SEAT (TYP) SCALE= 1:40



WINGWALL CORNER DETAIL FOR GREATER THAN 45° BELOW BRIDGE SEAT (TYP) SCALE= 1:40

NOTES:
 NF = NEAR FACE
 FF = FAR FACE
 EF = EACH FACE
 ▲ = CUT TO FIT IN FIELD
 80mm CLEAR UNLESS OTHERWISE SPECIFIED ON PLANS
 ALL LAPS ARE 660mm UNLESS OTHERWISE SPECIFIED ON PLANS

PROJECT: BURKE	PROJECT NO.: BRZ 1447 (15)
DESIGN FILE NAME: se043br17sub.dgn	PLOT DATE: 10-MAR-2008
IPARM FILE NAME: se043br17ftg.i	DRAWN BY: E.L.RUSTAY
DESIGNED BY: E.L.RUSTAY	CHECKED BY: K.M.HIGGINS
SQUAD LEADER: C.P.WILLIAMS	BRIDGE #17 REINFORCEMENT DETAILS
	SHEET: 42 OF 81

