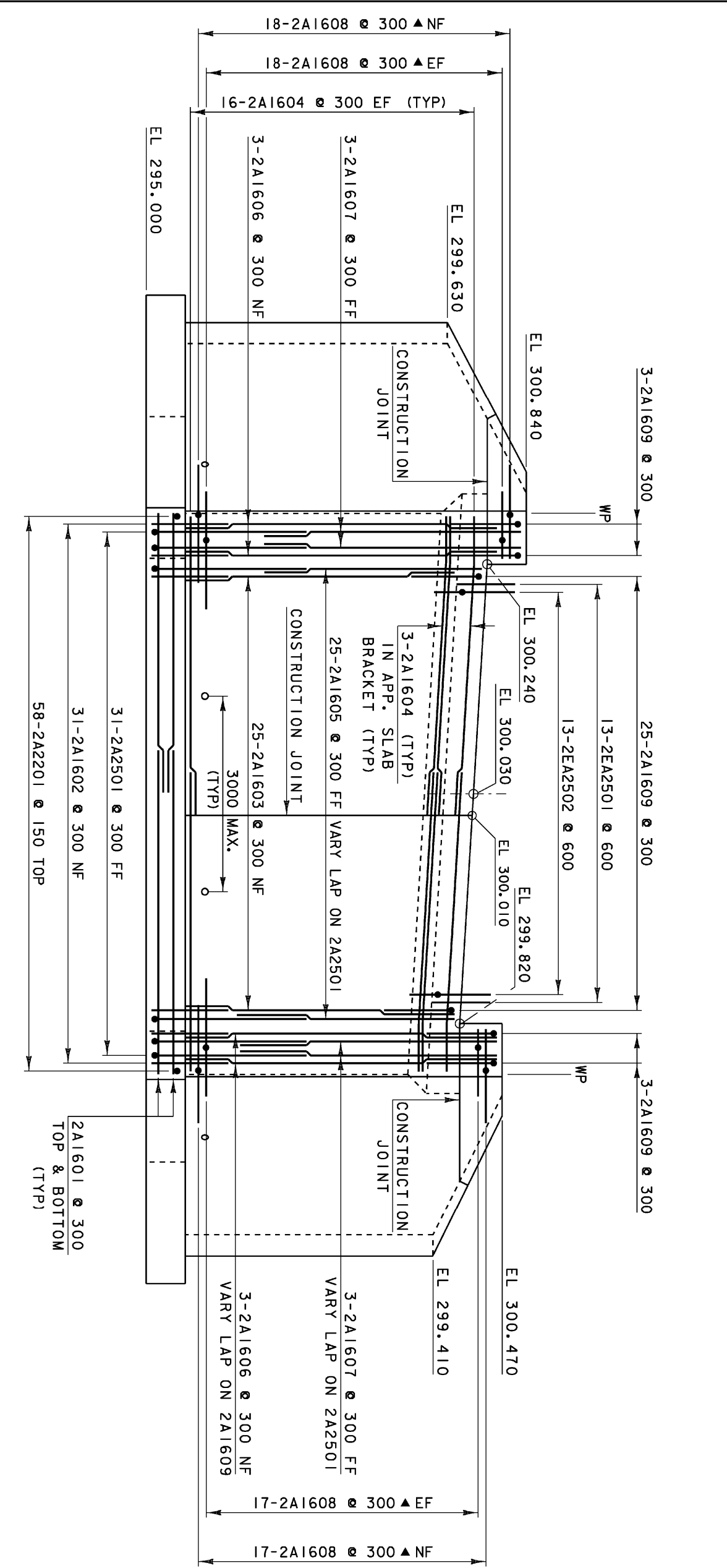
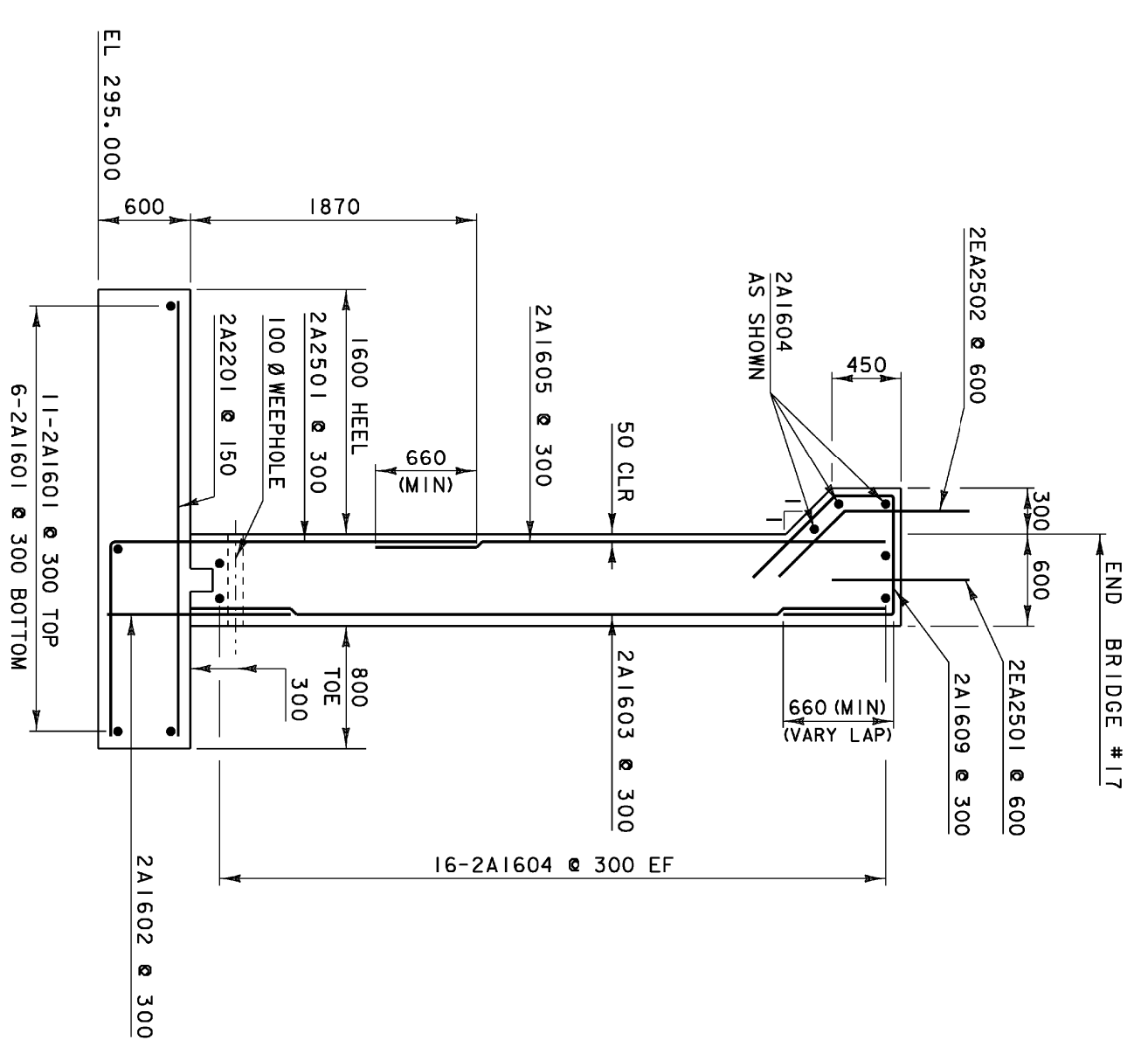


BR. 17 ABUTMENT #2 PLAN  
SCALE = 1:150



BR. 17 ABUTMENT #2 ELEVATION  
SCALE = 1:150



BR. 17 ABUTMENT #2 TYPICAL SECTION  
SCALE = 1:150

NOTES:  
 NF = NEAR FACE  
 FF = FAR FACE  
 EF = EACH FACE  
 ▲ = CUT TO FIT IN FIELD  
 80mm CLEAR UNLESS OTHERWISE SPECIFIED ON PLANS  
 ALL LAPS ARE 660mm UNLESS OTHERWISE SPECIFIED ON PLANS

PROJECT: BURKE	PROJECT NO. 1
DESIGN FILE NAME: 2003br17ab.dgn	BRZ 1447 (15)
IPAN FILE NAME: 2003br17ab.dgn	
DESIGNED BY: E.L. RUSTAY	DRANN BY: E.L. RUSTAY
SQUAD LEADER: C.P. WILLIAMS	CHECKED BY: K.M. HIGGINS
BRIDGE #17 ABUTMENT 2 DETAILS	SHEET: 41 OF 81