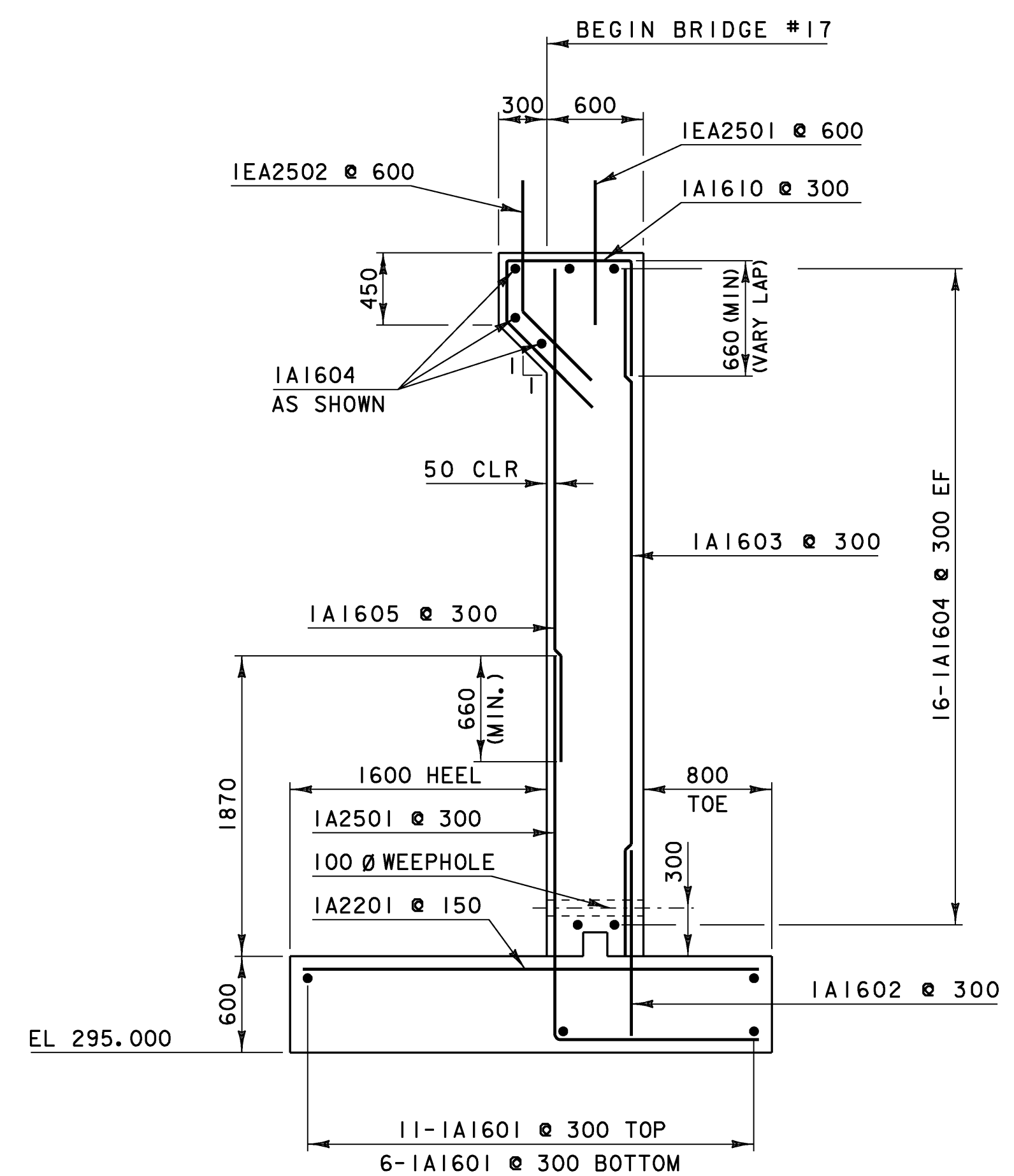
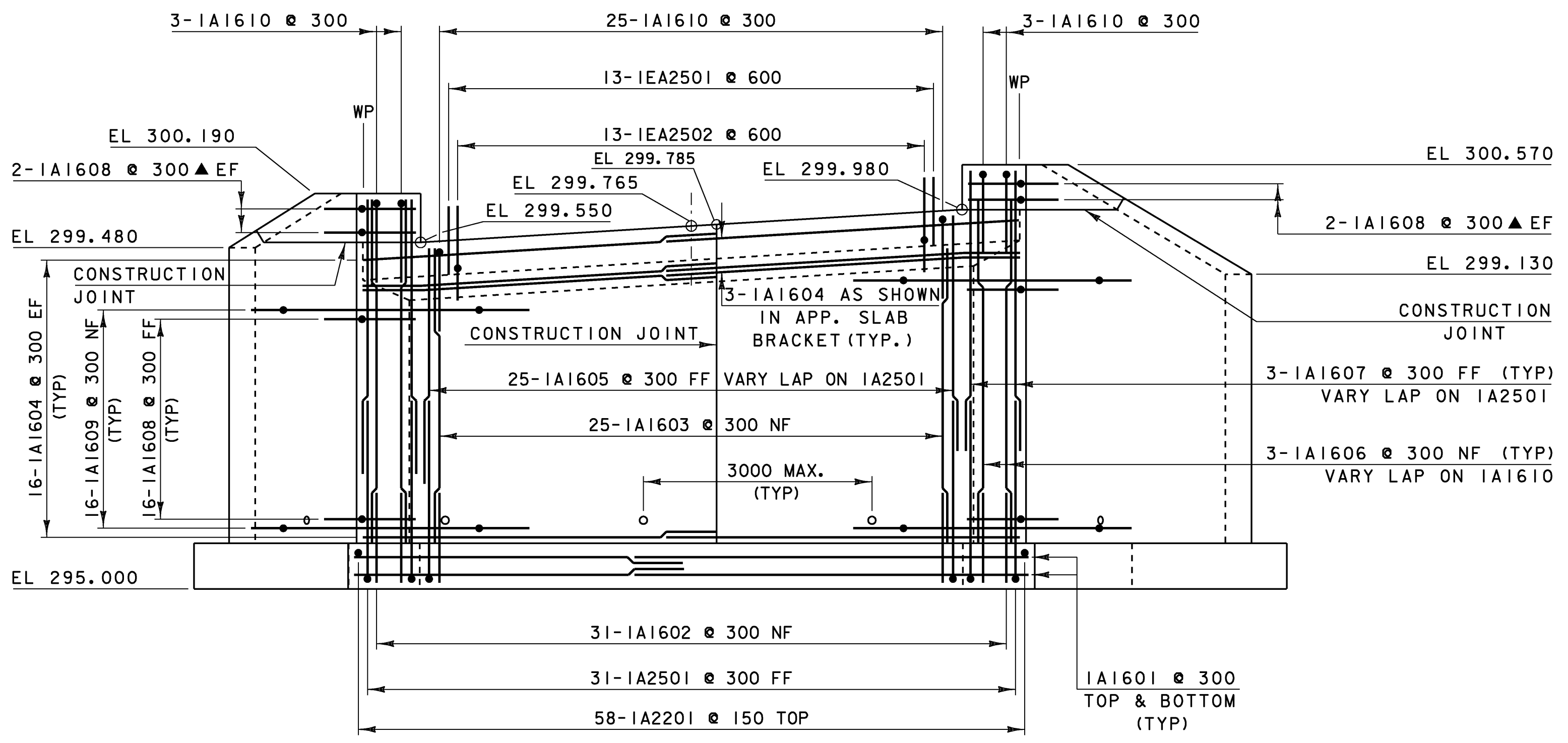


BR. 17 ABUTMENT #1 PLAN
SCALE = 1:50



BR. 17 ABUTMENT #1 TYPICAL SECTION
SCALE = 1:30



BR. 17 ABUTMENT #1 ELEVATION
SCALE = 1:50

NOTES:
 NF = NEAR FACE
 FF = FAR FACE
 EF = EACH FACE
 ▲ = CUT TO FIT IN FIELD
 80mm CLEAR UNLESS OTHERWISE SPECIFIED ON PLANS
 ALL LAPS ARE 660mm UNLESS OTHERWISE SPECIFIED ON PLANS

PROJECT: BURKE	PROJECT NO.: BRZ 1447 (15)
DESIGN FILE NAME: se043br17sub.dgn IPARM FILE NAME: se043br17abut1.i DESIGNED BY: E.L.RUSTAY SQUAD LEADER: C.P.WILLIAMS BRIDGE #17 ABUTMENT 1 DETAILS	PLOT DATE: 10-MAR-2008 DRAWN BY: E.L.RUSTAY CHECKED BY: K.M.HIGGINS SHEET: 40 OF 81