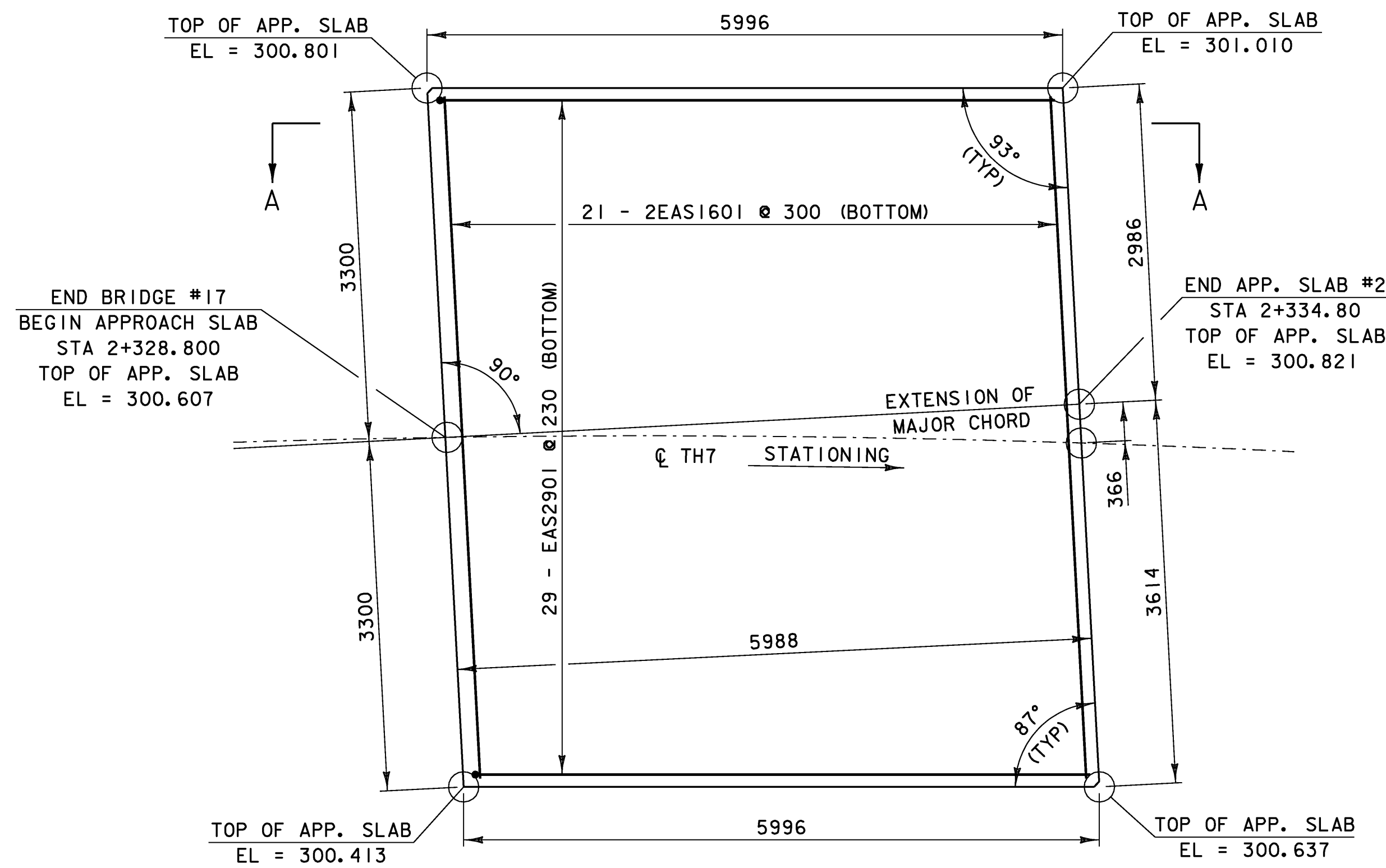
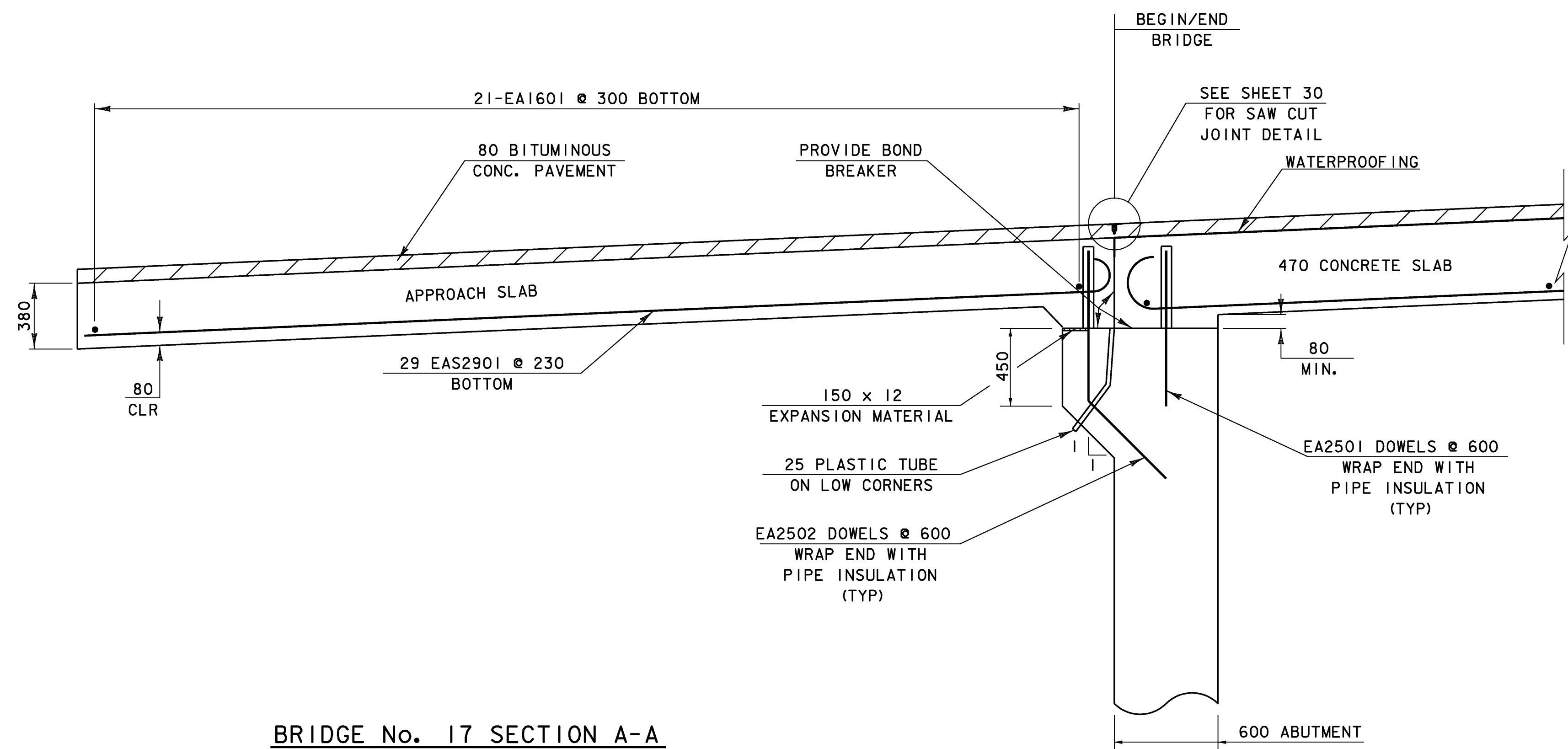


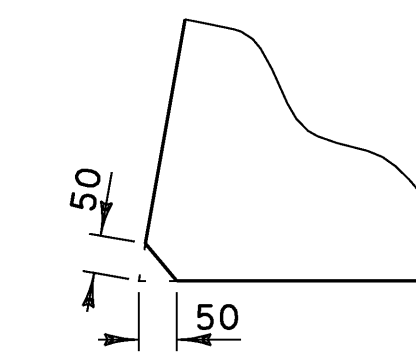
BRIDGE No. 17 APPROACH SLAB #1 PLAN
 0 1 2 3 4
 SCALE = 1:40



BRIDGE No. 17 APPROACH SLAB #2 PLAN
 0 1 2 3 4
 SCALE = 1:40



BRIDGE No. 17 SECTION A-A
 0 1 2
 SCALE = 1:20



ACUTE CORNER DETAIL
 0 0.5 1
 SCALE = 1:10

NOTES:

- NF = NEAR FACE
- FF = FAR FACE
- EF = EACH FACE
- ▲ = CUT TO FIT IN FIELD

80mm CLEAR UNLESS OTHERWISE SPECIFIED ON PLANS

ALL LAPS ARE 660mm UNLESS OTHERWISE SPECIFIED ON PLANS

PROJECT: BURKE	PROJECT NO.: BRZ 1447 (15)
DESIGN FILE NAME: se043s1abs.dgn	PLOT DATE: 10-MAR-2008
IPARM FILE NAME: se043br17aps.i	DRAWN BY: E.L. RUSTAY
DESIGNED BY: E.L. RUSTAY	CHECKED BY: K.M. HIGGINS
SQUAD LEADER: C.P. WILLIAMS	SHEET: 39 OF 81
BR. 17 APPROACH SLAB DETAILS	