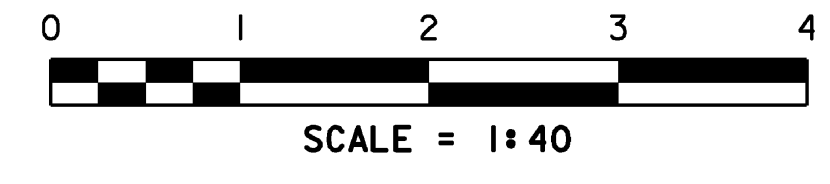
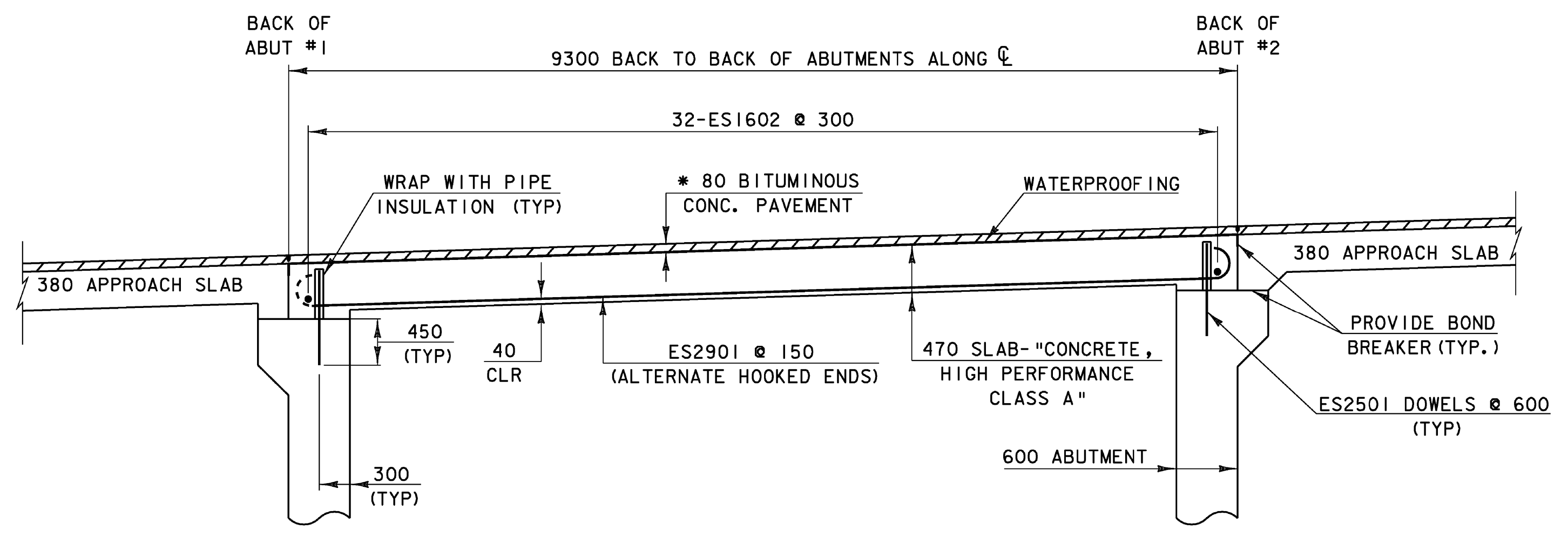


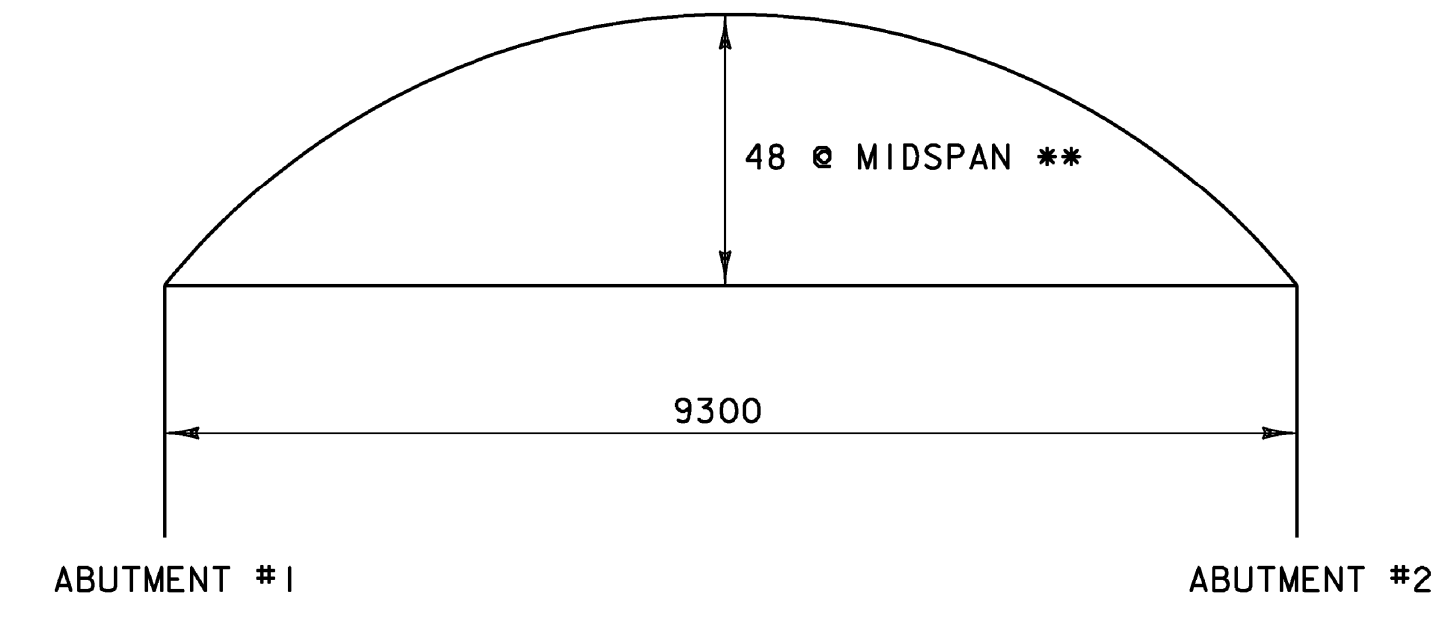
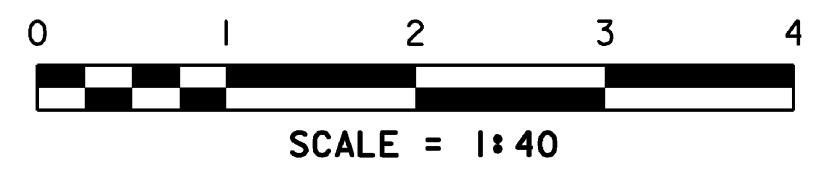
BRIDGE No. 17 TYPICAL SECTION



\* 40 TYPE III OR IV OVER 40 TYPE III OR IV

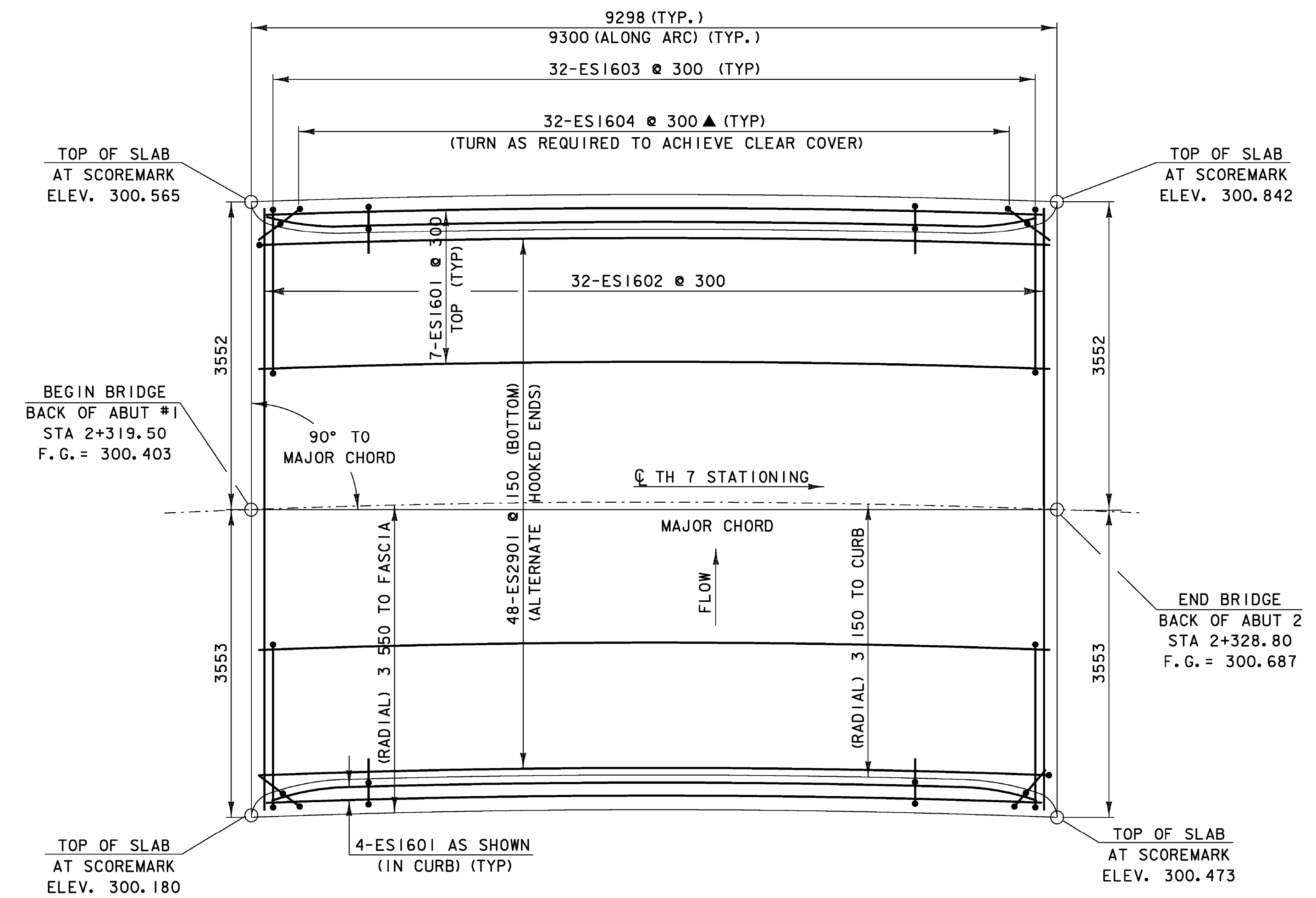


BRIDGE No. 17 ELEVATION ALONG Q ROADWAY

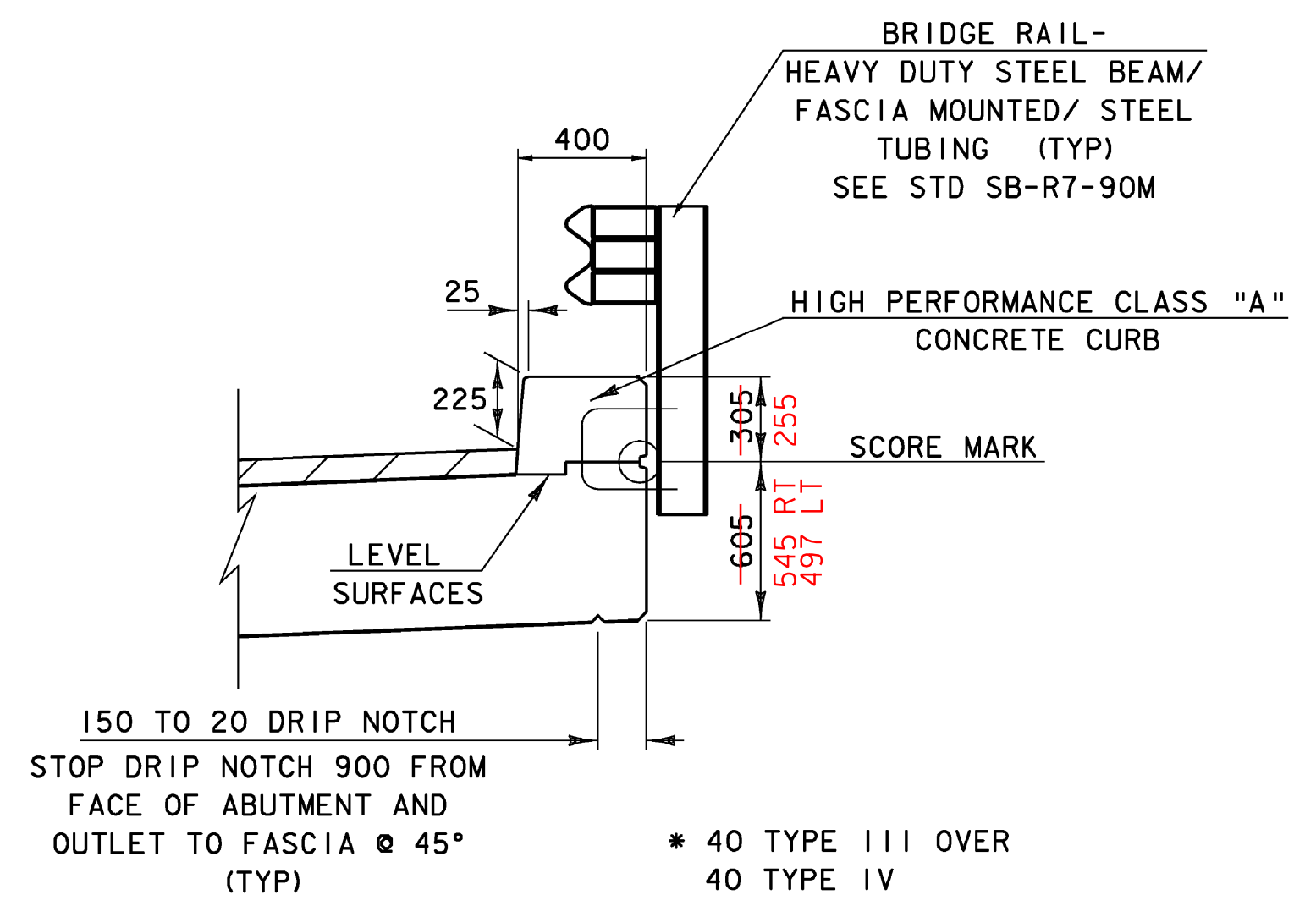
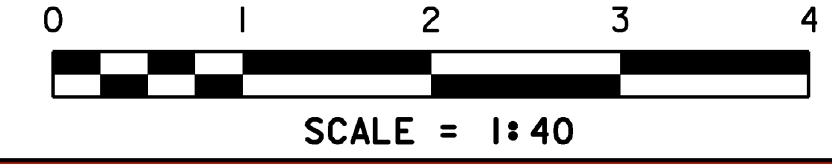


\*\* SET CONSTRUCTION FORMS TO THIS CAMBER CAMBER SHALL APPROXIMATE A CIRCULAR CURVE

BRIDGE No. 17 CAMBER  
NTS



BRIDGE No. 17 SLAB PLAN VIEW



BRIDGE No. 17 CURB AND RAIL DETAIL



NOTES:  
 NF = NEAR FACE  
 FF = FAR FACE  
 EF = EACH FACE  
 ▲ = CUT TO FIT IN FIELD  
 80mm CLEAR UNLESS OTHERWISE SPECIFIED ON PLANS  
 ALL LAPS ARE 660mm UNLESS OTHERWISE SPECIFIED ON PLANS

PROJECT: <b>BURKE</b>	PROJECT NO.: <b>BRZ 1447 (15)</b>
DESIGN FILE NAME: se043slabs.dgn	PLOT DATE: 10-MAR-2008
IPARM FILE NAME: se043br17slab.i	DESIGNED BY: E.L.RUSTAY
SQUAD LEADER: C.P.WILLIAMS	DRAWN BY: E.L.RUSTAY
BR. 17 SUPERSTRUCTURE DETAILS	CHECKED BY: K.M.HIGGINS
	SHEET: 38 OF 81