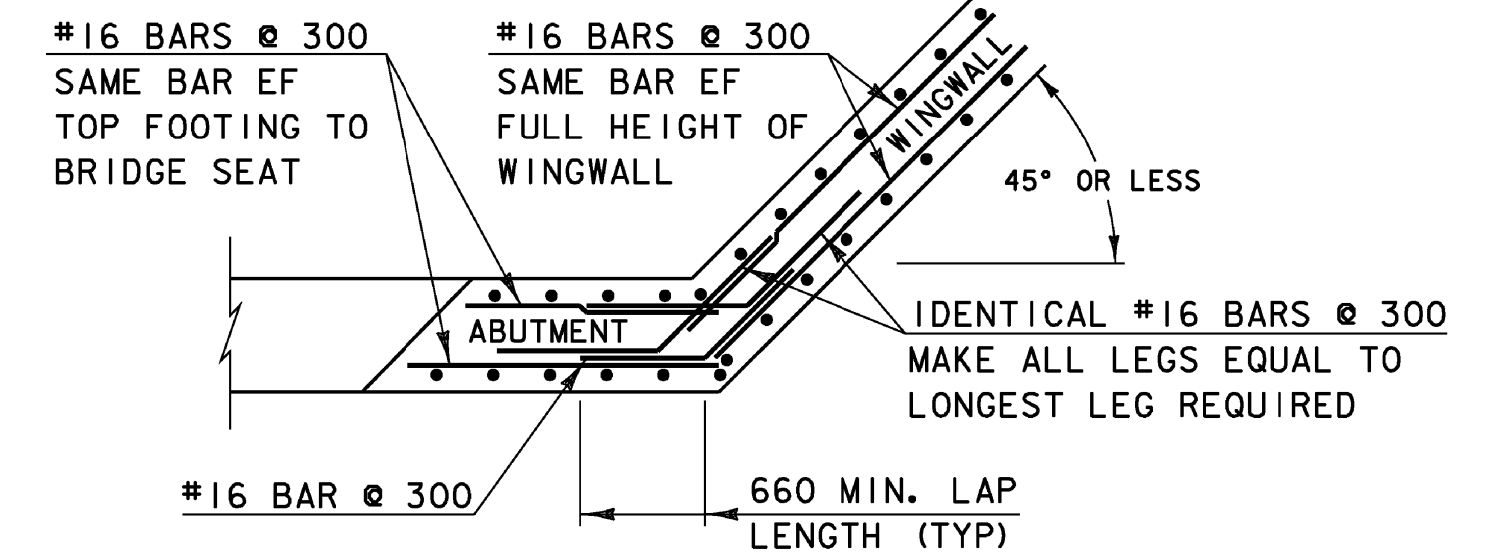
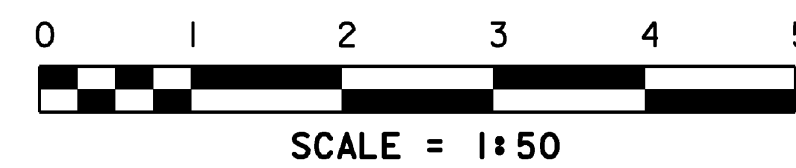
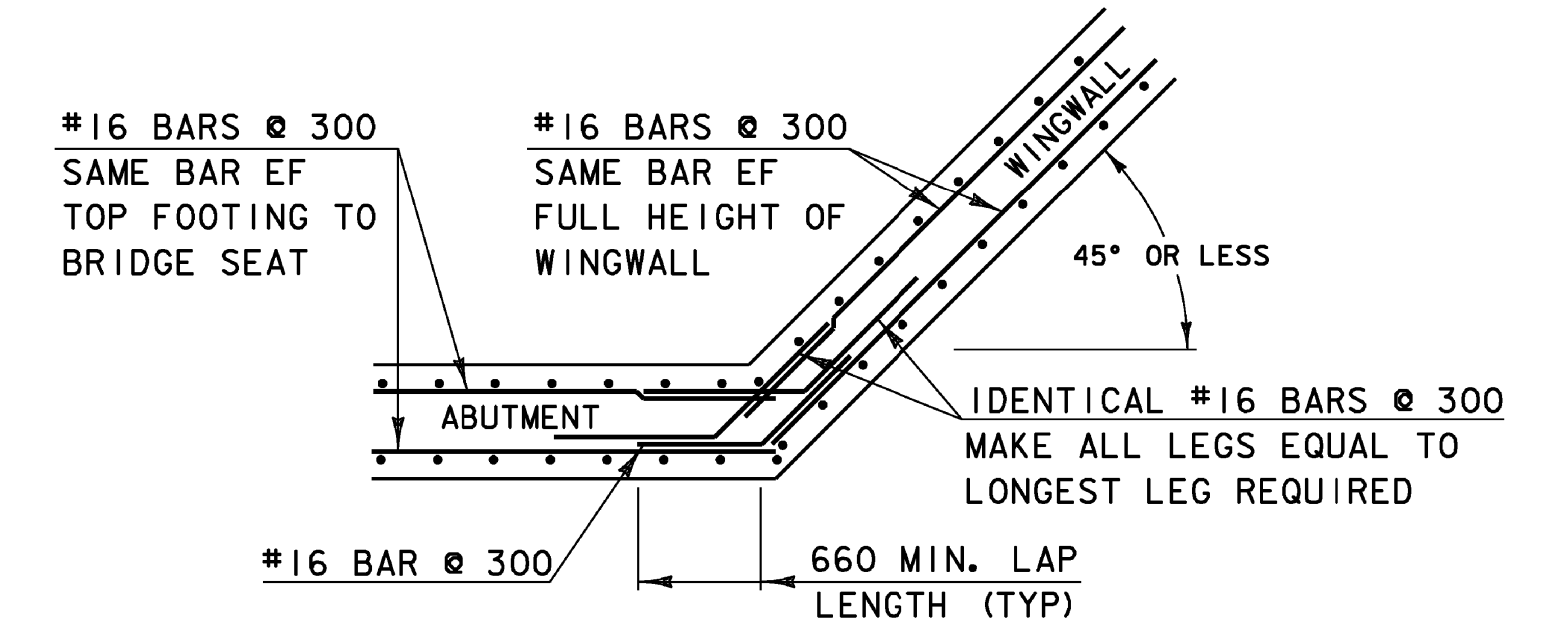


BR. 16 ABUTMENT #1 FOOTING PLAN



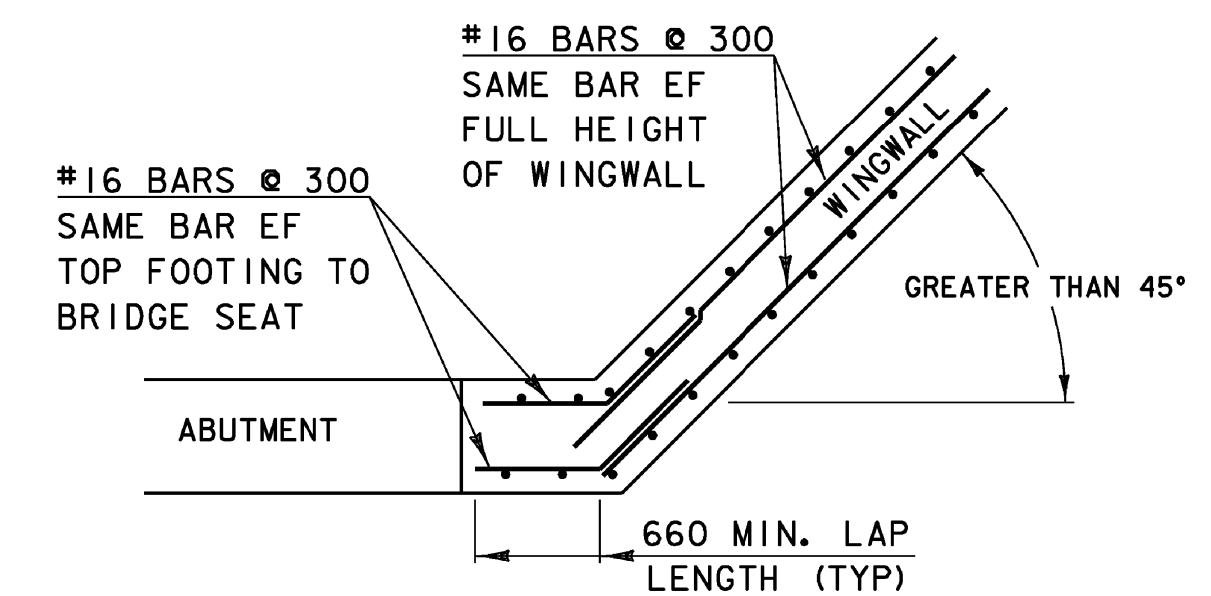
WINGWALL CORNER DETAIL FOR 45° OR LESS ABOVE BRIDGESEAT (TYP)

SCALE = 1:40



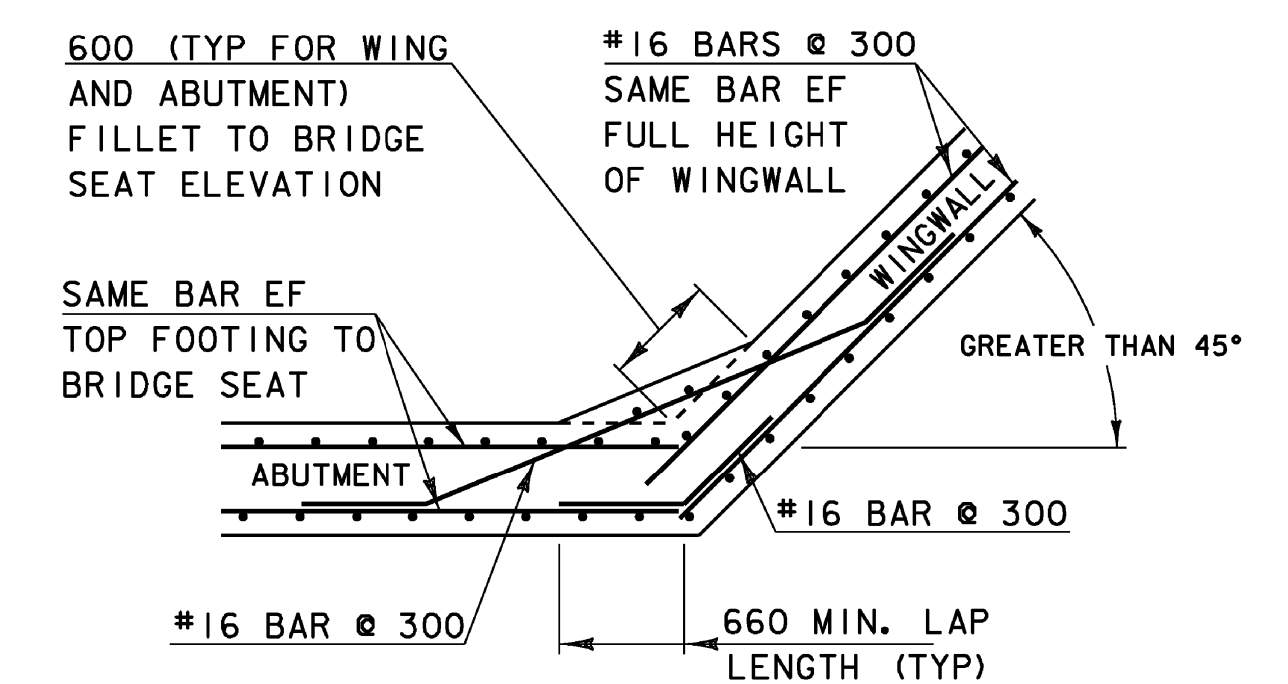
WINGWALL CORNER DETAIL FOR 45° OR LESS BELOW BRIDGESEAT (TYP)

SCALE = 1:40



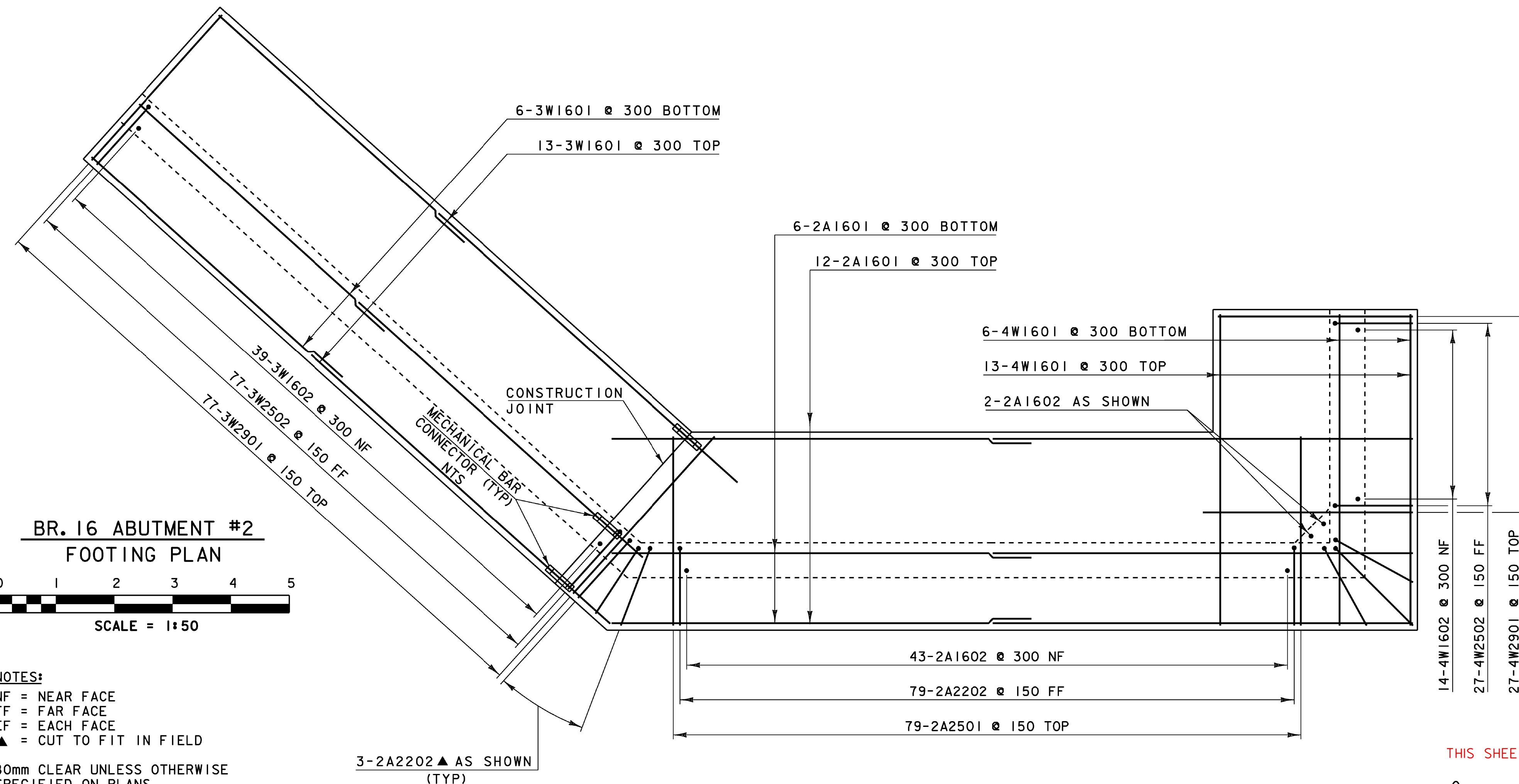
WINGWALL CORNER DETAIL FOR GREATER THAN 45° ABOVE BRIDGESEAT (TYP)

SCALE = 1:40

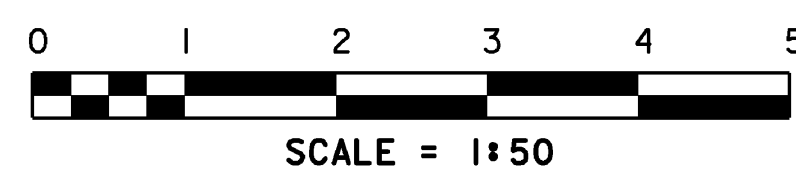


WINGWALL CORNER DETAIL FOR GREATER THAN 45° BELOW BRIDGESEAT (TYP)

SCALE = 1:40



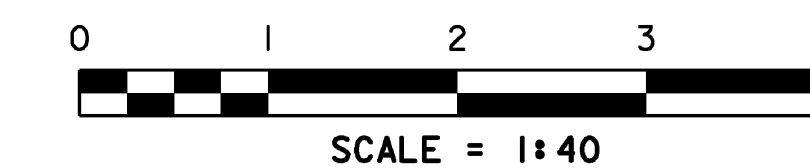
BR. 16 ABUTMENT #2 FOOTING PLAN



NOTES:
 NF = NEAR FACE
 FF = FAR FACE
 EF = EACH FACE
 ▲ = CUT TO FIT IN FIELD

80mm CLEAR UNLESS OTHERWISE SPECIFIED ON PLANS

ALL LAPS ARE 660mm UNLESS OTHERWISE SPECIFIED ON PLANS



SEE VALUE ENGINEERED DESIGN.
 THIS SHEET NOT USED FOR RECORD PLANS.

PROJECT: BURKE	PROJECT NO.: BRZ 1447 (15)
DESIGN FILE NAME: se043br16sub.dgn	PLOT DATE: 10-MAR-2008
IPARM FILE NAME: se043br16ftg.i	DRAWN BY: E.L.RUSTAY
DESIGNED BY: E.L.RUSTAY	CHECKED BY: K.M.HIGGINS
SQUAD LEADER: C.P.WILLIAMS	
BRIDGE #16 REINFORCEMENT DETAILS	SHEET: 35 OF 81