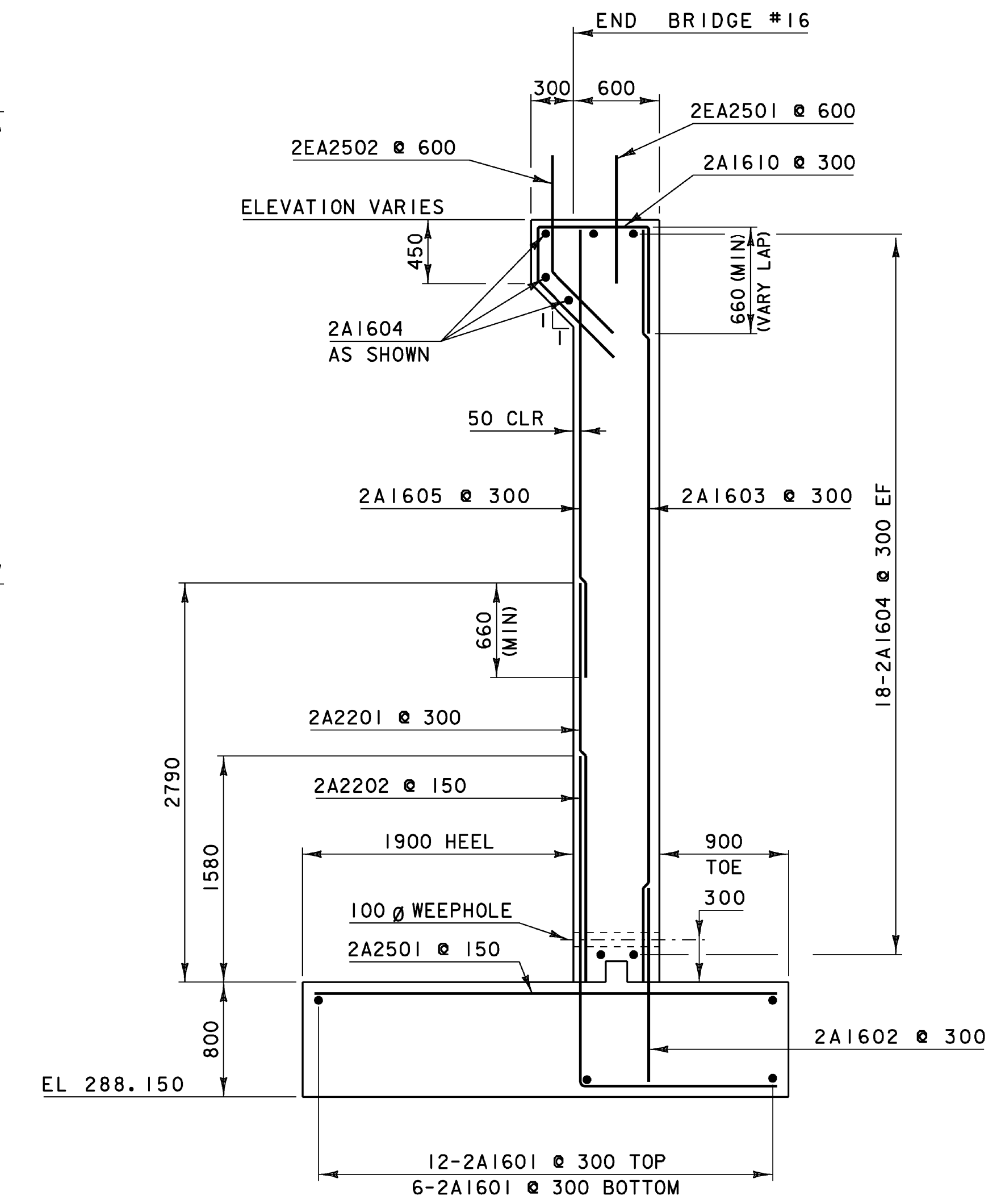


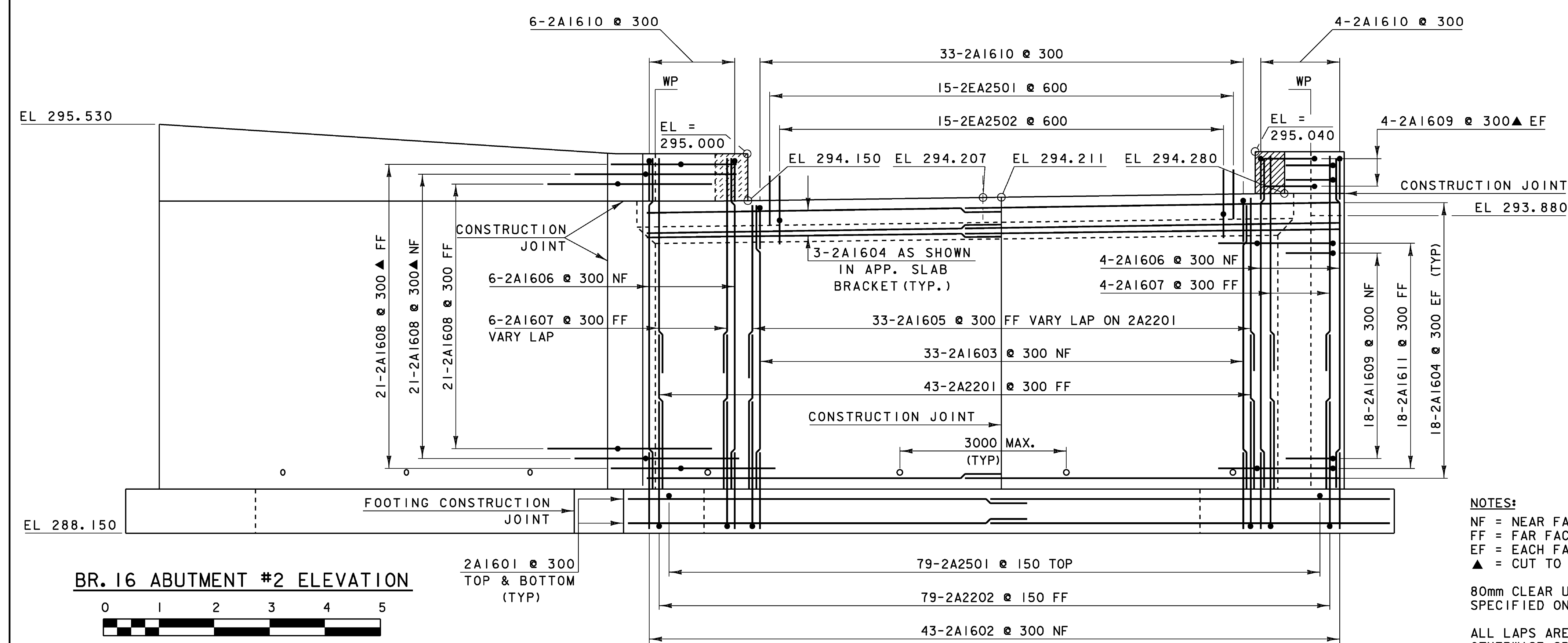
BR. 16 ABUTMENT #2 PLAN

SCALE = 1:50



BR. 16 ABUTMENT #2 TYPICAL SECTION

SCALE = 1:30



BR. 16 ABUTMENT #2 ELEVATION

SCALE = 1:50

NOTES:  
 NF = NEAR FACE  
 FF = FAR FACE  
 EF = EACH FACE  
 ▲ = CUT TO FIT IN FIELD

80mm CLEAR UNLESS OTHERWISE SPECIFIED ON PLANS  
 ALL LAPS ARE 660mm UNLESS OTHERWISE SPECIFIED ON PLANS

NOTE:  
 LAST FASCIA MOUNTED RAIL AT ABUTMENT #2 NEAR WINGWALL #4 WILL REQUIRE A NOTCH-OUT.  
 SEE VALUE ENGINEERED DESIGN. THIS SHEET NOT USED FOR RECORD PLANS.

PROJECT: <b>BURKE</b>	PROJECT NO.: <b>BRZ 1447 (15)</b>
DESIGN FILE NAME: se043br16sub.dgn	PLOT DATE: 10-MAR-2008
IPARM FILE NAME: se043br16abut2.i	DRAWN BY: E.L.RUSTAY
DESIGNED BY: E.L.RUSTAY	CHECKED BY: K.M.HIGGINS
SQUAD LEADER: C.P.WILLIAMS	SHEET: 34 OF 81
BRIDGE #16 ABUTMENT 2 DETAILS	