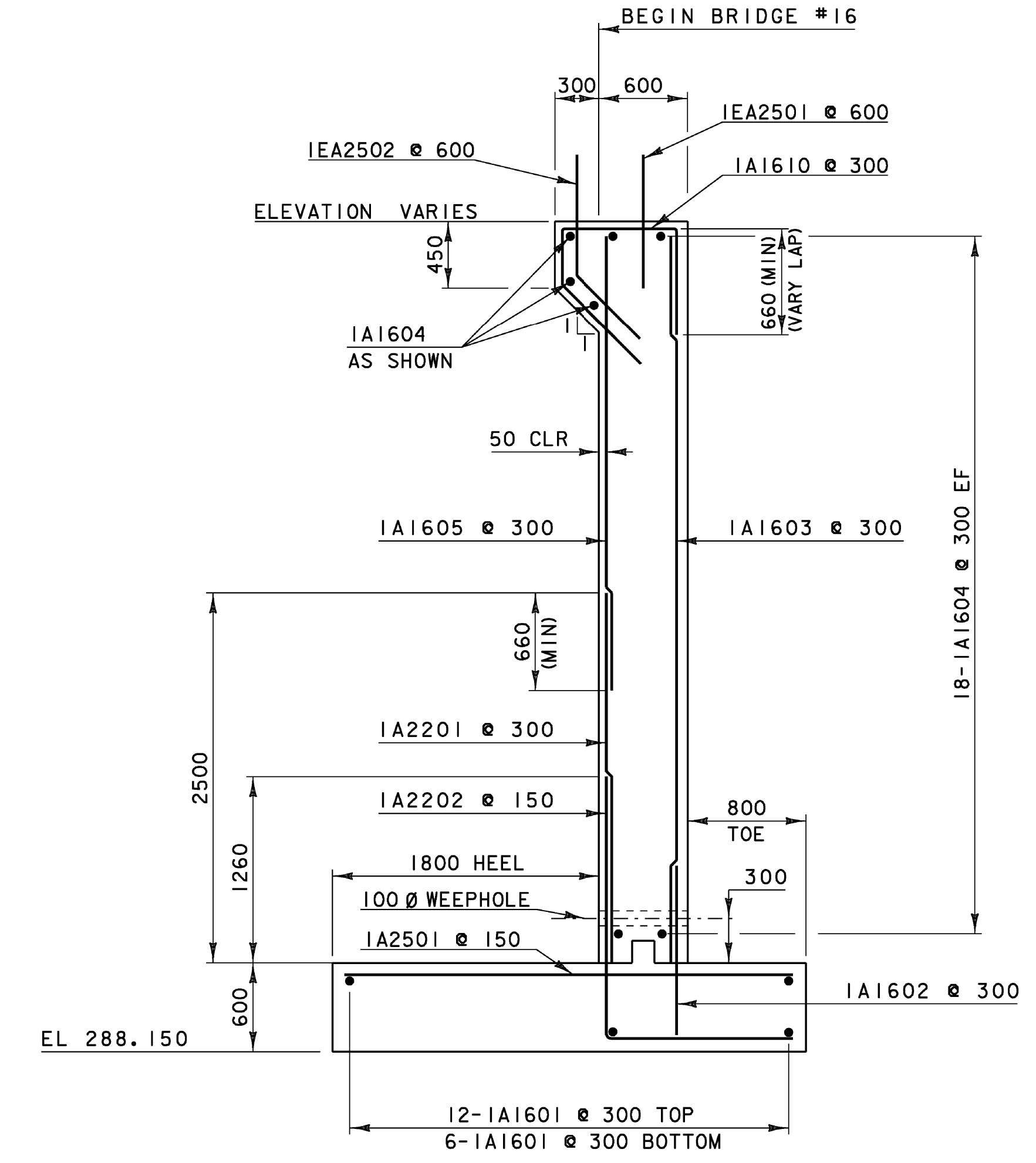
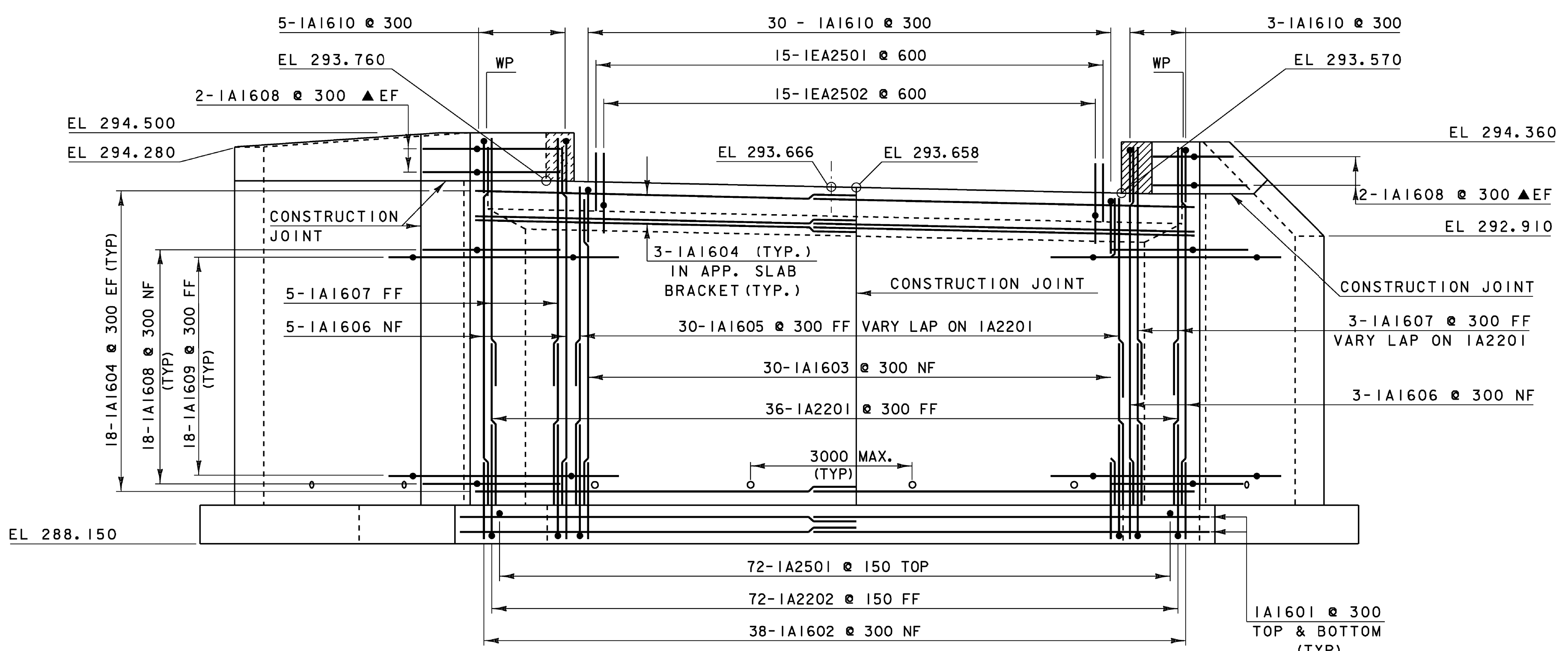


BR. 16 ABUTMENT #1 PLAN
 0 1 2 3 4 5
 SCALE = 1:50



BR. 16 ABUTMENT #1 TYPICAL SECTION
 0 1 2 3
 SCALE = 1:30



BR. 16 ABUTMENT #1 ELEVATION
 0 1 2 3 4 5
 SCALE = 1:50

NOTE: SEE SHEET 30 FOR LOCATING THE BRIDGE PLAQUE

NOTES:
 NF = NEAR FACE
 FF = FAR FACE
 EF = EACH FACE
 ▲ = CUT TO FIT IN FIELD
 80mm CLEAR UNLESS OTHERWISE SPECIFIED ON PLANS
 ALL LAPS ARE 660mm UNLESS OTHERWISE SPECIFIED ON PLANS

SEE VALUE ENGINEERED DESIGN. THIS SHEET NOT USED FOR RECORD PLANS.

PROJECT: BURKE	PROJECT NO.: BRZ 1447 (15)
DESIGN FILE NAME: se043br16sub.dgn	PLOT DATE: 10-MAR-2008
IPARM FILE NAME: se043br16abu+1.i	DRAWN BY: E. L. RUSTAY
DESIGNED BY: E. L. RUSTAY	CHECKED BY: K. M. HIGGINS
SQUAD LEADER: C. P. WILLIAMS	BRIDGE #16 ABUTMENT 1 DETAILS
	SHEET: 33 OF 81