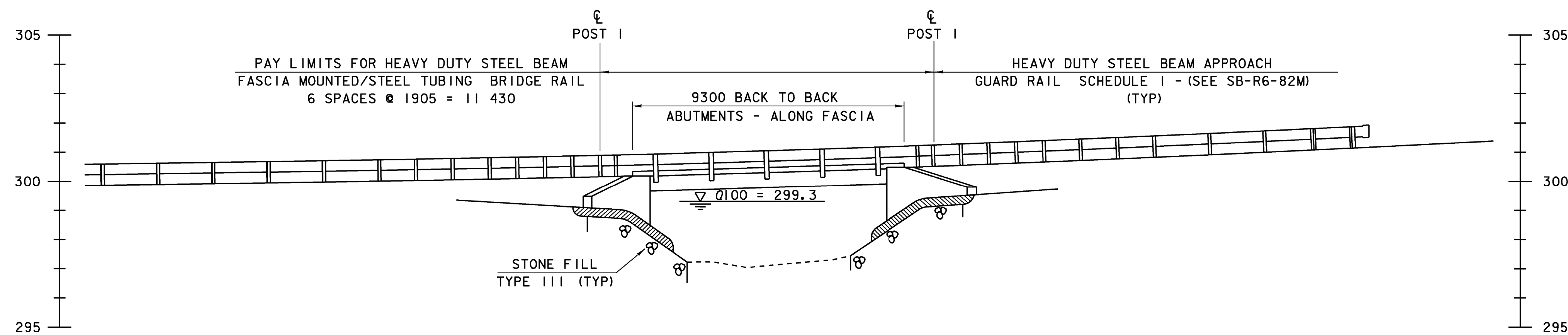
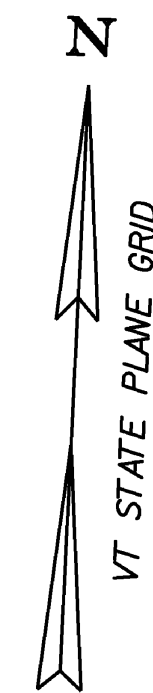


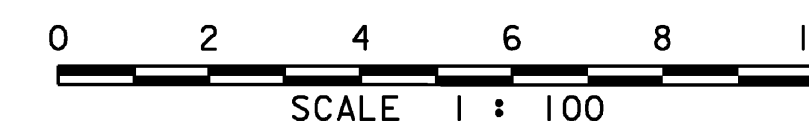
BRIDGE #17 PLAN

SCALE 1 : 100



BRIDGE #17 ELEVATION AT FASCIA

SCALE 1 : 100



| | |
|--------------|------------|
| DATUM | |
| VERTICAL | NAVD 88 |
| HORIZONTAL | NAD83 (92) |

| | |
|---|---------------------------------------|
| PROJECT: BURKE | PROJECT NO. : BRZ 1447 (15) |
| DESIGN FILE NAME: str4/87e043/se043br17pe.dgn | PLOT DATE: 10-MAR-2008 |
| IPARM FILE NAME: se043br17pe.i | SURVEY DATE: 12/95 |
| SURVEYED BY: A. MEYERS | DRAWN BY: M. GAGULIC |
| SQUAD LEADER: C.P. WILLIAMS | SHEET: 29 OF 81 |
| BRIDGE #17 PLAN & ELEVATION | |