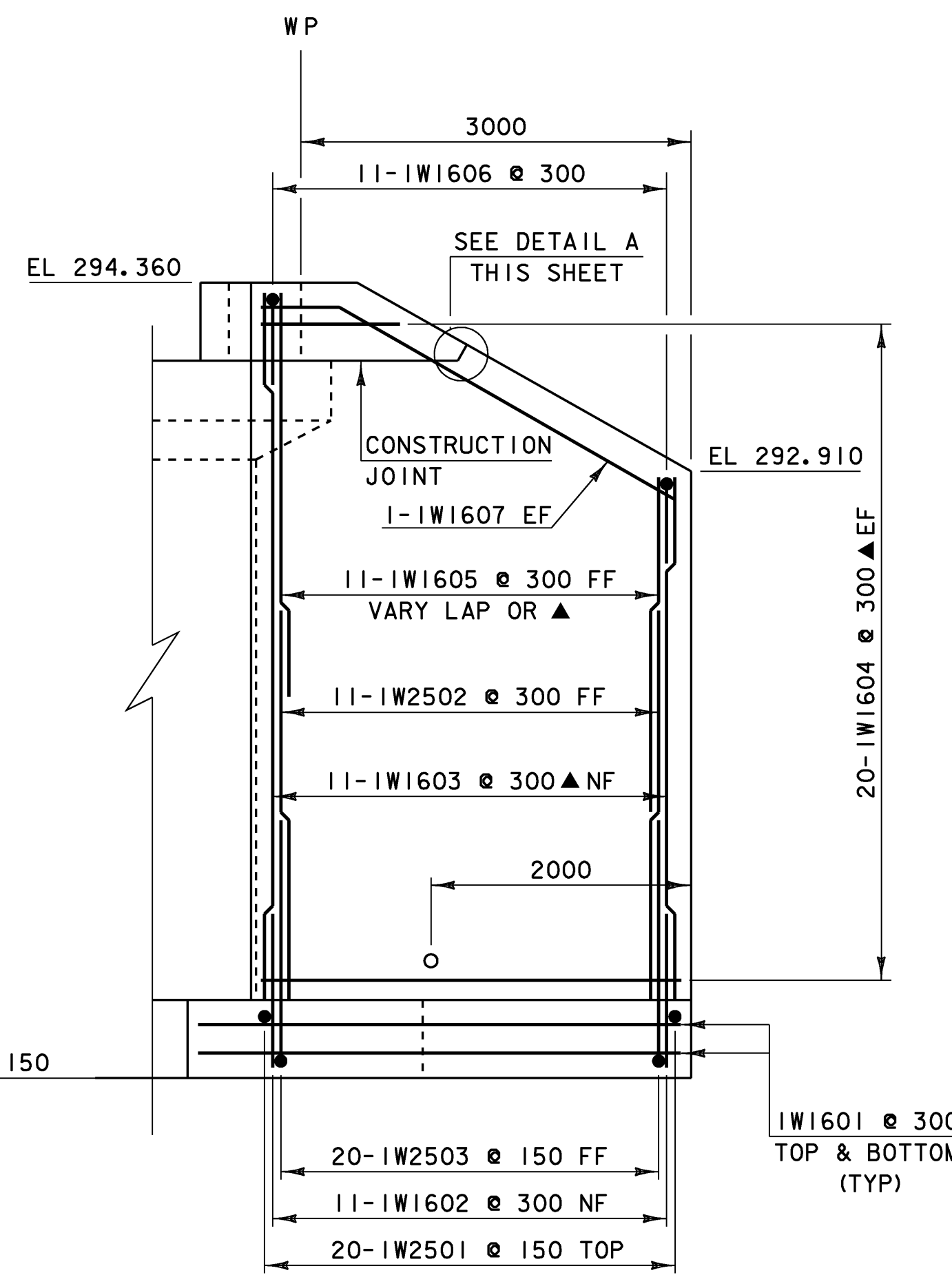
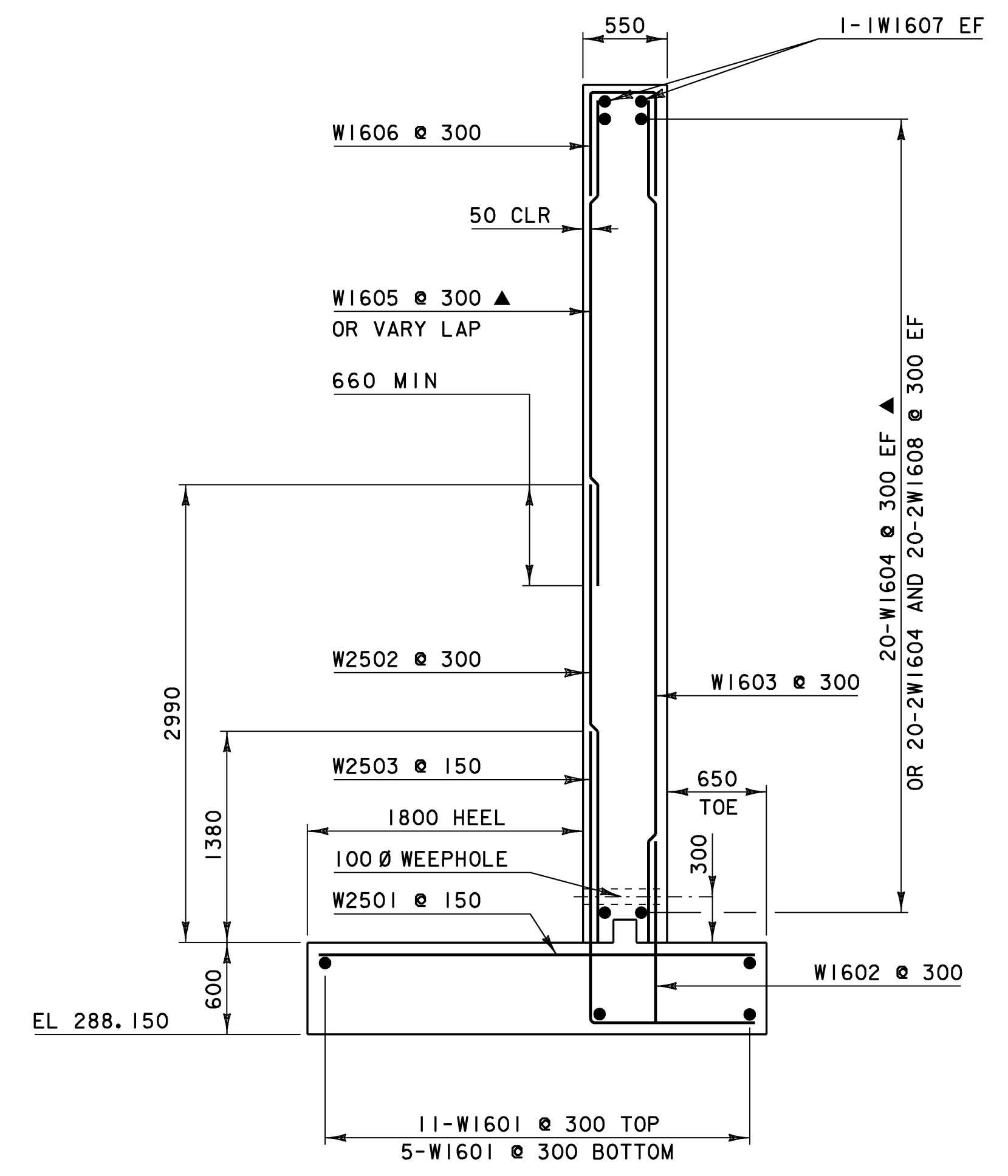


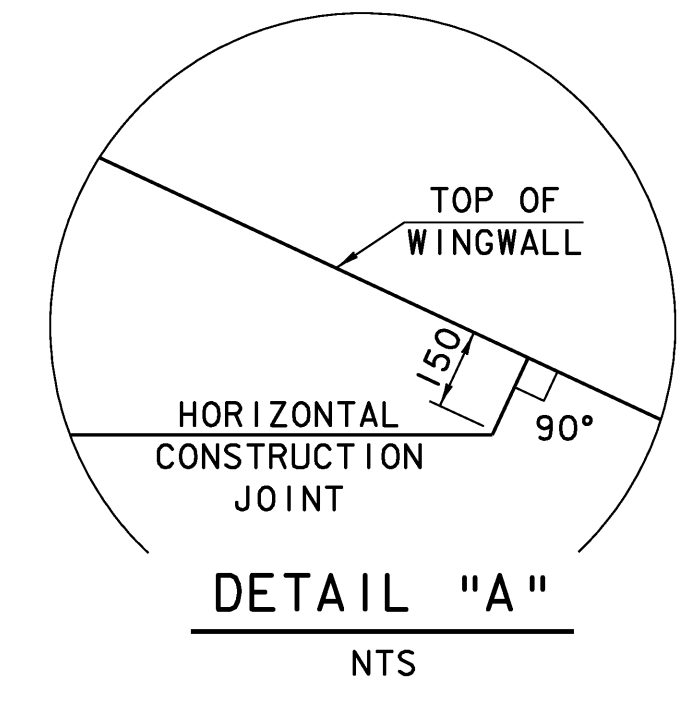
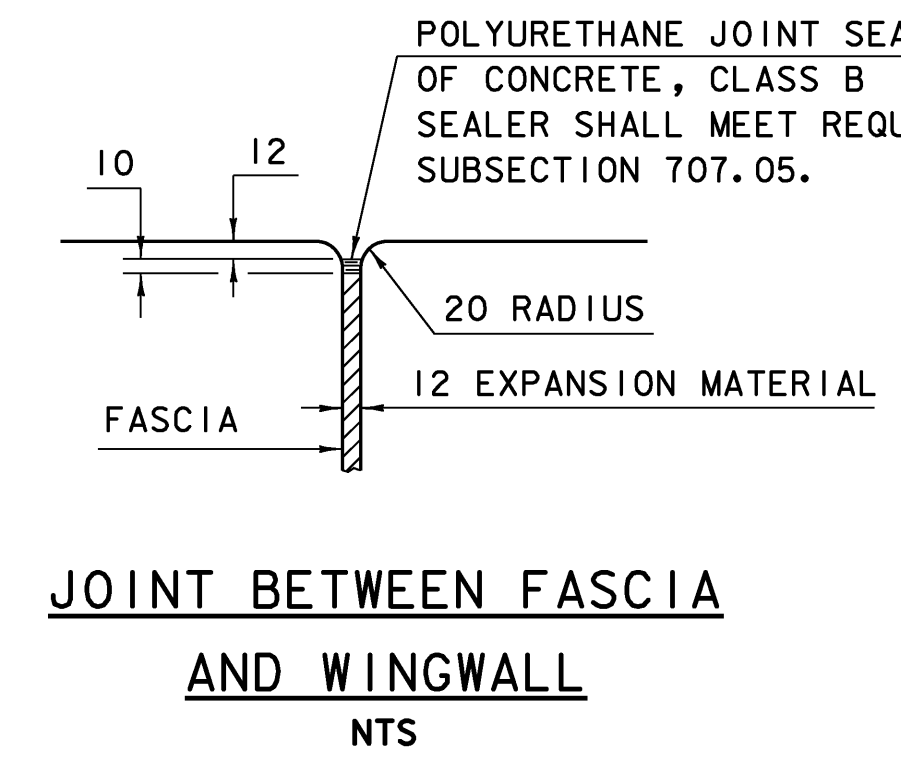
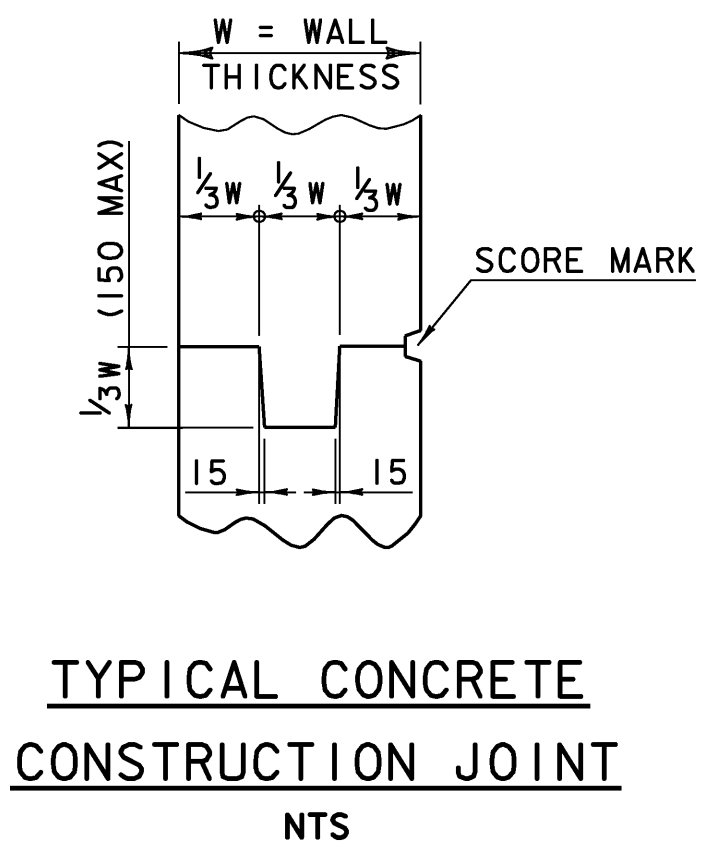
**WW #2 ELEVATION**  
 SCALE = 1:40



**WW #1 ELEVATION**  
 SCALE = 1:40



**WW #1 & #2 TYPICAL SECTION**  
 SCALE = 1:30



**NOTES:**  
 NF = NEAR FACE  
 FF = FAR FACE  
 EF = EACH FACE  
 ▲ = CUT TO FIT IN FIELD  
 80mm CLEAR UNLESS OTHERWISE SPECIFIED ON PLANS  
 ALL LAPS ARE 660mm UNLESS OTHERWISE SPECIFIED ON PLANS

NOTE: SEE BRIDGE #16 ABUTMENT #1 ELEVATION FOR CORNER BARS

PROJECT: <b>BURKE</b>	PROJECT NO.: <b>BRZ 1447 (15)</b>
DESIGN FILE NAME: se043br16sub.dgn	PLOT DATE: 13-MAR-2008
IPARM FILE NAME: se043br16ww1x2.i	DRAWN BY: E.L. RUSTAY
DESIGNED BY: E.L. RUSTAY	CHECKED BY: K.M. HIGGINS
SQUAD LEADER: C.P. WILLIAMS	BRIDGE #16 WINGWALLS 1 & 2 DETAILS SHEET: 36 OF 81